

Atlas Metal
INDUSTRIES, INC.
SELF-LEVELING DISPENSERS

REPLACEMENT PARTS
"ELEVATORS"

ATLAS METAL INDUSTRIES, INC.
introduces the All Stainless Steel
ELEVATOR BY LEVELMATIC
as Replacement Parts or Installed in the
"LEVELMATIC" DISPENSER LINE

PARTS DISTRIBUTORS & SERVICE AGENCIES

RE: Replacement "Elevators" for existing Self Leveling Equipment

ATLAS METAL INDUSTRIES, INC., manufacturers of exceptional quality food service equipment for over 40 years, has added to its product line LEVELMATIC Self-Leveling Dispensers.

The addition of the LEVELMATIC line of products creates a full service line of food handling, serving and dispensing equipment for a wide range of institutional and commercial applications in the food service industry. The LEVELMATIC line brings many years of experience in the field of self leveling in the implementation and the production of the "ELEVATOR" as a self leveling device.

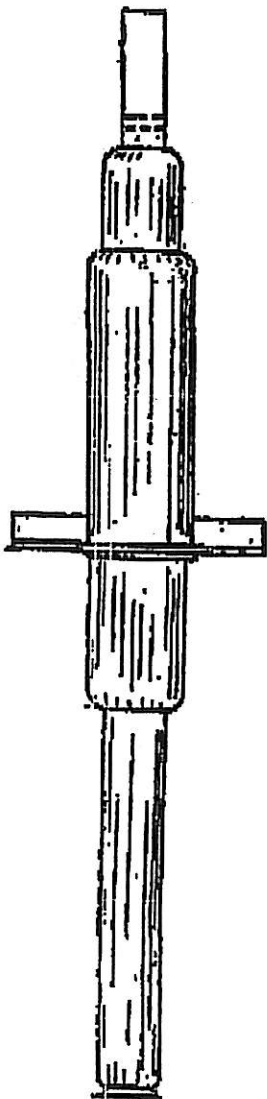
The "ELEVATOR" all stainless steel construction is built to last with non-fatiguing compression springs that are factory calibrated to your specific dispensing needs. And the "ELEVATOR" is now being offered as a replacement part for existing self leveling dispensers using the "ELEVATOR".

The "ELEVATOR" can be used in milk, ice cream, tray and rack dispensers to replace existing parts that were original equipment not all stainless steel construction, as is the "LEVELMATIC ELEVATOR".

The enclosed DATA SHEETS outline what information is required to order replacement "ELEVATORS" that will be sold as complete with springs or complete assemblies without springs, or springs only. We do not recommend using LEVELMATIC ELEVATOR parts with existing parts from original equipment.

As the need arises for new self leveling tray, rack or beverage dispensers or replacement "ELEVATORS" for existing equipment give the "LEVELMATIC" division of ATLAS METAL INDUSTRIES, INC. a call or contact your local factory representative.

E. DWIGHT PERKINS
Sales/Quotes





COMPLETE THE INFORMATION THAT CORRESPONDS TO YOUR MODEL TYPE FOR SPRINGS.

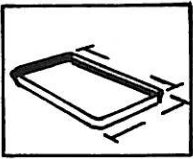
TRAYS

CAMBRO _____ SILITE _____ DALLASWARE _____

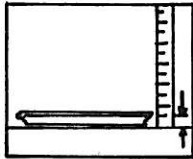
PROLON _____ TRAEX _____ OTHER _____

RECTANGULAR _____ TRAPEZOID _____

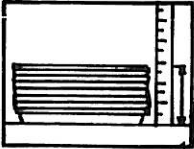
PLASTIC _____ FIBERGLASS _____



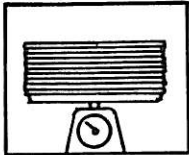
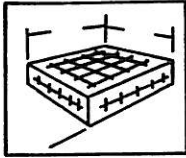
LENGTH _____ INCHES
WIDTH _____ INCHES
HEIGHT OF 1 TRAY IS _____ INCHES



HEIGHT OF 11 TRAYS STACKED IS _____ INCHES FROM TABLE TOP

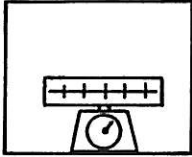


WEIGHT OF 10 TRAYS IS _____ lbs. _____ ozs.

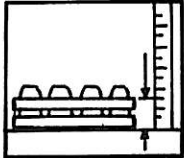



LENGTH _____ INCHES
WIDTH _____ INCHES
HEIGHT _____ INCHES

WEIGHT OF FULL RACK IS _____ lbs. _____ ozs.



HEIGHT OF 2 RACKS IS _____ INCHES



RACKS
for cups and glasses

RABURN _____ VOLLRATH _____ STERWOOD _____

METRO _____ OTHER _____

PLASTIC _____ WIRE _____

Milk/Beverage Dispensers

Container size / L-_____, W-_____, H _____

1/2 pint _____ other _____

Dispenser is?

mobile _____ built-in _____

Items dispensed from?

Aluminum tray _____

Wire basket _____ Milk crate _____

Elevator assembly is?

Complete w/springs _____

Complete w/o springs _____

Ice Cream Dispensers

Container size / dia. _____

5 oz. _____ other _____

Dispenser is?

mobile _____ built-in _____

Items dispensed from?

Aluminum tray _____

Wire basket _____

Elevator assembly is?

Complete w/springs _____

Complete w/o springs _____

Ice Dispensers

Dispenser is?

mobile _____ built-in _____

drop-in _____

Capacity lbs. _____

Elevator assembly is?

Complete w/springs _____

Complete w/o springs _____

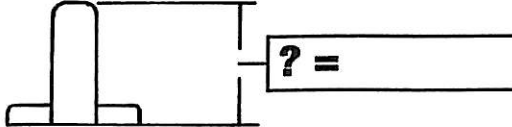


SELF-LEVELING DISPENSERS

This data sheet indicates the diameters of tubing currently used to produce elevators, please indicate the length of your tubing next to its corresponding part.

****Exact dimensions or sample required to duplicate part.**

TUBING
1 3/4" dia.

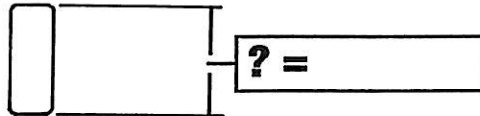


TUBING STYLES FOR "TEE ASSEMBLY"
VARIED WITH THE TYPE OF UNIT IN
WHICH THEY WERE INSTALLED.
NOTE TYPE WITH DIMENSIONS.

OUTER SPRINGS
1 5/8" dia.

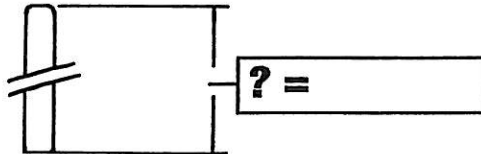


TUBING
1 5/8" dia.



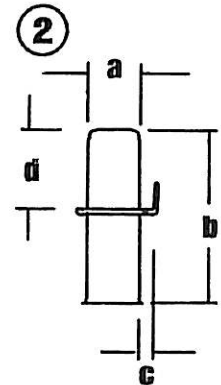
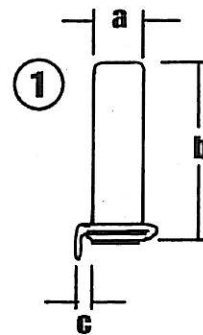
a. _____ b. _____

TUBING
1 1/8" dia.

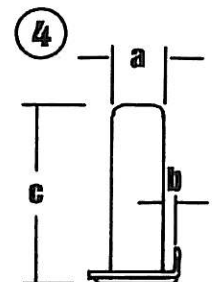
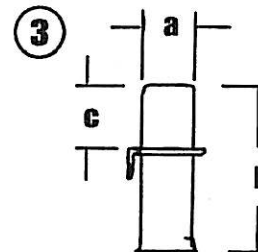
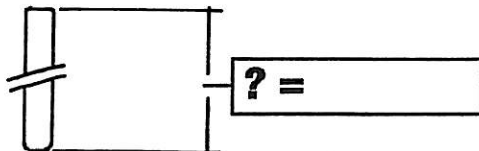


c. _____ d. _____

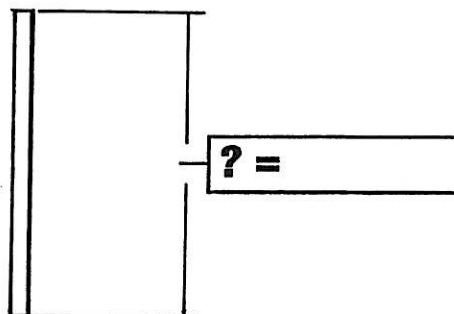
INNER SPRING
7/8" dia.



TUBING
1" dia.



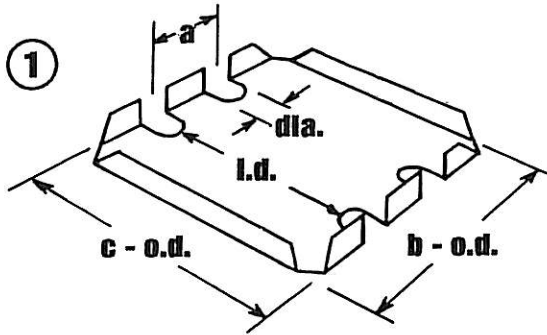
TUBING
5/8" dia.



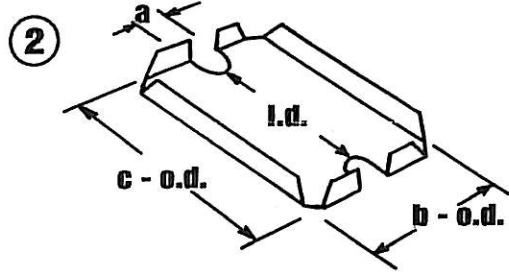


SELF-LEVELING DISPENSERS

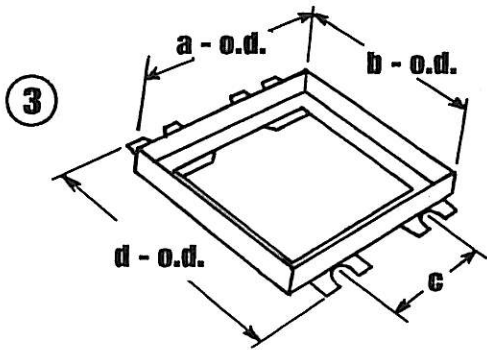
EXACT DIMENSIONS OR SAMPLE REQUIRED TO DUPLICATE PART(S)!



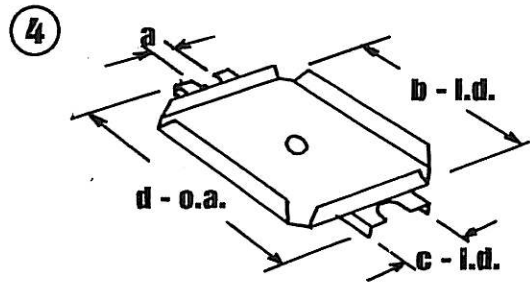
TRAY/RACK or ICE S/S



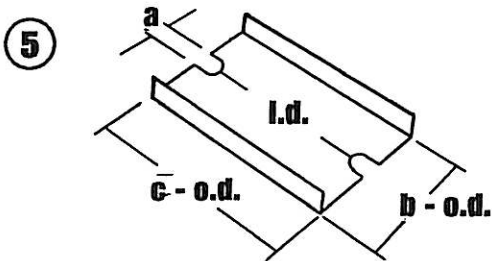
TRAY/RACK or ICE S/S



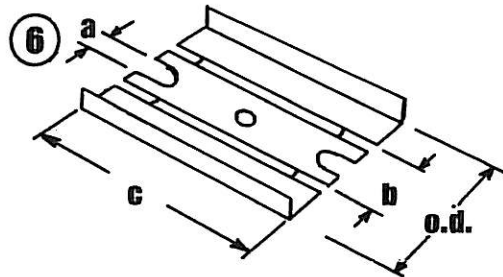
TRAY/RACK or ICE S/S



DAIRY CASE S/S



**MILK/ICE CREAM BOTTOM
DIVIDER ALUMINUM**



**MILK/ICE CREAM BOTTOM
DIVIDER ALUMINUM**

CARRIER TRAYS VARIED WITH THE TYPE OF UNIT IN WHICH THEY WERE INSTALLED
NOTE THE TYPE WITH THE DIMENSIONS

_____ a _____ b _____ c _____ d _____