



MG, SG, SGC Grill Models Parts List



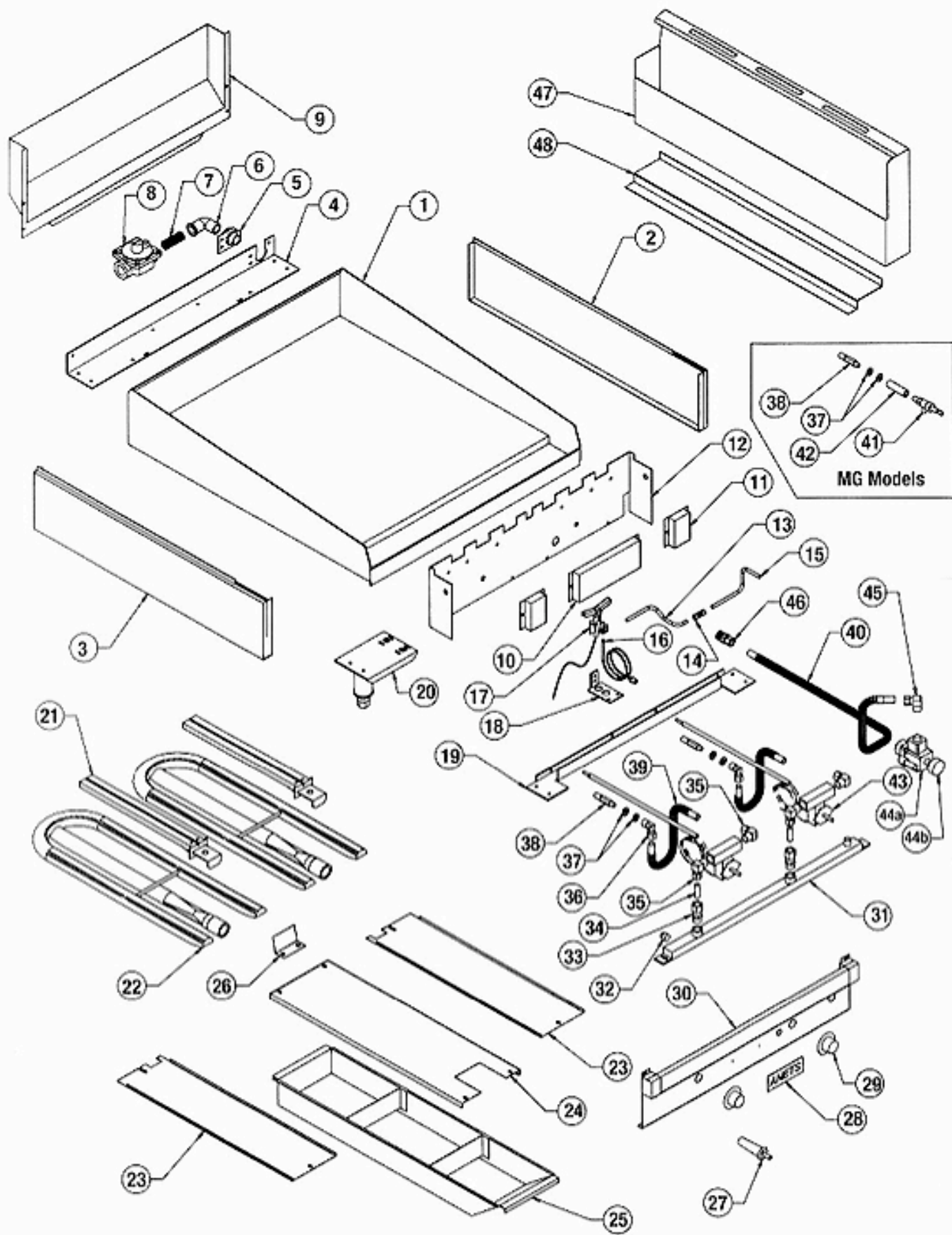
SCG 24 x 48 Shown



ANETSBERGER BROTHERS, INC. • 180 N. Anets Drive • Northbrook, IL 60062
Sales/Service: (847) 272-0771 • Fax: (847) 272-1943 • Corporate: (847) 272-0770

800-837-2638

www.anetsberger.com • sales@anetsberger.com





MG, SG, SGC Grill Models Parts List

| ITEM NO. | DESCRIPTION | MODEL | GRILL SIZE | PART NO. | | |
|----------|---------------------------|--------|---------------------|-----------|--------------|-----------|
| 1 | STANDARD GRILL PLATE | SG, MG | 24X24 | E4783-01 | | |
| | | | 24X36 | E4783-02 | | |
| | | | 24X48 | E4783-03 | | |
| | | | 24X60 | E4783-04 | | |
| | | | 24X72 | E4783-05 | | |
| 1 | CHROME GRILL PLATE | SGC | 24X24 | E4783-07 | | |
| | | | 24X36 | E4783-08 | | |
| | | | 24X48 | E4783-09 | | |
| | | | 24X60 | E4783-10 | | |
| | | | 24X72 | E4783-11 | | |
| 1 | STANDARD GRILL PLATE | SG, MG | 30X24 | E4978-01 | | |
| | | | 30X36 | E4978-02 | | |
| | | | 30X48 | E4978-03 | | |
| | | | 30X60 | E4978-04 | | |
| | | | 30X72 | E4978-05 | | |
| 1 | CHROME GRILL PLATE | SGC | 30X24 | E4978-07 | | |
| | | | 30X36 | E4978-08 | | |
| | | | 30X48 | E4978-09 | | |
| | | | 30X60 | E4978-10 | | |
| | | | 30X72 | E4978-11 | | |
| 2 | RIGHT SIDE PANEL | ALL | 24 | D5671-00 | | |
| | RIGHT SIDE PANEL | ALL | 30 | D5664-00 | | |
| 3 | LEFT SIDE PANEL | ALL | 24 | D5672-00 | | |
| | LEFT SIDE PANEL | ALL | 30 | D5663-00 | | |
| 4 | REAR BURNER SUPPORT | ALL | 24X24, 30X24 | D5615-00 | | |
| | | | 24X36, 30X36 | D5683-00 | | |
| | | | 24X48, 30X48 | E4839-00 | | |
| | | | 24X60, 30X60 | E4851-00 | | |
| | | | 24X72, 30X72 | E4872-00 | | |
| 5 | INLET PIPE | ALL | ALL | B13124-00 | | |
| 6 | STREET ELBOW 3/4 | ALL | ALL | P8825-18 | | |
| 7 | CLOSE NIPPLE 3/4 | ALL | ALL | P8825-08 | | |
| 8 | REGULATOR (NAT GAS) | ALL | ALL | P8904-03 | | |
| | REGULATOR (LP GAS) | ALL | ALL | P8904-04 | | |
| 9 | FLUE | ALL | 24X24, 30X24 | D5778-01 | | |
| | | | 24X36, 30X36 | D5778-02 | | |
| | | | 24X48, 30X48 | D5778-03 | | |
| | | | 24X60, 30X60 | D5778-04 | | |
| | | | 24X72, 30X72 | D5778-05 | | |
| 10 | FRONT BAFFLE | ALL | 24X24, 30X24 | C10063-01 | | |
| | | | 24X36, 30X36 | C10063-02 | | |
| | | | 24X48, 30X48 | | | |
| | | | 24X60, 30X60 | | | |
| | | | 24X72, 30X72 | | | |
| 10 | FRONT BAFFLE (WITH SLOTS) | ALL | 24X48, 30X48 | C10169-00 | | |
| | | | 24X60, 30X60 | | | |
| | | | 24X72, 30X72 | | | |
| 11 | FRONT BAFFLE | ALL | 24X24, 30X24 | C10063-00 | | |
| | | | 24X36, 30X36 | | | |
| | | | 24X48, 30X48 | | | |
| | | | FRONT BAFFLE, RIGHT | ALL | 24X60, 30X60 | B13559-00 |
| | | | FRONT BAFFLE, LEFT | ALL | 24X72, 30X72 | B13559-01 |
| 12 | FRONT PARTITIONING WALL | ALL | 24X24, 30X24 | D5817-00 | | |
| | | | 24X36, 30X36 | D5724-00 | | |
| | | | 24X48, 30X48 | E4835-00 | | |
| | | | 24X60, 30X60 | E4849-00 | | |
| | | | 24X72, 30X72 | E4870-00 | | |
| 13 | PILOT TUBE, RH | ALL | 24X24, 30X24 | B13665-00 | | |
| | | | 24X36, 30X36 | B13666-02 | | |

| ITEM NO. | DESCRIPTION | MODEL | GRILL SIZE | PART NO. |
|----------|---|---------|---------------|-----------|
| | | | 24X48, 30X48 | |
| | | | 24X60, 30X60 | |
| | | | 24X72, 30X72 | |
| | PILOT TUBE, LH | ALL | 24X36, 30X36 | B13667-00 |
| | | | 24X48, 30X48 | B13668-00 |
| | | | 24X60, 30X60 | B13666-01 |
| | | | 24X72, 30X72 | |
| | PILOT TUBE, CENTER PILOT | ALL | 24X72, 30X72 | B13668-00 |
| 14 | UNION | ALL | ALL SIZES | P8841-34 |
| 15 | PILOT TUBE, RH | ALL | ALL SIZES | B13665-01 |
| | PILOT TUBE, LH | ALL | ALL EXCEPT | B13665-00 |
| | | | 24X24, 30X24 | |
| | PILOT TUBE, CENTER VALVE | ALL | 24X72, 30X72 | B13665-02 |
| 16 | THERMOCOUPLE | ALL | ALL SIZES | P8900-47 |
| 17 | PILOT ASSEMBLY | ALL | ALL SIZES | P8904-47 |
| 18 | PILOT BRACKET | ALL | ALL SIZES | B13375-00 |
| 19 | FRAME FRONT | ALL | 24X24, 30X24 | D5614-00 |
| | | | 24X36, 30X36 | D5722-00 |
| | | | 24X48, 30X48 | D5779-00 |
| | | | 24X60, 30X60 | E4850-00 |
| | | | 24X72, 30X72 | E4874-00 |
| 20 | LEG | ALL | ALL SIZES | C10410-00 |
| 21 | BULB HOLDER ASSEMBLY | SG, SGC | ALL SIZES | B13131-00 |
| 22 | BURNER | ALL | ALL 24 GRILLS | C10036-01 |
| | | ALL | ALL 30 GRILLS | C10036-02 |
| 23 | FLOOR PANEL (LEFT) (RIGHT) (WITH PILOT OPENING) (RIGHT PANELS) (LEFT PANEL) (RIGHT PANELS) (LEFT PANEL) (WITH PILOT OPENING) RIGHT (WITH PILOT OPENING) LEFT (WITH PILOT OPENING) (RIGHT PANELS) (LEFT PANEL) (WITH PILOT OPENING) LEFT (WITH PILOT OPENING) CENTER (WITH PILOT OPENING) RIGHT (4 WIDE PANEL) LEFT (4 WIDE PANEL) RIGHT (END PANEL) LEFT (END PANEL) RIGHT FLOOR PANEL (LEFT) (RIGHT) (WITH PILOT OPENING) (RIGHT PANELS) (LEFT PANEL) (RIGHT PANELS) (LEFT PANEL) (WITH PILOT OPENING) RIGHT (WITH PILOT OPENING) LEFT (WITH PILOT OPENING) (RIGHT PANELS) (LEFT PANEL) (WITH PILOT OPENING) LEFT (WITH PILOT OPENING) CENTER (WITH PILOT OPENING) RIGHT (4 WIDE PANEL) LEFT (4 WIDE PANEL) RIGHT | ALL | 24X24 | B13391-01 |
| | | 24X24 | B13391-00 | |
| | | 24X30 | B13392-00 | |
| | | 24X36 | B13394-00 | |
| | | 24X30 | B13393-00 | |
| | | 24X48 | B13391-01 | |
| | | 24X48 | B13391-00 | |
| | | 24X48 | B13465-01 | |
| | | 24X60 | B13417-00 | |
| | | 24X60 | B13391-00 | |
| | | 24X60 | B13391-01 | |
| | | 24X72 | B13597-01 | |
| | | 24X72 | B13600-00 | |
| | | 24X72 | B13597-00 | |
| | | 24X72 | B13599-01 | |
| 24X72 | B13599-00 | | | |
| 24X72 | B13596-00 | | | |
| 24X72 | B13596-01 | | | |
| 30X24 | B13949-01 | | | |
| 30X24 | B13949-00 | | | |
| 30X36 | B14061-00 | | | |
| 30X36 | B14063-00 | | | |
| 30X36 | B14062-00 | | | |
| 30X48 | B13949-01 | | | |
| 30X48 | B13949-00 | | | |
| 30X48 | B13950-00 | | | |
| 30X48 | B13950-01 | | | |
| 30X60 | B13977-00 | | | |
| 30X60 | B13949-01 | | | |
| 30X60 | B13949-00 | | | |
| 30X72 | B14030-01 | | | |
| 30X72 | B14033-00 | | | |
| 30X72 | B14030-00 | | | |
| 30X72 | B14032-01 | | | |
| 30X72 | B14032-00 | | | |



MG, SG, SGC Grill Models Parts List

| ITEM NO. | DESCRIPTION | MODEL | GRILL SIZE | PART NO. |
|----------|----------------------------------|---------|--------------|-----------|
| | (END PANEL) LEFT | | 30X72 | B14029-00 |
| | (END PANEL) RIGHT | | 30X72 | B14029-01 |
| 24 | DRAWER PAN COVER | ALL | 24X24, 24X36 | C10017-00 |
| | | | 24X48, 24X60 | C10017-01 |
| | | | 24X72 | |
| | | | 30X24, 30X36 | C10466-00 |
| | | | 30X48, 30X60 | C10466-01 |
| | | | 30X72 | |
| 25 | DRAWER PAN | ALL | ALL SIZES | 05725-00 |
| 26 | MIRROR | ALL | 24X24, 24X36 | B13578-00 |
| | | | 30X24, 30X36 | |
| 27 | SPARK IGNITOR | ALL | ALL SIZES | P9131-76 |
| 28 | NAME PLATE | ALL | ALL SIZES | P9203-36 |
| 29 | OFF HALO KNOB | MG | ALL SIZES | P8905-01 |
| 29 | THERMOSTAT KNOB | SG, SGC | ALL SIZES | P8904-90 |
| 30 | FRONT PANEL | MG | 24X24, 30X24 | C10014-07 |
| | | | 24X36, 30X36 | C10014-08 |
| | | | 24X48, 30X48 | C10014-09 |
| | | | 24X60, 30X60 | C10014-10 |
| | | | 24X72, 30X72 | C10014-11 |
| | FRONT PANEL | SG, SGC | 24X24, 30X24 | C10014-01 |
| | | | 24X36, 30X36 | C10014-02 |
| | | | 24X48, 30X48 | C10014-03 |
| | | | 24X60, 30X60 | C10014-04 |
| | | | 24X72, 30X72 | C10014-05 |
| 31 | MANIFOLD | MG | 24X24, 30X24 | C10158-00 |
| | | | 24X36, 30X36 | 05842-00 |
| | | | 24X48, 30X48 | E4881-00 |
| | | | 24X60, 30X60 | E4882-00 |
| | | | 24X72, 30X72 | E4883-00 |
| | MANIFOLD | SG, SGC | 24X24, 30X24 | C10101-00 |
| | | | 24X36, 30X36 | 05797-00 |
| | | | 24X48, 30X48 | E4837-00 |
| | | | 24X60, 30X60 | E4852-00 |
| | | | 24X72, 30X72 | E4877-00 |
| 32 | PIPE PLUG | ALL | ALL SIZES | P8805-02 |
| 33 | MALE CONNECTOR 6X6X6 | SG, SGC | ALL SIZES | P8841-22 |
| 34 | TUBE | SG, SGC | ALL SIZES | B13610-00 |
| 35 | MALE ELBOW 3/8 NPT X 3/8 TUBE | SG, SGC | ALL SIZES | P8841-15 |
| 36 | FEMALE ELBOW 1/8 NPT X 3/8 | SG, SGC | ALL SIZES | P8840-02 |
| 37 | WASHER | ALL | ALL SIZES | B13419-00 |

| ITEM NO. | DESCRIPTION | MODEL | GRILL SIZE | PART NO. |
|-----------------------|------------------------------------|---------|---------------|-----------|
| 38 | ORIFICE (NPT) | ALL | ALL 24 GRILLS | P9314-63 |
| | ORIFICE (LP) | ALL | ALL 24 GRILLS | P9314-64 |
| | ORIFICE (NPT) | ALL | ALL 30 GRILLS | P9315-14 |
| | ORIFICE (LP) | ALL | ALL 30 GRILLS | P9315-15 |
| 39 | S.S. FLEX TUBE 3/8X 6 | SG, SGC | 24X24, 24X60 | P9314-53 |
| | | | 30X24, 30X60 | |
| | S.S. FLEX TUBE 6 | SG, SGC | ALL EXCEPT 24 | P9314-52 |
| 40 | S.S. FLEX TUBE 1/2 X 36 | ALL | ALL 30GRILLS | P9314-9 |
| | S.S. FLEX TUBE 1/2 X 30 | ALL | ALL 24 GRILLS | P9314-59 |
| 41 | VALVE | MG | ALL SIZES | P8901-79 |
| 41A | ON/OFF/OLO KNOB (NOT SHOWN) | MG | ALL SIZES | P8905-01 |
| 42 | PIPE | MG | ALL SIZES | B13620-00 |
| 43 | THERMOSTAT | SG, SGC | ALL SIZES | P8904-50 |
| 44A | GAS SAFETY VALVE | ALL | ALL SIZES | P8904-84 |
| 44B | KNOB FOR GAS SAFETY VALVE | ALL | ALL SIZES | P8905-08 |
| 45 | MALE ELBOW 3/8 NPT X 1/2 | ALL | ALL SIZES | P8840-72 |
| 46 | MALE CONN STR 3/8 NPT X 1/2 | ALL | ALL SIZES | P8840-39 |
| FOR LD MODELS: | | | | |
| 47 | LEFTHAND SIDE GREASE DRAWER | ALL | ALL 24 GRILLS | C10627-0 |
| | LEFTHAND SIDE GREASE DRAWER | ALL | ALL 30 GRILLS | C10631-0 |
| 48 | GREASE DRAWER TRACK | ALL | ALL 24 GRILLS | C10617-0 |
| | GREASE DRAWER TRACK | ALL | ALL 30 GRILLS | C10630-00 |
| NOT SHOWN | | | | |
| | UNION TEE 1/2 TUBE | ALL | 24X60, 30X 60 | P8841-26 |
| | SS FLEX TUBE 1/2X6 | | | |
| | TEE TO VALVE | ALL | 24X60, 30X 60 | P9314-57 |
| | SS FLEX TUBE 1/2 X12 | | | |
| | TEE TO VALVE | ALL | 24X60, 30X 60 | P9314-58 |
| | FEMALE ELBOW 3/8 NPT X 1/2 TUBE | ALL | 24X36, 30X36 | P8841-29 |
| | | | 24X48, 30X48 | |
| | | | 24X60, 30X 60 | |
| | NIPPLE 3/8 X 31.75 | ALL | 24X36, 30X36 | B12425-01 |
| | NIPPLE 3/8 NPT X 43.75 | ALL | 24X48, 30X48 | B12425-02 |
| | NIPPLE 3/8 NPT X 55.75 | ALL | 24X60, 30X 60 | B12425-03 |
| | NIPPLE 3/8 NPT X 29 | ALL | 24X72, 30X72 | B12173-06 |
| | NIPPLE 3/8 NPT X 37.25 | ALL | 24X72, 30X72 | B12173-07 |
| | TEE 3/8 NPT BLACK | ALL | ALL EXCEPT | P8815-07 |
| | | | 24X24, 24X72 | |
| | | | 30X24, 30X72 | |
| | CLOSE NIPPLE 3/8 NPT | ALL | ALL EXCEPT | P8815-14 |
| | | | 24X24, 24X72 | |
| | | | 30X24, 30X72 | |
| | ELBOW 1/2 BLK | | 24X72, 30X72 | P8820-11 |

IMPORTANT: When ordering replacement parts...please supply model and serial number...type of gas...item number... description and part number. Part orders that are shipped due to lack of above information are subject to restocking charge. No merchandise can be returned without written permission.

ANETSBERGER BROTHERS, INC. • 180 N. Anets Drive • Northbrook, IL 60062
Sales/Service: (847) 272-0771 • Fax: (847) 272-1943 • Corporate: (847) 272-0770

800-837-2638