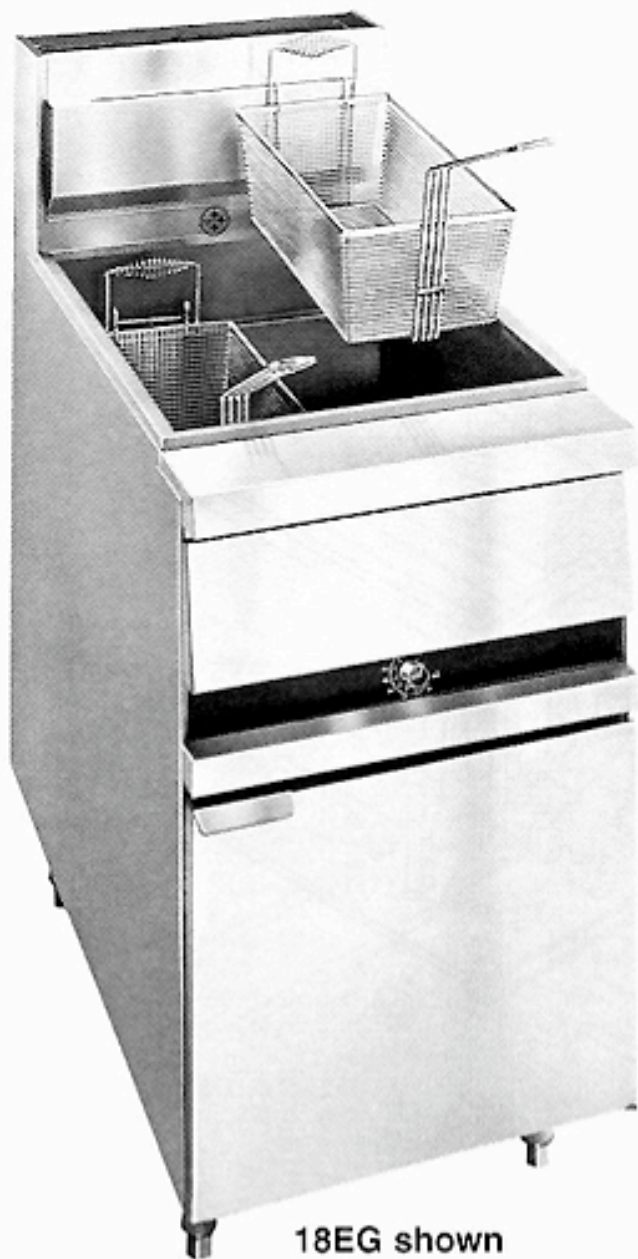


ANETS

18"/20" Gas Fryers Models D, E & EG Parts List



18EG shown

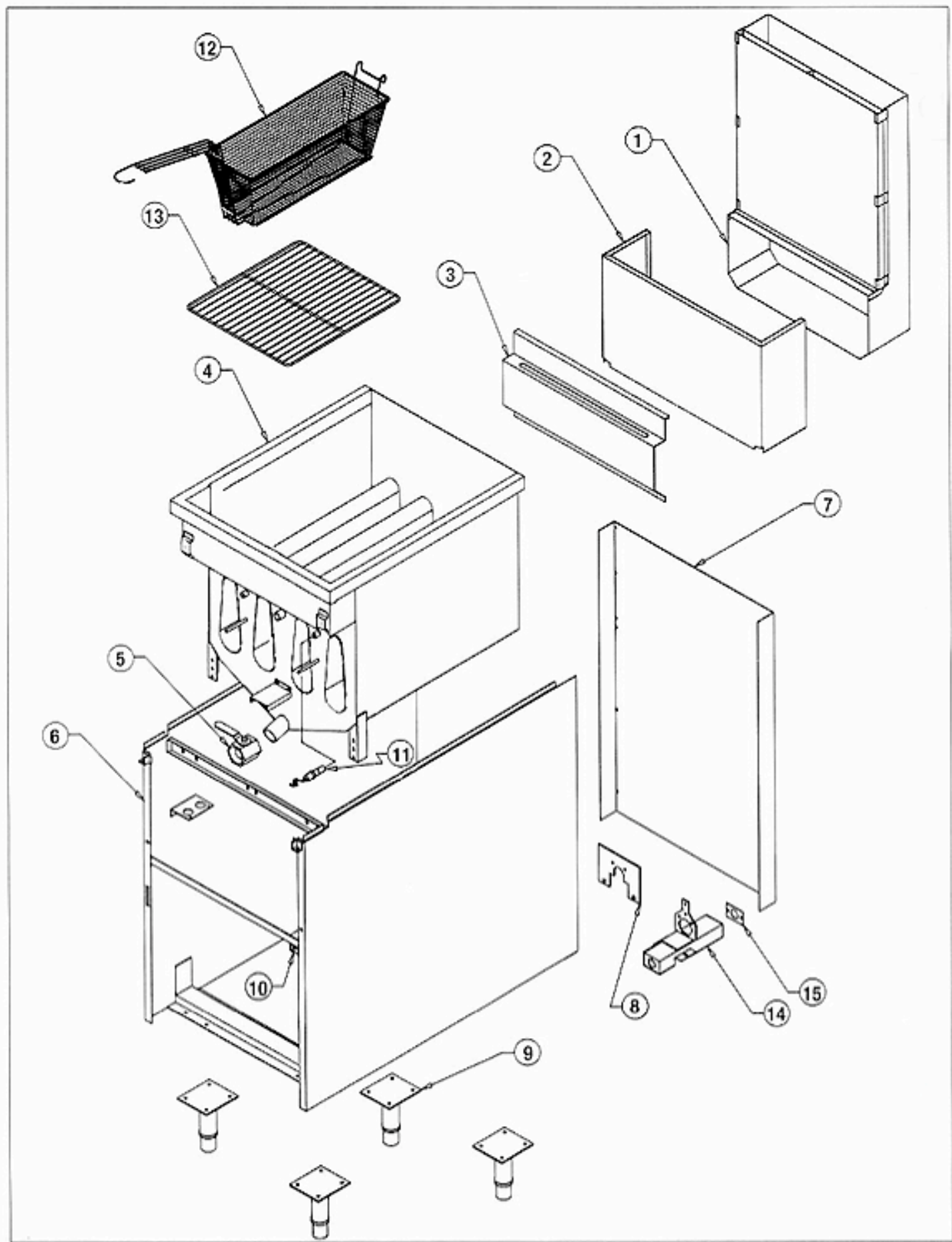


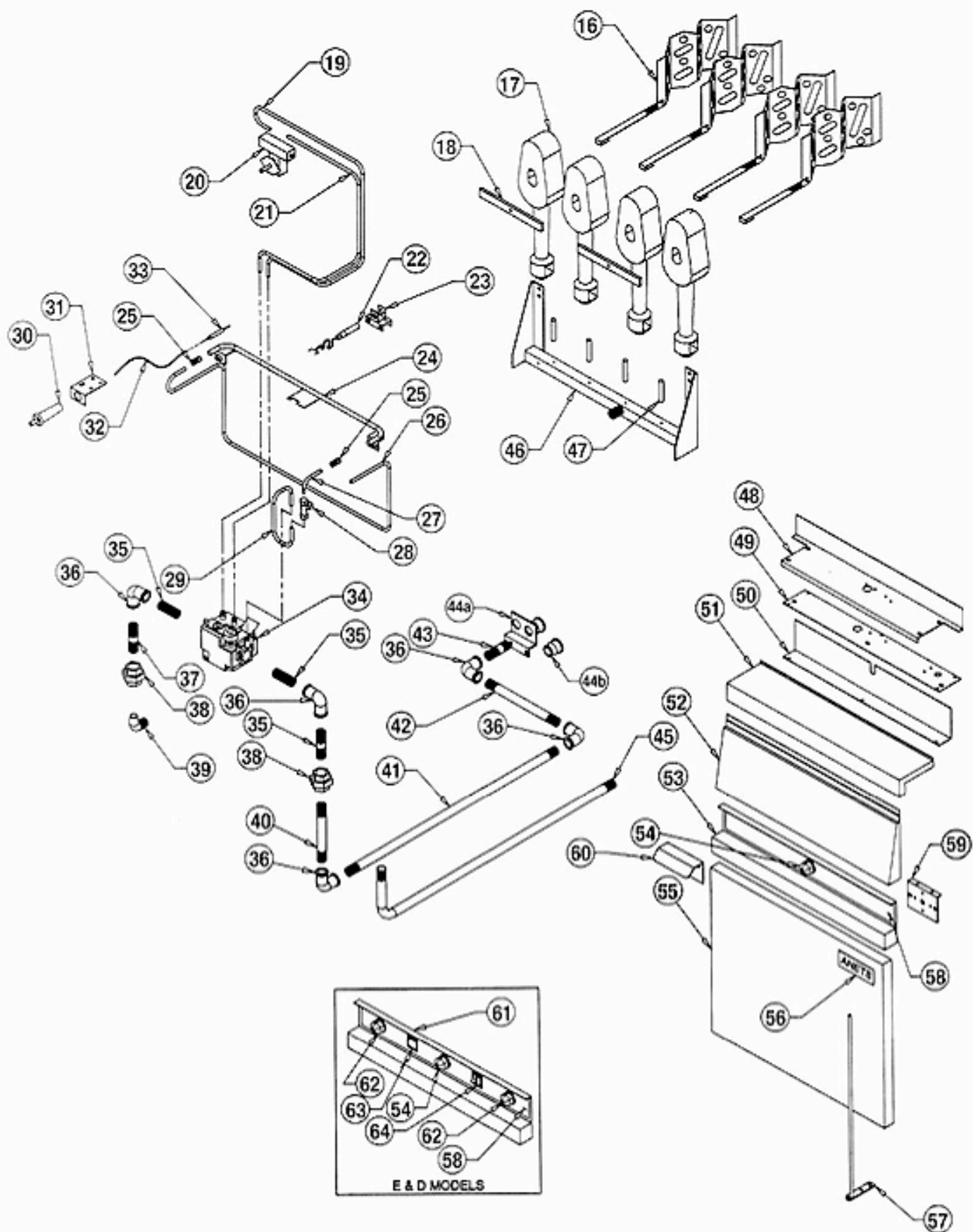
ANETSBERGER BROTHERS, INC. • 180 N. Anets Drive • Northbrook, IL 60062

Sales/Service: (847) 272-0771 • Fax: (847) 272-1943 • Corporate: (847) 272-0770

800-837-2638

www.anetsberger.com • sales@anetsberger.com







18" Gas Fryers Models D, E & EG Parts List

ITEM NO.	PART NO.	DESCRIPTION	QTY.	ITEM NO.	PART NO.	DESCRIPTION	QTY.
1.	D5299-00	FLUE ASSEMBLY	1	34. a	P8903-40	GAS VALVE (D & E MODELS)	1
2.	D5415-01	POT BACK EXTENSION	1	35. b	P8903-39	GAS VALVE (EG MODELS) (NAT)	1
3.	C9183-00	BASKET HANGER	1	36.	P8903-70	GAS VALVE (EG MODELS) (LP)	1
4.	E4561-00	POT ASSEMBLY	1	38.	P8820-10	NIPPLE CLOSE 1/2 BLK	3
5.	P8835-16	DRAIN VALVE	1	38.	P8820-11	ELBOW 1/2 BLK	10
6.	E4569-00	CABINET ASSEMBLY	1	37.	P8820-52	NIPPLE 1/2 BLK 1-1/2" LG.	1
7.	E4537-00	CABINET BACK	1	38.	P8820-06	UNION 1/2 BLK	10
8.	B12568-00	REAR PLUMBING BRACKET	1	39.	P8820-20	STREET ELBOW 1/2 BLK	1
9.	P9304-05	LEG ASSEMBLY	4	40.	P8820-65	NIPPLE 1/2 BLK 4" LG. (AA)	1
10.	P9101-23	INTERLOCK MICROSWITCH	1	41.	B12173-01	PIPE (AA)	1
11.	P8902-58	HI-LIMIT	1	42.	P8820-29	NIPPLE 1/2 BLK 7-1/2" LG. (AA)	1
12.	P8800-58	TWIN BASKET	2	43.	B12180-00	PIPE WELDMENT (AA)	1
13.	P8800-42	SCREEN	1	44. a	B13607-00	REDUCER WELDMENT (AA)	1
14.	D6826-00	CONDUIT BOX	1	44. b	P8903-06	REDUCER COUPLING 3/4" X 1/2"	1
15.	B12146-00	END COVER	1	45.	P9134-81	GAS INLET PIPE	1
16.	C10820-01	RADIANT ASSEMBLY	4	46.	D6293-20	GAS MANIFOLD	1
17.	P8086-30	BURNER	4	47.	P8900-75	GAS ORIFICE	4
18.	B14052-00	BURNER SUPPORT BAR	2	48.	D6313-00	UPPER COMPONENT PANEL	1
19.	C9299-00	THERMOSTAT TUBING (EG)	1	49.	D6314-00	LOWER COMPONENT PANEL	1
20. a	P8901-71	THERMOSTAT (D & E MODELS)	1	50.	D6315-00	REMOVABLE COMPONENT PANEL	1
20. b	P8903-37	THERMOSTAT (EG MODEL)	1	51.	C9136-01	FRONT TRIM	1
21.	C9294-00	THERMOSTAT TUBING (EG)	1	52.	D6284-00	FRONT PANEL	1
22.	P8903-48	THERMOCOUPLE #T40	1	53.	D6309-00	LOWER FRONT TRIM	1
23.	B12336-00	THERMOCOUPLE BRACKET	1	54.	P8902-80	THERMOSTAT KNOB	1
24. a	C9183-00	PILOT BURNER TUBE (NAT)	1	55.	E4622-01	DOOR ASSY	1
24. b	C9183-01	PILOT BURNER TUBE (PROP)	1	56.	P9203-05	NAME PLATE	1
24. c	P8904-98	PILOT ORIFICE (NAT) (NOT SHOWN)	2	57.	B12149-00	DOOR HINGE	1
24. d	P8904-99	PILOT ORIFICE (PROP) (NOT SHOWN)	2	58. a	P9201-97	CONTROL PANEL FACE (E & D)	1
24.	P8805-11	COUPLING	1	58. b	P9202-92	CONTROL PANEL FACE (EG ONLY)	1
26.	D6301-01	MAIN PILOT TUBE	1	59.	B12326-00	THERMOSTAT BRACKET	1
27.	D6301-03	PILOT TUBE BURNER PIPE	1	60.	C9004-01	DOOR HANDLE	1
28.	P8840-92	UNION TEE	1	61.	D6378-01	LOWER FRONT TRIM (E & D ONLY)	1
29.	B12439-00	PILOT TUBE GAS VALVE	1	62. a	P8903-04	5 MIN. TIMER (D MODEL ONLY)	1
30.	P9131-76	SPARK IGNITER	1	62. b	P8902-84	15 MIN. TIMER (D MODEL ONLY)	1
31.	P9131-82	IGNITOR BRACKET	1	63.	P9131-80	BURNER INDICATOR LIGHT	1
32.	P9131-77	LEAD WIRE	1	64.	P9101-35	POWER SWITCH W/LIGHT	1
33.	P9131-62	SPARK IGNITER ELECTRODE	1			NOT SHOWN	
					P8904-98	PILOT ORIFICE (NAT)	2
					P8904-99	PILOT ORIFICE (PROP)	2



20" Gas Fryers Models D, E & EG Parts List

ITEM NO.	PART NO.	DESCRIPTION	QTY.	ITEM NO.	PART NO.	DESCRIPTION	QTY.
1.	D5371-00	FLUE ASSEMBLY	1	35.	P8903-10	NIPPLE CLOSE 1/2 BLK	3
2.	D5415-02	POT BACK EXTENSION	1	36.	P8820-11	ELBOW 1/2 BLK	5
3.	C9183-00	BASKET HANGER	1	37.	P8820-52	NIPPLE 1/2 BLK 1-1/2" LG.	1
4.	E4600-00	POT ASSEMBLY	1	38.	P8820-06	UNION 1/2 BLK	2
5.	P8835-16	DRAIN VALVE	1	39.	P8820-20	STREET ELBOW 1/2 BLK	1
6.	E4538-00	CABINET ASSEMBLY	1	40.	P8820-65	NIPPLE 1/2 BLK 4" LG. (AA)	1
7.	E4537-00	CABINET BACK	1	41.	B12173-02	PIPE	1
8.	B12568-00	REAR PLUMBING BRACKET	1	42.	P8820-29	NIPPLE 1/2 BLK 7-1/2" LG. (AA)	1
9.	P9304-05	LEG ASSEMBLY	4	43.	B12180-00	PIPE WELDMENT (AA)	1
10.	P9101-23	INTERLOCK MICROSWITCH	1	44.	B13607-00	REDUCER WELDMENT	1
11.	P8902-58	HI-LIMIT	1	46.	D6370-00	GAS MANIFOLD	1
12.	P8800-58	TWIN BASKET	2	47.	P8900-75	GAS ORIFICE	4
13.	P8800-50	SCREEN	1	48.	D6313-01	UPPER COMPONENT PANEL	1
14.	C9040-00	CONDUIT BOX	1	49.	D6396-00	LOWER COMPONENT PANEL	1
15.	B12146-00	END COVER (20E ONLY)	1	50.	D6384-00	REMOVABLE COMPONENT PANEL	1
16.	C10820-01	RADIANT ASSEMBLY	4	51.	C9271-01	FRONT TRIM	1
17.	P8086-30	BURNER	4	52.	D6374-01	FRONT PANEL	1
18.	B14052-00	BURNER SUPPORT BAR	2	53.	D6378-01	LOWER FRONT TRIM	1
19.	C9289-00	THERMOSTAT TUBING (EG)	1	54.	P8902-80	THERMOSTAT KNOB	1
20. a	P8901-71	THERMOSTAT (D & E MODELS)	1	55.	E4611-01	DOOR ASSY	1
20. b	P8903-37	THERMOSTAT (EG MODEL)	1	56.	P9203-05	NAME PLATE	1
21.	C9299-00	THERMOSTAT TUBING (EG)	1	57.	B12149-00	DOOR HINGE	1
22.	P8903-48	THERMOCOUPLE #T40	1	58. a	P9200-15	CONTROL PANEL FACE (E & D)	1
23.	B12336-00	THERMOCOUPLE BRACKET	1	58. b	P9202-92	CONTROL PANEL FACE (EG ONLY)	1
24. a	C9275-00	PILOT BURNER TUBE (NAT)	1	59.	B12326-00	THERMOSTAT BRACKET	1
24. b	C9275-01	PILOT BURNER TUBE (PROP)	1	60.	C9004-01	DOOR HANDLE	1
24. c	P8904-98	PILOT ORIFICE (NAT) (NOT SHOWN)	2	61. a	D6378-01	LOWER FRONT TRIM (E ONLY)	1
24. d	P8904-99	PILOT ORIFICE (PROP) (NOT SHOWN)	2	61. b	D6378-02	LOWER FRONT TRIM (D ONLY)	1
25.	P8805-11	COUPLING	1	62. a	P8903-04	5 MIN. TIMER (D MODEL ONLY)	1
26.	D6301-04	MAIN PILOT TUBE	1	62. b	P8902-84	15 MIN. TIMER (D MODEL ONLY)	1
27.	D6301-03	PILOT TUBE BURNER PIPE	1	63.	P9131-80	BURNER INDICATOR LIGHT	1
28.	P8840-92	UNION TEE	1	64.	P9101-35	POWER SWITCH W/LIGHT	1
29.	B12439-00	PILOT TUBE GAS VALVE	1			NOT SHOWN	
30.	P9131-76	SPARK IGNITER	1		P8904-98	PILOT ORIFICE (NAT)	2
31.	P9131-82	IGNITOR BRACKET	1		P8904-99	PILOT ORIFICE (PROP)	2
32.	P9131-77	LEAD WIRE	1				
33.	P9131-62	SPARK IGNITER ELECTRODE	1				
34. a	P8903-40	GAS VALVE (D & E MODELS)	1				
34. b	P8903-39	GAS VALVE (EG MODELS) (NAT)	1				
	P8903-70	GAS VALVE (EG MODELS) (LP)	1				

IMPORTANT: When ordering replacement parts... please supply model and serial number... type of gas... item number... description and part number. Part orders that are shipped due to lack of above information are subject to restocking charge. No merchandise can be returned without written permission.

ANETSBERGER BROTHERS, INC. • 180 N. Anets Drive • Northbrook, IL 60062

Sales/Service: (847) 272-0771 • Fax: (847) 272-1943 • Corporate: (847) 272-0770

800-837-2638

SP#120
Rev. 3/02

www.anetsberger.com • sales@anetsberger.com