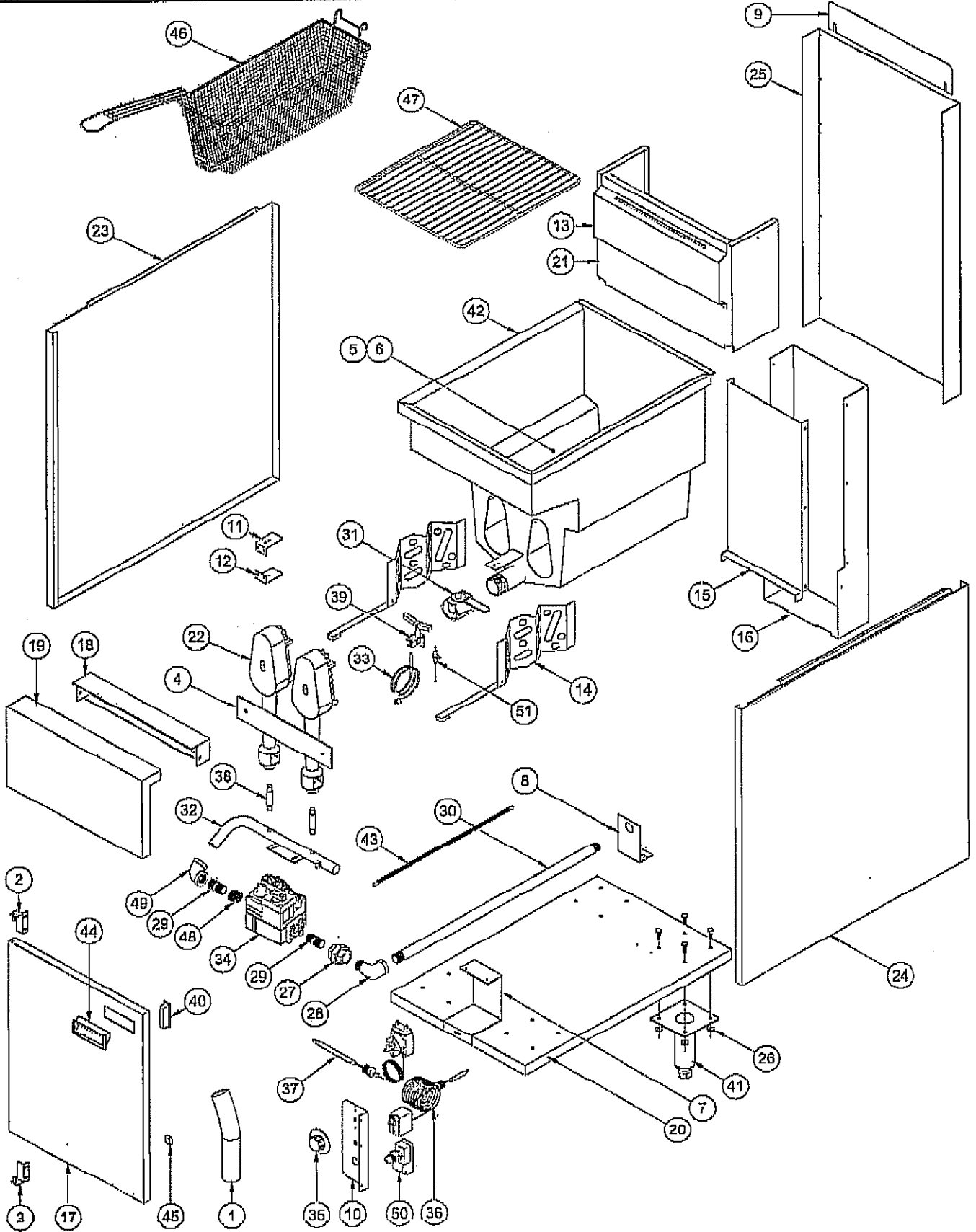




MODEL SLG40 GAS FRYER





MODEL SLG40 PARTS LIST

ITEM	QTY	PART NUMBER	DESCRIPTION
1	1	B12172-01	Drain Valve Extension
2	1	B13765-00	Top Door Hinge Weldment
3	1	B13765-01	Bottom Door Hinge Weldment
4	1	B13790-00	Burner Support Bar
5	1	B13793-00	Cover - Bulb Holder
6	1	B13794-00	Spacer - Bulb Holder
7	1	B13797-00	Manifold Mounting Bracket
8	1	B13798-00	Supply Pipe Support
9	1	B13811-00	Safety Plate
10	1	B14356-00	Thermostat, HI-Limit, Igniter Bracket *
11	1	B14201-00	Upper Pilot Bracket
12	1	B14202-00	Lower Pilot Bracket
13	1	C10243-00	Basket Hanger
14	2	C10520-00	Radiant Assembly Indelible
15	1	D5872-00	Flue Cover
16	1	D5873-00	Flue Wrapper
17	1	D6174-00	Door
18	1	D6175-00	Front Cabinet Support
19	1	D6176-00	Front Trim
20	1	D6177-00	Floor Panel
21	1	D6180-00	Pot Back Extension
22	2	E4556-02 - P9086-39	Burner Assembly
23	1	E5139-00	Side Panel - Left
24	1	E5139-01	Side Panel - Right
25	1	E5140-00	Cabinet Back
26	1	P8025-95	Bolt & Nut Kit For Legs
27	1	P8820-06	1/2 Black Union
28	1	P8820-20	1/2 Black Street Elbow
29	2	P8820-52	1/2 x 1.50 Black Nipple
30	1	P8820-83	1/2 x 23.50 Black Nipple
31	1	P8835-16	Ball Valve 1 1/2
32	1	P8841-38	Manifold (C10249)
33	1	P8903-22	Thermopile
34	1	P8905-63	Gas Valve Natural
	1	P8905-64	Gas Valve Conversion Kit L.P.
35	1	P8901-38	375° Thermostat Knob (B13642)
36	1	P8905-71	428° High Limit Thermal Cutoff Switch
37	1	P8905-87	Thermostat #RX-28-36
38	2	P8905-04	Main Burner Orifice Natural (B13788)
	2	P8905-05	Main Burner Orifice L.P. (B13788)
39	1	P8905-06	Pilot Burner Natural
	1	P8903-52	Pilot Orifice L.P.
40	1	P9302-14	Magnetic Catch
41	4	P9304-05	6" Adjustable Leg (B13932)
42	1	P9315-17	Pot Weldment (E4893-01)
43	1	P9315-33	S.S. Flex Pilot Tube (B13609-01)
44	1	P9315-76	Pull Handle
45	1	P9600-41	Grommet
46	2	P9800-08	14" Twin Basket (E2224)
47	1	P9800-45	14" Fryer Screen (C8045)
48	1	P8825-59	3/4 x 1/2 Flush Mount Bushing
49	1	P8820-11	1/2 Black Elbow
50	1	P9132-34	Electronic Igniter
51	1	P9132-35	Electrode w/ Lead Wire (B14359)
N/S	2	P9000-20	Swivel Caster (optional)
N/S	2	P9000-21	Rigid Caster (optional)
N/S	1	P9203-96	Label - Wiring Diagram (B14287)

IMPORTANT: When ordering replacement parts...please supply model and serial number... type of gas... item number...description and part number. Part orders that are shipped due to lack of above information are subject to restocking charge. No merchandise can be returned without written permission.

SP# 302 Rev. 3/06

Anetsberger Brothers, Inc. • 180 North Anets Drive • Northbrook, Illinois 60062

Main: 847-272-0770 • Toll Free: 800-837-2638 • Fax: 847-272-1943

www.anets.us