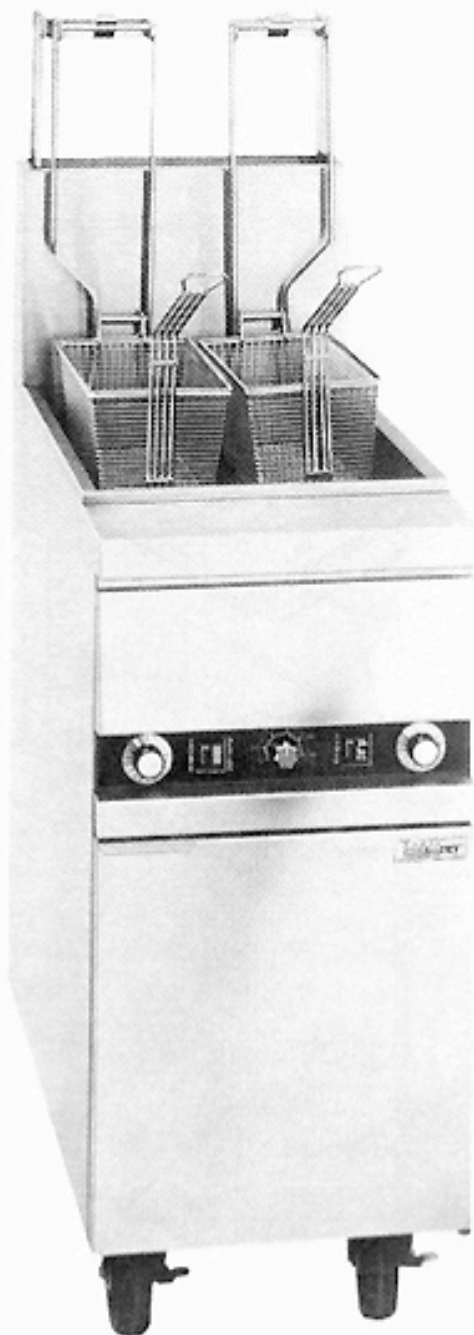


ANETS

MX Series Gas Fryers Models AA, D, E & EG



**MX-14AA shown with
automatic lifts on
optional casters.**

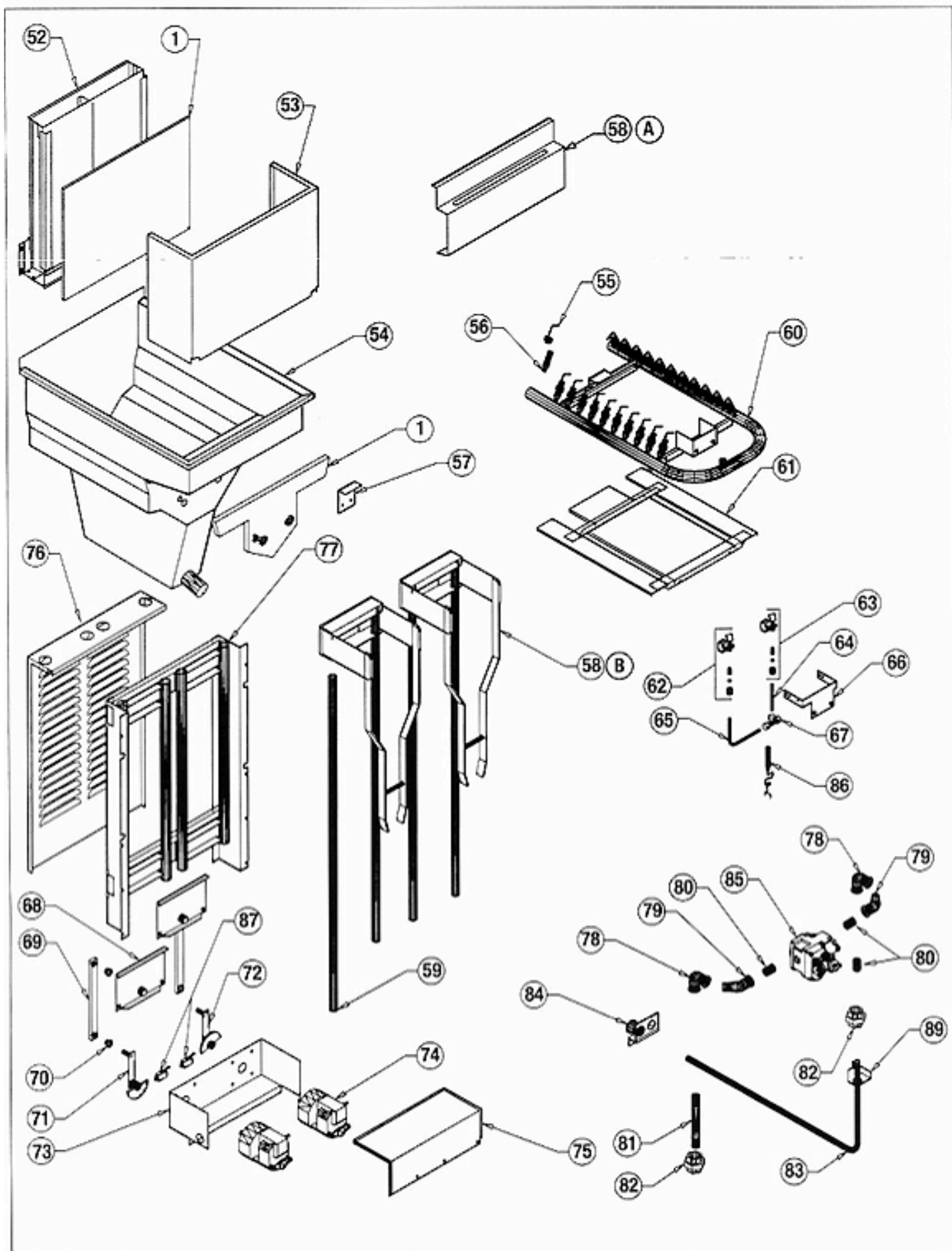


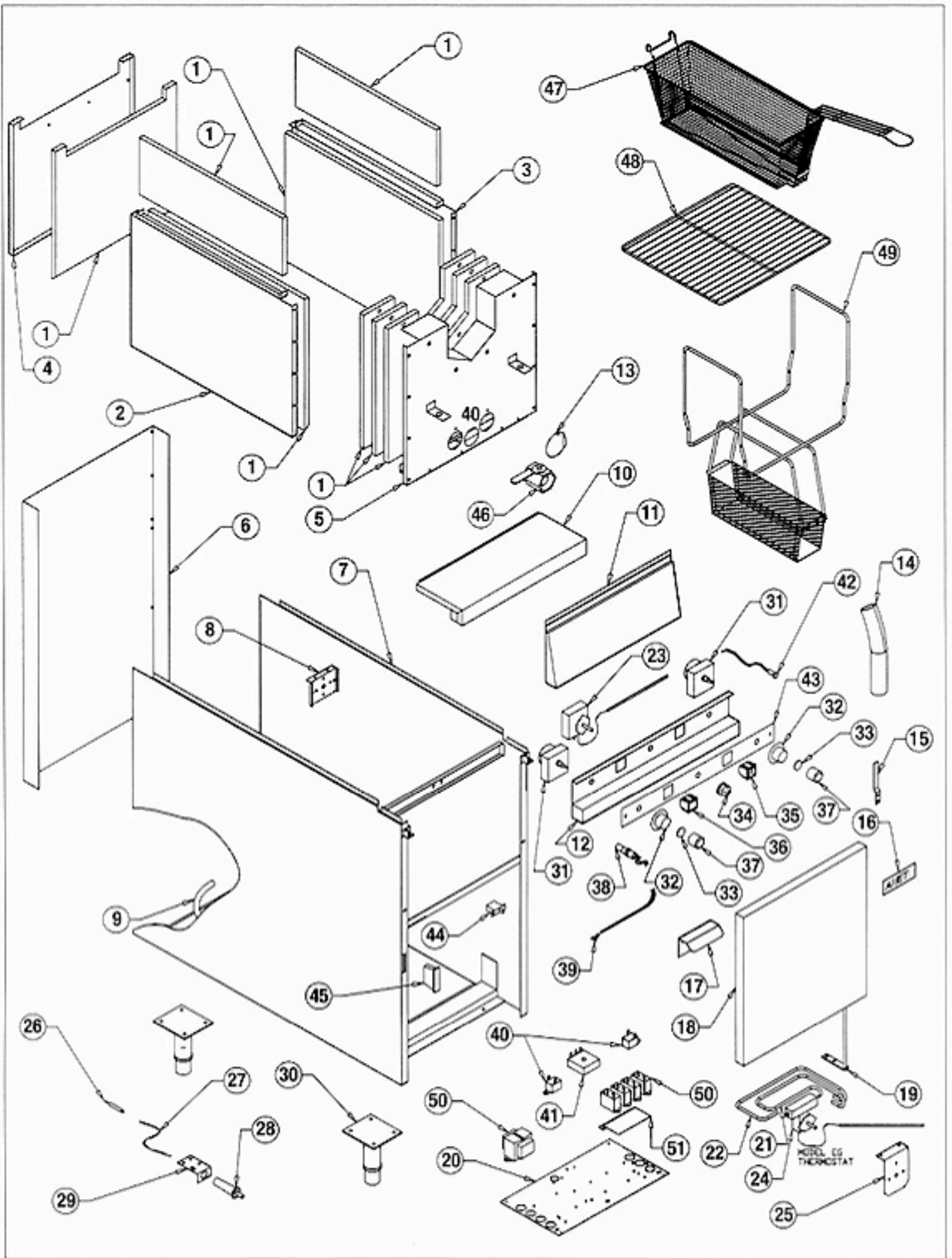
ANETSBERGER BROTHERS, INC. • 180 N. Anets Drive • Northbrook, IL 60062

Sales/Service: (847) 272-0771 • Fax: (847) 272-1943 • Corporate: (847) 272-0770

800-837-2638

www.anetsberger.com • sales@anetsberger.com







MX Series Gas Fryers Models AA, D, E & EG

| ITEM NO. | PART NO. | DESCRIPTION | QTY. |
|----------|-----------|---|------|
| 1. | P9202-61 | INSULATION KIT | 1 |
| 2. | D5181-02 | SIDE SHROUD L.H. | 1 |
| 3. | D5181-01 | SIDE SHROUD R.H. | 1 |
| 4. | E4454-00 | REAR SHROUD | 1 |
| 5. | D5141-00 | FRONT SHROUD | 1 |
| 6. | E4476-00 | CABINET BACK | 1 |
| 7. | E4455-00 | CABINET S.A. | 1 |
| 8. | B12517-00 | THERMOSTAT BRACKET | 1 |
| 9. | P9120-11 | CONDUIT (MODELS AA, D & E) (4') | 1 |
| 10. | C8990-01 | FRONT TRIM | 1 |
| 11. | D5165-01 | FRONT PANEL | 1 |
| | D5165-02 | FRONT PANEL (COMPUTER MODEL) | 1 |
| 12. | D5161-00 | LOWER FRONT TRIM | 1 |
| 13. | B12135-00 | PILOT COVER | 1 |
| 14. | P9313-60 | DRAIN PIPE EXTENSION | 1 |
| 15. | B5065-00 | TUBE HOLDER | 1 |
| 16. | P9203-35 | NAME PLATE | 1 |
| 17. | G9004-01 | DOOR HANDLE | 1 |
| 18. | E4472-01 | DOOR S.A. | 1 |
| 19. | B12149-00 | DOOR HINGE | 1 |
| 20. | D5256-00 | COMPONENT PANEL | 1 |
| 21. | G9234-00 | THERMOSTAT TO GAS VALVE TUBE (EG MODEL ONLY) | 1 |
| 22. | G9235-00 | GAS VALVE TO THERMOSTAT TUBE (EG MODEL ONLY) | 1 |
| 23. | P8901-71 | THERMOSTAT (MODELS AA, D & E) | 1 |
| 24. | P8903-37 | THERMOSTAT (MODEL EG) | 1 |
| 25. | B12517-00 | THERMOSTAT MTG. BRACKET (MODEL EG ONLY) | 1 |
| 26. | P9131-55 | SPARK IGNITOR ELECTRODE | 1 |
| 27. | P9131-77 | IGNITOR LEAD WIRE | 1 |
| 28. | P9131-76 | SPARK IGNITOR | 1 |
| 29. | B13823-00 | IGNITOR BRACKET | 1 |
| 30. | P9304-05 | LEG ASSY | 4 |
| 31. | P8902-84 | TIMER (15 MINUTE) (MODELS D & AA) | 1 |
| | P8903-04 | TIMER (5 MINUTE) (OPTIONAL) | 1 |
| 32. | P8903-06 | 15 MINUTE CYCLE TIMER KNOB | 1 |
| | P8903-07 | 5 MINUTE CYCLE TIMER KNOB | 1 |
| 33. | P8903-08 | PUSH BUTTON (MODELS D & AA) | 1 |
| 34. | P8902-80 | THERMOSTAT KNOB | 1 |
| 35. | P9101-35 | POWER SWITCH | 1 |
| 36. | P9131-50 | INDICATOR LIGHT (MODELS AA, D & E) | 2 |
| 37. | P9101-80 | TIMER PUSH BUTTON COVER | 2 |
| 38. | P8902-58 | HI-LIMIT THERMOSTAT | 1 |
| 39. | P8903-51 | HI-LIMIT ACCESS WIRE | 1 |
| 40. | P8900-77 | TIMER - BUZZER (MODEL D) | 2 |
| 41. | P8902-75 | MELT CYCLE TIMER (OPTIONAL) | 1 |
| 42. | P9131-47 | INDICATOR LIGHT (MODEL D) | 1 |
| 43. | P9201-72 | CONTROL PANEL FACE (MODEL EG) | 1 |
| | P9201-80 | CONTROL PANEL FACE (MODELS AA, D & E) | 1 |
| | P9201-81 | CONTROL PANEL FACE (OPTIONAL) (FOR UNITS WITH MELTER) | 1 |
| 44. | P9101-23 | DOOR MICROSWITCH | 1 |
| 45. | P9302-14 | DOOR MAGNET | 1 |
| 46. | P8835-16 | DRAIN BALL VALVE | 1 |
| 47. | P9800-08 | BASKET | 2 |
| 48. | P9800-45 | SCREEN | 1 |
| 49. | D5178-00 | SEDIMENT TRAY (OPTIONAL) | 1 |
| 50. | P8902-96 | RELAY AND TRANSFORMER (FRITRONIC ONLY) | 1 |

| ITEM NO. | PART NO. | DESCRIPTION | QTY. |
|------------------------|-----------|---------------------------------------|------|
| 51. | G9114-00 | RELAY BRACKET (COMPUTER MODELS ONLY) | 1 |
| 52. | D5143-00 | FLUE | 1 |
| 53. | D5415-03 | SPLASH BACK | 1 |
| 54. | K2850-00 | STAINLESS STEEL POT | 1 |
| | K2900-00 | STAINLESS STEEL POT (FRITRONIC ONLY) | 1 |
| 55. | P9500-54 | SPRING CLIP FOR BURNER JET | 22 |
| 56. | P8840-84 | BURNER ORIFICE (NATURAL GAS) | 22 |
| | P8840-85 | BURNER ORIFICE (L.P.) | 22 |
| 57. | B12114-00 | UPPER POT SUPPORT BRACKET | 1 |
| 58A. | D5901-00 | BASKET HANGER (D, E & EG MODELS) | 1 |
| 58B. | D5901-00 | BASKET HANGER (AA MODELS ONLY) | 2 |
| 59. | C10087-00 | LIFT TUBE ASSY. | 4 |
| 60. | P9313-89 | MANIFOLD ASSY. | 1 |
| 61. | C9202-00 | MANIFOLD BAFFLE S.S.A. | 1 |
| 62. | P8903-46 | PILOT BURNER LEFT | 1 |
| 63. | P8903-47 | PILOT BURNER RIGHT | 1 |
| 64. | C9202-01 | PILOT TUBE RIGHT | 1 |
| 65. | C9202-02 | PILOT TUBE LEFT | 1 |
| 66. | C9205-00 | PILOT BRACKET | 1 |
| 67. | P8840-92 | UNION TEE | 1 |
| 68. | D5899-00 | CROSS MEMBER | 2 |
| 69. | B13493-02 | OUTER CRANK ASSY. | 2 |
| 70. | P8810-84 | FLANGED BRONZ BEARING | 4 |
| 71. | B13829-00 | MOTOR CRANK ASSY. L.H. | 1 |
| 72. | B13828-00 | MOTOR CRANK ASSY. R.H. | 1 |
| 73. | D5899-00 | MOTOR BOX ASSY. | 1 |
| 74. | P8110-36 | LIFT MOTOR | 2 |
| 75. | D5891-00 | MOTOR BOX COVER | 1 |
| 76. | D5895-00 | LIFT BACK COVER | 1 |
| 77. | D5898-00 | LIFT GUIDE | 1 |
| 78. | P8820-11 | ELBOW 1/2 BLACK | 2 |
| 79. | P8820-79 | STREET ELBOW 45 DEGREE BLACK | 2 |
| 80. | P8820-10 | CLOSE NIPPLE 1/2 BLACK | 3 |
| 81. | P8820-53 | NIPPLE 1/2 x 5" BLACK | 1 |
| 82. | P8820-06 | UNION 1/2 BLACK | 2 |
| 83. | P9314-45 | GAS PIPE (E, EG) | 1 |
| | P9314-71 | GAS PIPE (AA) | 1 |
| 84. | B13607-00 | REDUCER (E, D, EG) | 1 |
| 85. | P8903-40 | GAS VALVE (NAT.) (AA, E) | 1 |
| | P8903-39 | GAS VALVE (NAT.) (EG) | 1 |
| | P8903-70 | GAS VALVE (L.P.) (EG) | 1 |
| 86. | P8903-48 | THERMOCOUPLE | 1 |
| 87. | P9100-31 | MICROSWITCH | 2 |
| 88. | P8580-24 | RETAINING CLIP | 4 |
| 89. | B12152-00 | FRONT PLUMBING BRACKET | 1 |
| ITEMS NOT SHOWN | | | |
| | P9800-09 | BASKET (DOUBLE BASKET) (OPTIONAL) | 1 |
| | G9144-00 | CLEAN OUT ROD | 1 |
| | K1100-00 | CASTERS, 2 STAT., 2 SWIVEL | 1 |
| | K1150-00 | SWIVEL CASTER (OPTIONAL) | 4 |
| | K1125-00 | RIGID CASTER (OPTIONAL) | 4 |
| | P9120-01 | CORD SET (MODELS AA, D & E) | 1 |
| | P9110-28 | STRAIGHT CONNECTOR (MODELS AA, D & E) | 1 |
| | P9130-20 | INSULATOR - FIRE BUSHING | 1 |
| | P9101-33 | MELT / FRY SWITCH | 1 |
| | D5276-00 | COVER (E, D, EG) | 1 |
| | D5276-02 | COVER (AA) | 1 |

IMPORTANT: When ordering replacement parts...please supply model and serial number...type of gas...item number... description and part number. Part orders that are shipped due to lack of above information are subject to restocking charge. No merchandise can be returned without written permission.

ANETSBERGER BROTHERS, INC. • 180 N. Anets Drive • Northbrook, IL 60062

Sales/Service: (847) 272-0771 • Fax: (847) 272-1943 • Corporate: (847) 272-0770

800-837-2638

SP#105
Rev. 10/01

www.anetsberger.com • sales@anetsberger.com