

Repair Parts List

MODEL NUMBER

KFC1

MANUFACTURING
NUMBER

P1198622M

COMMERCIAL MICROWAVE

When requesting service or ordering parts, always provide the following information:

- Product Type
- Part Number
- Model Number
- Part Description

Amana[®]
HIGH PERFORMANCE HAS A NAME™

PART OF  FOODSERVICE GROUP

December 15 2006

Section: MISCELLANEOUS INFORMATION

Model: KFC1_P1198622M

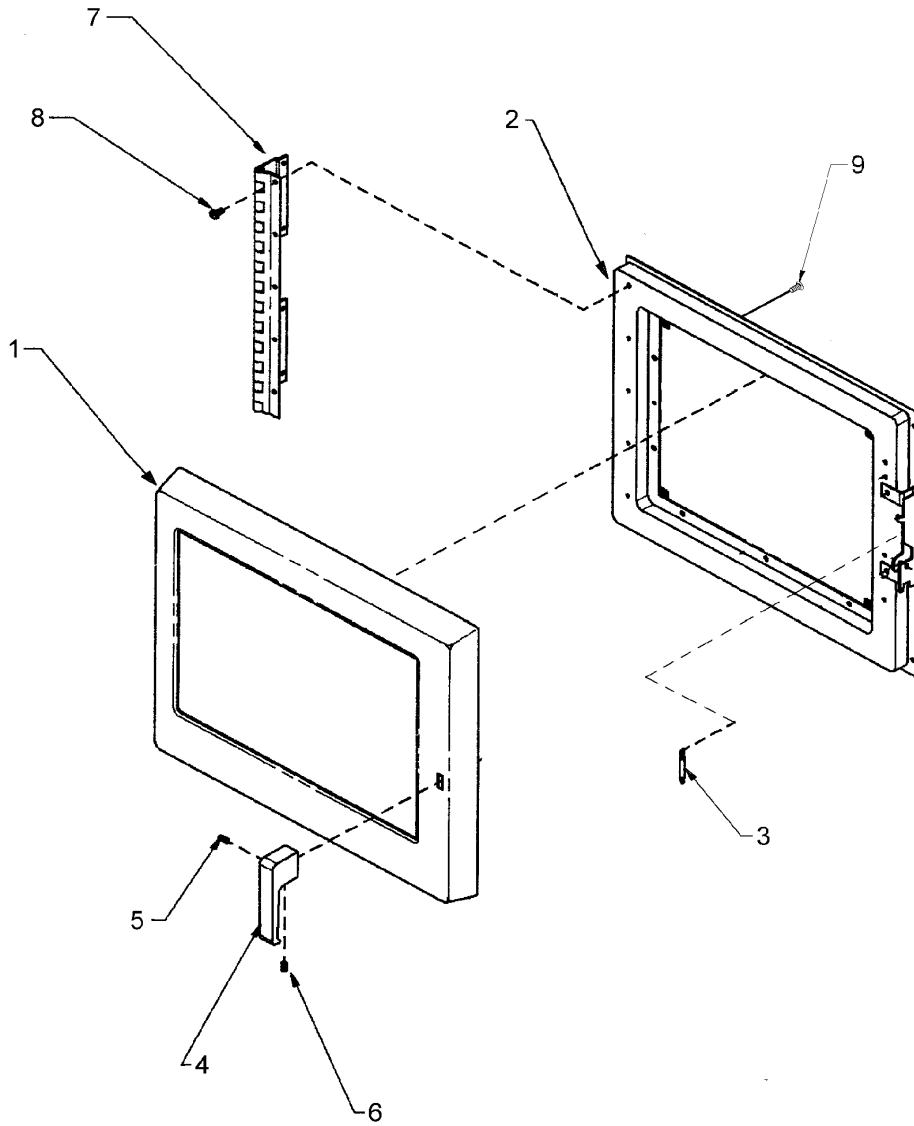
No image available

Section: MISCELLAEIOUS INFORMATION

No.	Part No.	Description	Series Qty
1	12392728	OWNERS MANAUL (KFC1) Note: MANUAL-OWNERS	1
- N	RP2200002	MNL-PARTS COMM'L MICRO Note: PARTS MANUAL	1
-	RS2220001	MNL-SVC COM RR Note: MANUAL-SERVICE	1
-	RT2230005	TECH SHEET, COMM'L MICRO (SEE Note: SHEET-TECH	1
-	R0193574	MAGNETIC Y-DRIVE BIT Note: Y-BIT DRIVE-FOR INNER DOOR SCR	1
6	R0000108	KIT, CAVITY-3 TUBE	1
7	12001916	KIT, FUSE (15 AMP)	1

Section: DOOR ASSEMBLY

Model: KFC1_P1198622M



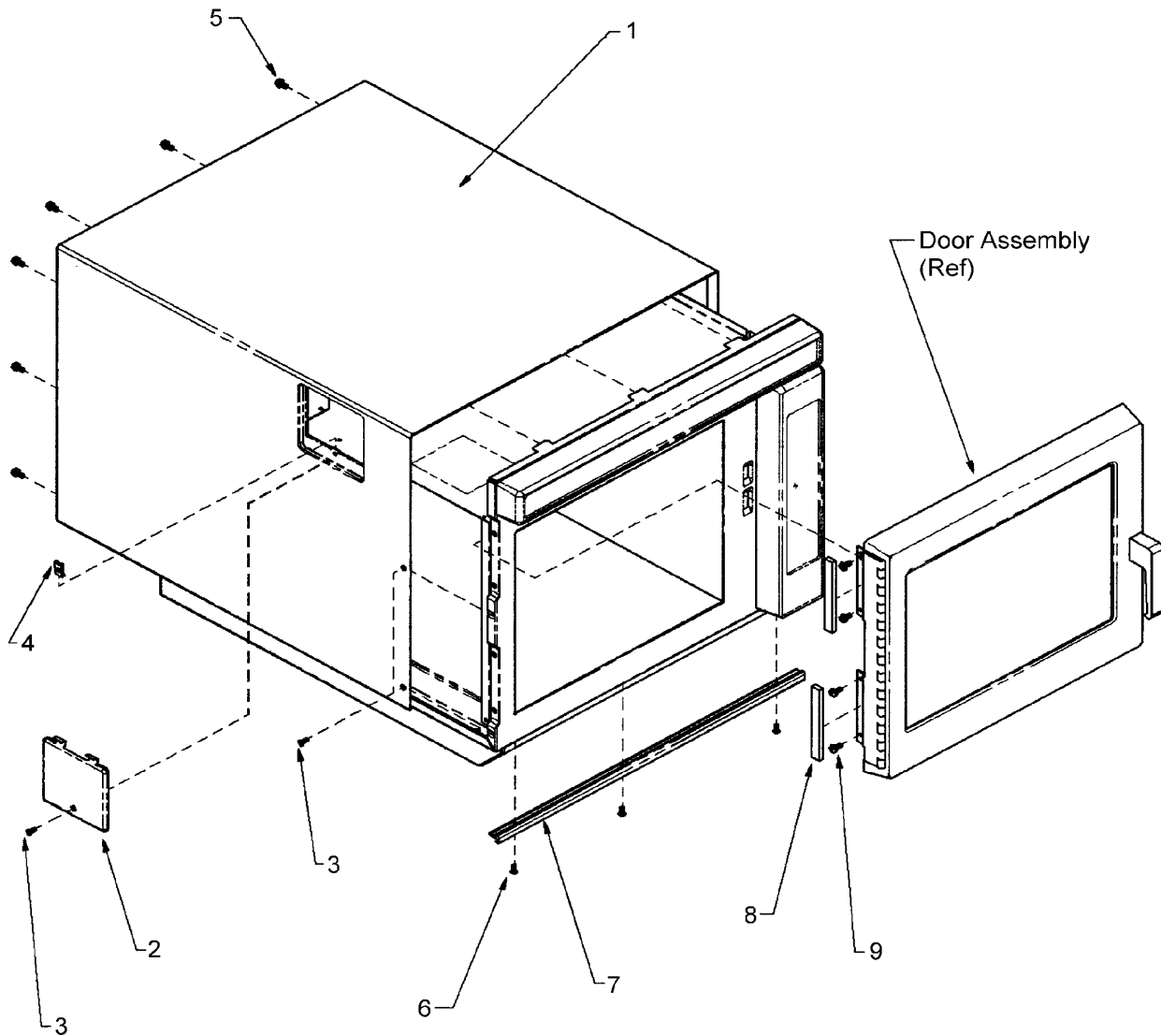
Section: DOOR ASSEMBLY

No.	Part No.	Description	Series Qty
1	R0156918	OUTER DOOR/LENS RETAINER ASSY Note: OUTER DOOR ASSY	1
2	R0156921	INNER DOOR & GLASS ASSY Note: DOOR-INNER	1
3	C8893502	SPRING, DOOR LATCH Note: SPRING-DOOR LATCH	1
4	10822301	HANDLE, DOOR Note: HANDLE-DOOR	1
5	5051032202	SET SCREW #10 X .25 Note: SCREW-SET SIDE	1
6	M0208342	SCREW, SET Note: SCREW-SET BOTTOM	1
7	C8961811	HINGE-DOOR Note: HINGE-DOOR	1
8	M0216703	SCREW *** Note: SCREW-SM	5
9	M0237618	SCREW-"Y"DRIVE HEAD*** Note: SCREW-TC	10

12/06 *Color Code (-)=Not Shown #=Series, Serial Prefix or Run No., N=Not Available

Section: OUTERCASE ASSEMBLY

Model: KFC1_P1198622M



Section: OUTERCASE ASSEMBLY

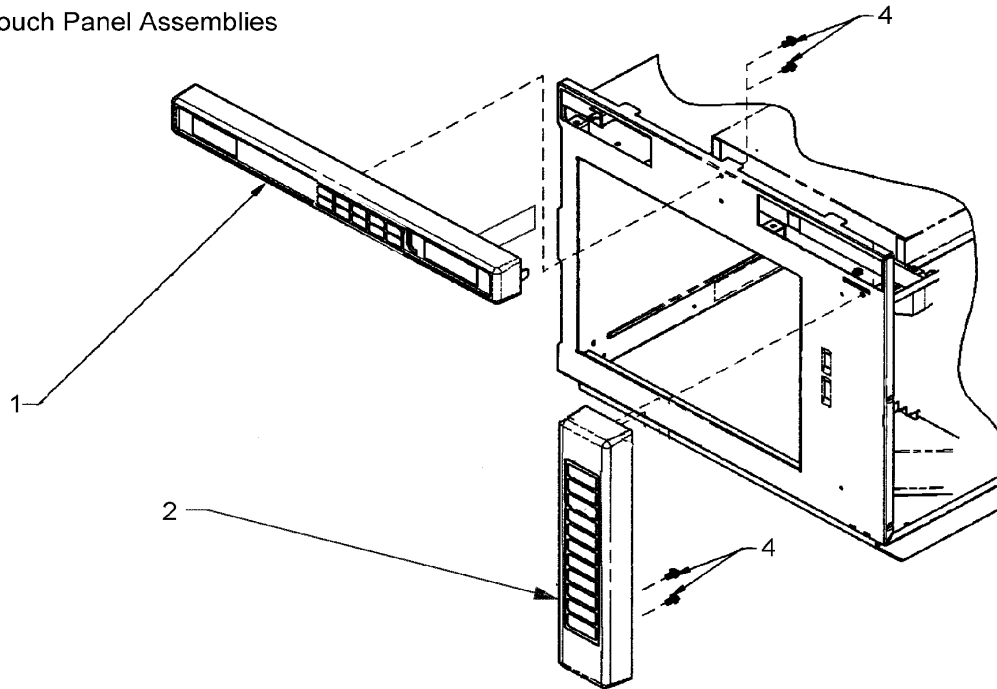
No.	Part No.	Description	Series Qty
1	10908901Q	WRAPPER-OC (SS) Note: WRAPPER-OC	1
2	10785602	COVER LIGHT (SS) Note: COVER-LIGHT	1
3	M0249619	SCREW, T F Note: SCREW-TF	5
4	N M0288213	CLIP Note: NUT-SPEED	1
5	M0216703	SCREW *** Note: SCREW-SM	6
6	M0234016	SCREW Note: SCREW-TR	3
7	N 10909001	TRIM-OC (BRUSHED) Note: TRIM-OC	1
8	A3263904	GASKET Note: GASKET	2
9	M0211317	SCREW K Note: SCREW-SM	4

12/06 *Color Code (-)=Not Shown #=Series, Serial Prefix or Run No., N=Not Available

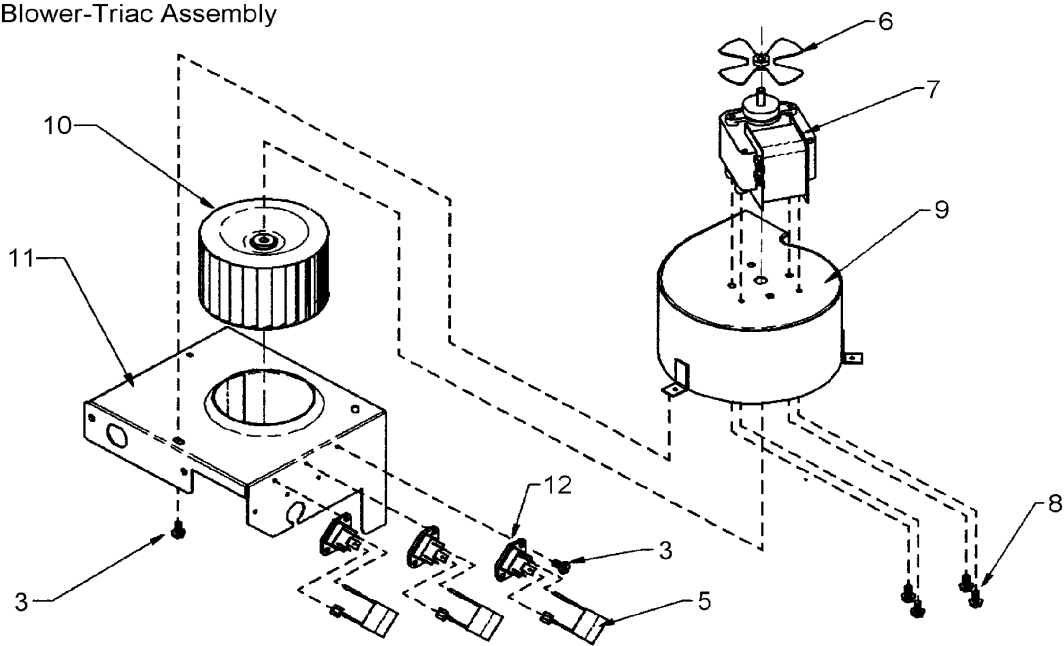
Section: TOUCH PANEL & BLOWER-TRIAC ASSEMBLY

Model: KFC1_P1198622M

Touch Panel Assemblies



Blower-Triac Assembly



Section: TOUCH PANEL & BLOWER-TRIAC ASSEMBL

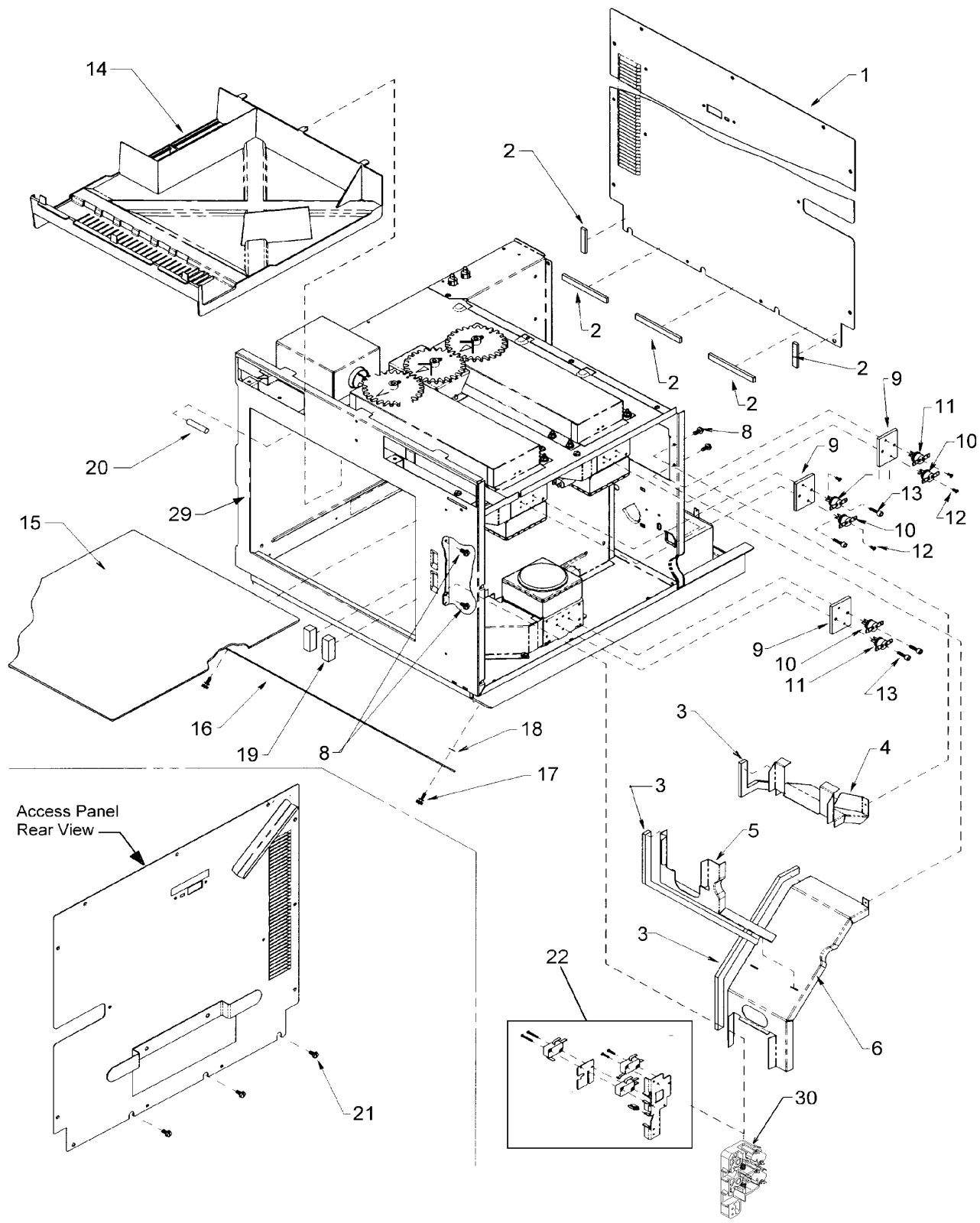
No.	Part No.	Description	Series Qty
1	R0156972	ASSY, TOUCH PANEL Note: TOUCH PANEL (TOP)	1
2	R0156975	ASSY, TOUCH PNL- SIDE Note: TOUCH PANEL (SIDE)	1
4	M0216703	SCREW *** Note: SCREW-SM	6
5	10172901Q	SNUBBER ASSEMBLY Note: SNUBBER ASSY	1
6	B5706704	FAN BLADE Note: FAN-BLADE	1
7	10773305	MOTOR- BLOWER Note: MOTOR-BLOWER	1
8	M0253916	SCREW Note: SCREW-TF	4
9	10797202	WELD, SCROLL Note: SCROLL WELD	1
10	C3670809	WHEEL, BLOWER Note: WHEEL-BLOWER	1
11	10984004	BRKT, BLOW SCROLL Note: BRACKET-BLOWER SCROLL	1
12	D7681501	TRIAC Note: TRIAC	3

12/06

*Color Code (-)=Not Shown #=Series, Serial Prefix or Run No., N=Not Available

Section: CHASSIS ASSEMBLY PARTS 1

Model: KFC1_P1198622M



Section: CHASSIS ASSEMBLY PARTS 1

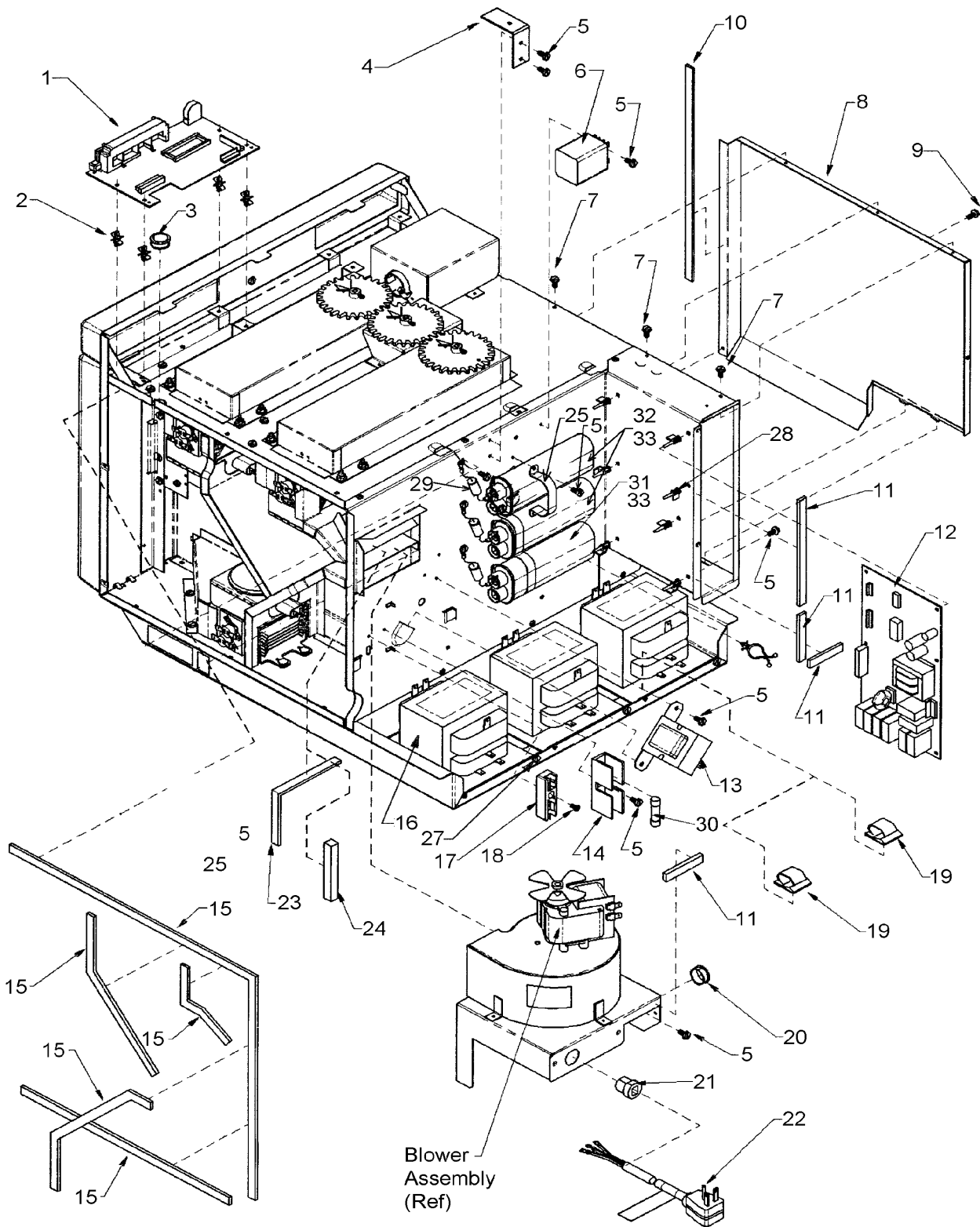
No.	Part No.	Description	Series Qty
1	R0156970	ASSY, ACCESS PANEL (REAR) Note: ACCESS PANEL WELD-E CT (INCLUD	1
2	A3030301	GASKET (INCH) Note: GASKET	2
3	A3030330	GASKET,PER FT Note: GASKET	5
4	R0156986	REAR DIVIDER DUCT-W/GASKET Note: DIVIDER-REAR FLOW	1
5	R0156988	TOP DIVIDER DUCT-W/GASKET Note: DIVIDER-TOP FLOW	1
6	R0156987	BOTTOM DIVIDER DUCT-W/GASKET Note: DIVIDER-BOT FLOW	1
8	M0216515	SCREW Note: SCREW-SM	9
9	B8380601	PLATE, THERMAL CUTOUT Note: PLATE-TC MTG	3
10	B5684106	THERMAL PROTECTOR Note: CUTOUT-THERMAL, MAGNETRON	3
11	B5684118	CUTOUT, THERMAL Note: CUTOUT-THERMAL, CONTROL	3
12	M0232012	SCREW Note: SCREW-TC	2
13	M0229916	SCREW T.C Note: SCREW-TC	3
14	10766601	SHIELD, GREASE Note: SHIELD-GREASE	1
15	R0156942	TRAY-CERAMIC FLOOR W/SEALER Note: TRAY-OVEN	1
16	10853102	GRILLE, AIR INLET Note: GRILLE-AIR INLET	1
17	M0209701	SCREW, DECORATIVE Note: SCREW-DECORATIVE	2
18	M0274066	WASHER, NYLON Note: WASHER-NYLON	2
19	3010003001	SUPPORT-TRAY Note: STANDOFF-POLY	2
20	M0308801	CAP, PROTECTIVE-THREADED (RED) Note: CAP-SCREW	2
21	M0216716	SCREW Note: SCREW-SM	13
30	12360506	SWITCH, INTERLOCK Note: SWITCH-INTERLOCK	1

12/06

*Color Code (-)=Not Shown #=Series, Serial Prefix or Run No., N=Not Available

Section: CHASSIS ASSEMBLY PARTS 2

Model: KFC1_P1198622M



Section: CHASSIS ASSEMBLY PARTS 2

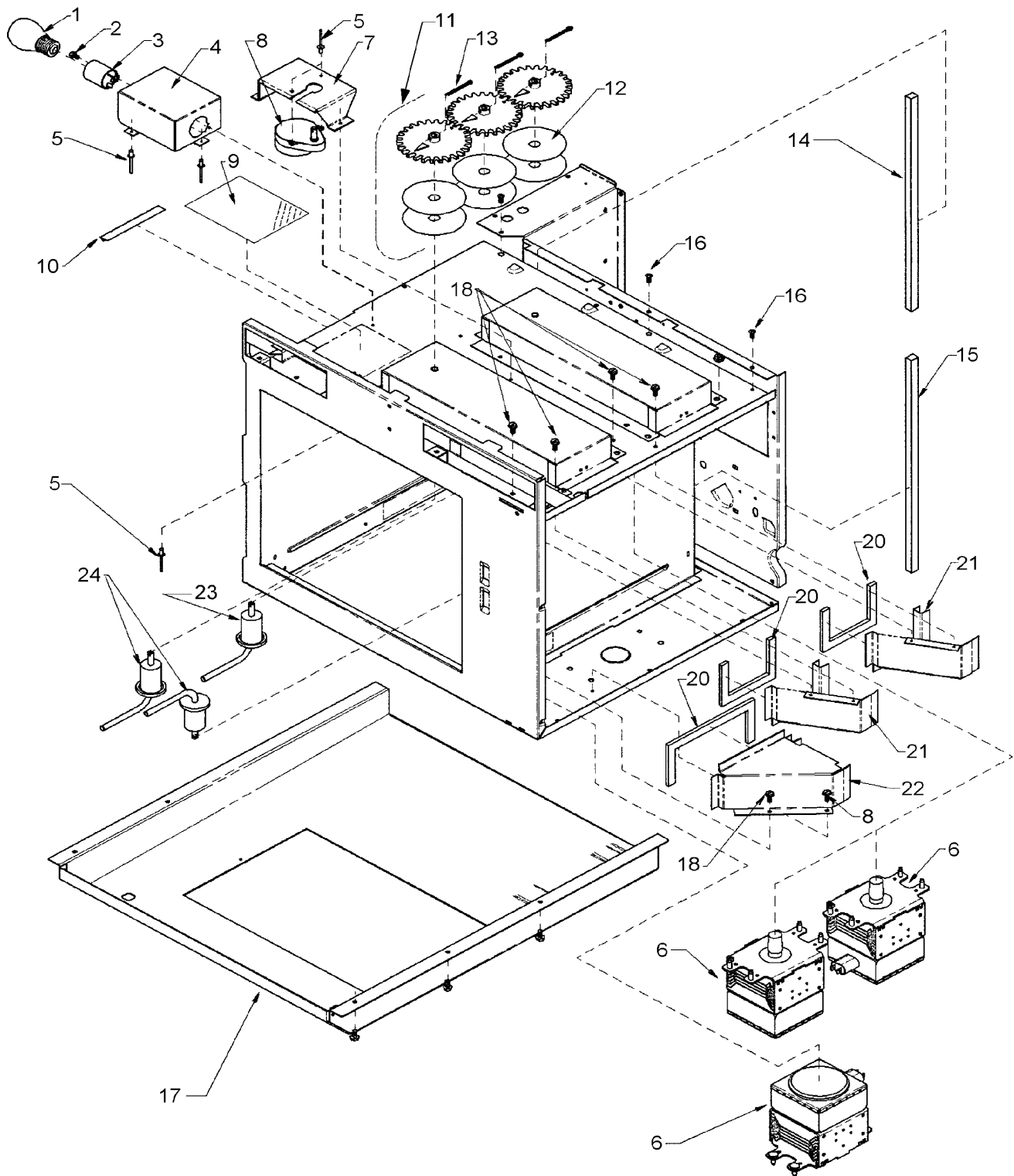
No.	Part No.	Description	Series Qty
1	12261714	BOARD, L.V. (KFC) Note: LV BOARD	1
2	M0585505	SUPPORT Note: SUPPORT	4
3	12164101	GROMMET-RUBBER Note: GROMMET-RUBBER	1
4	10853001	BRKT, WIRE SUPPORT Note: BRKT-WIRE SUPPORT	1
5	M0216515	SCREW Note: SCREW-SM	9
6	C8873931	RELAY Note: RELAY-POWER	1
8	N R0156941	ASSY, EXH DUCT Note: DUCT-EXHAUST	1
12	10763206	BOARD, H.V. Note: HV BOARD	1
13	C8901507	TRANSFORMER, AUTO Note: XFMR-AUTO	1
14	10091101	FUSE HOLDER Note: BLOCK-FUSE	1
16	10788611	TRANSFORMER-HV Note: TRANSFORMER-HV	3
17	B5677203	TERMINAL BLOCK Note: BLOCK-TERM	1
19	M0104106	CLIP Note: CLIP-CORD	3
20	A3293503	SNAP BUSHING Note: BUSHING-SNAP	1
21	M0370011	RELIEF-STRAIN Note: RELIEF-STRAIN	1
22	10098906	POWER CORD Note: CORD-POWER	1
25	A4055405	STRAP, CAPACITOR Note: STRAP-CAPACITOR	3
27	M0216716	SCREW Note: SCREW-SM	13
28	M0590602	SUPPORT P-C BD A Note: SUPPORT	7
29	B8383102	RECTIFIER Note: RECTIFIER	3
30	M0805205	FUSE- 30A Note: FUSE-30A	1
31	D8547928	CAPACITOR-.74 Note: CAPACITOR-DOUBLER	1
32	D8547929	CAPACITOR-.80 Note: CAPACITOR-DOUBLER	2
-	10902941	WIRE, JUMPER #6 Note: WIRE-JUMPER #6	1
-	12329001	HARNESS, OVEN Note: HARNESS-OVEN	1
-	12424701	HARNESS, HI VOLTAGE Note: HARNESS-HV	1
-	12424801	HARNESS, TRANSFORMER Note: HARNESS-XFMR	1

12/06

*Color Code (-)=Not Shown #=Series, Serial Prefix or Run No., N=Not Available

Section: CHASSIS ASSEMBLY PARTS 3

Model: KFC1_P1198622M



Section: CHASSIS ASSEMBLY PARTS 3

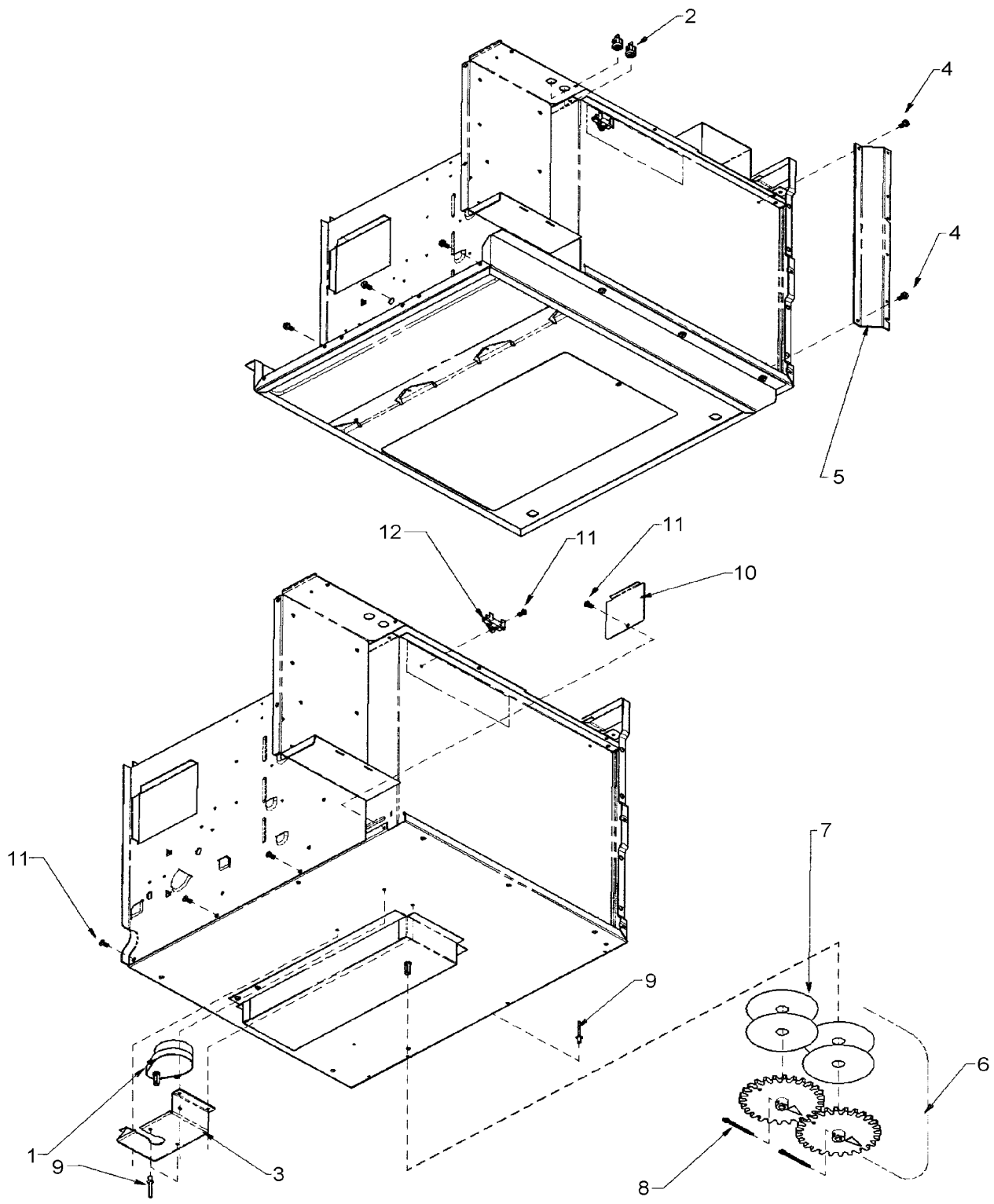
No.	Part No.	Description	Series Qty
1	A0282802	BULB, LIGHT(240) Note: LAMP-40W	1
2	M0216529	SCREW Note: SCREW-SM	4
3	B8371401	RECEPTACLE, LAMP Note: RECEPTACLE-LAMP	1
4	10782501	BRKT, LAMP Note: BRKT-LAMP	1
5	A4539605	POP RIVETS Note: RIVET-POP	13
6	10489402	MAGNETRON-T Note: MAGNETRON-T	3
7	10782202	BRKT-MOTOR MTG Note: BRACKET-MOTOR MOUNTING	2
8	R0150102	MOTOR-ANTENNA Note: ANTENNA MOTOR	2
9	B8367702	WINDOW, OVEN LIGHT Note: WINDOW-OVEN LIGHT	1
10	M0275035	TAPE, STRAPPING Note: TAPE-STRAPPING	1
11	R0156917	KIT, GEAR Note: GEAR-SPUR	5
12	10903002	WASHER. SPUR GEAR Note: WASHER-SPUR GEAR	5
13	M1200005	PIN, COTTER Note: PIN-COTTER	5
14	10966601	GASKET, NEOPRENE Note: GASKET-NEOPRENE	1
15	A3030311	GASKET-PER INCH Note: GASKET	1
16	M0216716	SCREW Note: SCREW-SM	3
17	R0156923	ASSY, BASE PAN Note: BASEPAN ASSY	1
18	M0216703	SCREW *** Note: SCREW-SM	6
20	A3030330	GASKET,PER FT Note: GASKET	2
21	R0156984	TOP EXHAUST DUCT-W/GASKET Note: DUCT-TOP EXHAUST	2
22	R0156985	BOTTOM EXHAUST DUCT-W/GASKET Note: DUCT-BOT EXHAUST	1
23	10787602	ASSY, ANTENNA (BLUE TIP) Note: ANTENNA ASSY-TOP REAR	1
24	10787601	ASSY, ANTENNA (PLAIN TIP) Note: ANTENNA ASSY-TOP REAR	1
-	10901201	HARNESS, OVEN LAMP Note: HARNESS-OVEN LAMP	1

12/06

*Color Code (-)=Not Shown #=Series, Serial Prefix or Run No., N=Not Available

Section: CHASSIS ASSEMBLY PARTS 4

Model: KFC1_P1198622M



Section: CHASSIS ASSEMBLY PARTS 4

No.	Part No.	Description	Series Qty
1	R0150102	MOTOR-ANTENNA Note: ANTENNA MOTOR	1
2	M0325401	BUSHING,TERMINAL Note: BUSHING-TERM	2
3	10782202	BRKT-MOTOR MTG Note: BRACKET-MOTOR MOUNTING	1
5	12189001	BRKT, HINGE SUPPORT Note: BRACKET-HINGE SUPPORT	1
8	M1200005	PIN, COTTER Note: PIN-COTTER	5
9	A4539605	POP RIVETS Note: RIVET-POP	13
10	10847601	PLATE, PARTITION Note: PLATE-PARTITION	1
12	B5795306	THERMAL CUTOUT Note: CUTOUT-THERMAL-CAVITY	1

