

Repair Parts List

MODEL NUMBER

HDC21

MANUFACTURING
NUMBER

P1323016M

COMMERCIAL MICROWAVE

When requesting service or ordering parts, always provide the following information:

- Product Type
- Part Number
- Model Number
- Part Description

Amana[®]
HIGH PERFORMANCE HAS A NAME™

PART OF  FOODSERVICE GROUP

December 15 2006

Section: MISCELLANEOUS INFORMATION

Model: HDC21_P1323016M

No image available

Section: MISCELLANEOUS INFORMATION

No.	Part No.	Description	Series Qty
1	12392743	MNL,OWNERS (HDC21) Note: MANUAL-OWNERS	1
1	RS2240002	MNL,SVC-COMM'L MICRO Note: MANUAL-SERVICE	1
1	RP2230004	MNL,PTS-COMM'L MICRO OVENS	1
1	R0193551	BIT FOR TORX 15H DRIVE SCREWS Note: T-15 TORX BIT DRIVER-OUTER DOO	1

12/06

*Color Code (-)=Not Shown #=Series, Serial Prefix or Run No., N=Not Available

Section: CONTROL/ANTENNA & BASEPAN ASSEMBLY

Model: HDC21_P1323016M

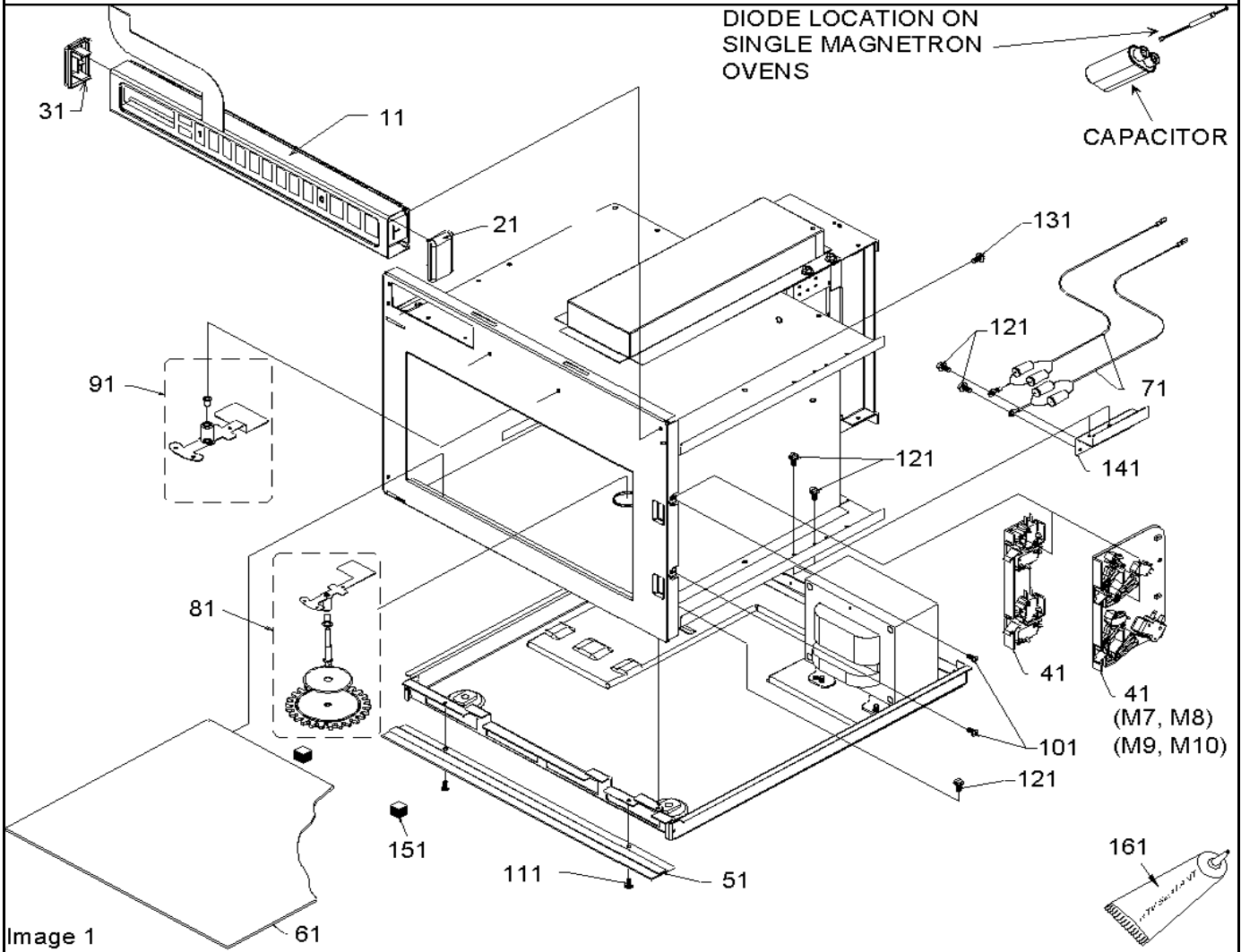
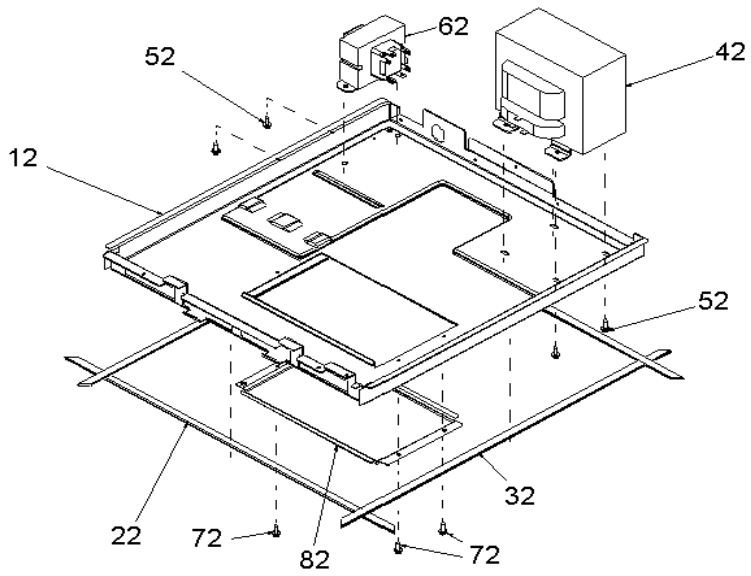


Image 1

Image 2



Section: CONTROL/ANTENNA & BASEPAN ASSEMBL

No.	Part No.	Description	Series	Qty
11	R9900111	ASSY, TOUCH PANEL Note: TOUCH PANEL		1
12	R0000036	ASSY, BASE PAN * Note: BASEPAN WELD-E CT INCLUDES ITEM 22, 32, 72 AND 82		1
21	12131001	ENDCAP-ESC (RIGHT) Note: ENDCAP-ESC		1
22	10732514Q	GASKET,BASEPAN - CUT Note: BP GASKET-CUT		2
31	12131002	ENDCAP-ESC (LEFT) Note: ENDCAP-ESC		1
32	10732515Q	GASKET,BASEPAN - CUT Note: BP GASKET-CUT		2
41	12538901Q	ASSY,INTERLOCK SWITCH Note: INTERLOCK SW ASSY		1
42	12136102	TRANSFORMER- HV Note: TRANSFORMER		1
51	12131301	TRIM-OC Note: TRIM-OC		1
52	M0251028	SCREW, T.C. Note: SCREW-TC		6
61	R0150144	TRAY-CERAMIC FLOOR W/SEALER Note: TRAY-OVEN INCLUDES SEALER-RTV & SCRAPER-RTV.		1
62	C8901509	TRANSFORMER-AUTO Note: XFMR-AUTO		1
71	R9800022	KIT, DIODE Note: DIODE ASSY		2
72	M0216515	SCREW Note: SCREW-SM		3
81	R9900585	KIT,ANTENNA(BOTTOM) Note: ANTENNA ASSY-BOTTOM INCLUDES ANTENNA, CLIP, SHAFT, WASHER, GEAR & RTV SEALER.		1
82	12486002	BASE COVER, E CT Note: BASE COVER-E CT		1
91	R0150185	ASSY, ANT/RETAINER Note: ANTENNA ASSY-TOP		1
101	M0237906	SCREW-HI-LO Note: SCREW-HI LO		2
111	M0210816	SCREW, SM Note: SCREW-SM		2
121	M0216517	SCREW Note: SCREW-SM		13
131	M0216703	SCREW *** Note: SCREW-SM		15
141	12529501	BRACKET, DIODE Note: BRKT-DIODE		1
151	12496801	SUPPORT, SHELF Note: SUPPORT-SHELF		2
161	M0275598	SEALER Note: SEALER-RTV		1

12/06

*Color Code (-)=Not Shown #=Series, Serial Prefix or Run No., N=Not Available

Section: SPLASH SHIELD/BLOWER/CAVITY

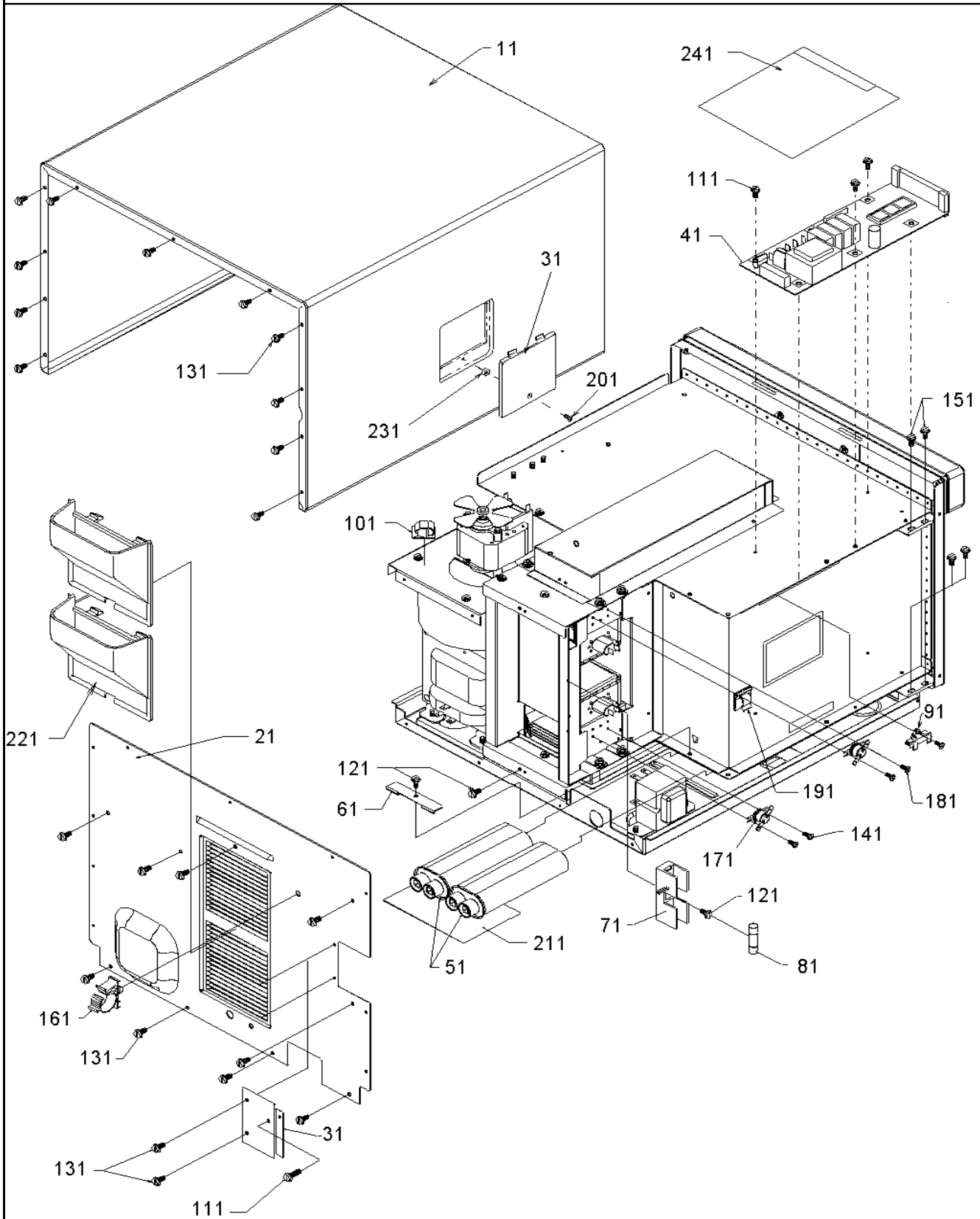
No.	Part No.	Description	Series	Qty
11	12126601	SHIELD-GREASE Note: SHIELD-GREASE		1
12	12271103	BRKT, BLOWER MTG Note: BRKT-BLOWER MTG		1
21	R9900114	ASSY, WINDOW KIT (LIGHT LENS) Note: WINDOW-OVEN LIGHT	INCLUDES 4 SCREWS	1
22	12138105	BLOWER MOTOR Note: MOTOR-BLOWER		1
31	12135803	FILTER Note: FILTER		1
32	12138201	WHEEL-BLOWER Note: WHEEL-BLOWER		1
41	12538601	HARNESS, OVEN Note: HARNESS-OVEN		1
42	12138302	SCROLL-BLOWER Note: SCROLL-BLOWER		1
51	M0216515	SCREW Note: SCREW-SM		11
52	N M0253942	SCREW Note: SCREW-TF		2
61	12525701	BARRIER, AIR Note: BARRIER-AIR		1
62	M0216517	SCREW Note: SCREW-SM		5
71	12134101	DIVIDER-FLOW Note: DIVIDER-FLOW		1
72	A3030302	GASKET Note: GASKET		12
81	A3030302	GASKET Note: GASKET		30
82	M0118901	CLIP Note: CLIP-PUSH		1
91	M0216517	SCREW Note: SCREW-SM		5
92	B5706704	FAN BLADE Note: FAN-BLADE		1
101	M0308801	CAP, PROTECTIVE-THREADED (RED) Note: CAP-SCREW		2
111	D7681501	TRIAC Note: TRIAC		1
121	10172901Q	SNUBBER ASSEMBLY Note: SNUBBER ASSY		1
131	12002678	CAVITY KIT- HDC18, 21 Note: KIT INCLUDES TRAY, ANTENNAS & ANTENNA MOTORS		1

12/06

*Color Code (-)=Not Shown #=Series, Serial Prefix or Run No., N=Not Available

Section: ELECTRICAL COMPONENTS

Model: HDC21_P1323016M



Section: ELECTRICAL COMPONENTS

No.	Part No.	Description	Series Qty
11	12408501	WRAPPER, OUTER CASE Note: WRAPPER-OC	1
21	12296804	PAN, ACCESS-E CT Note: ACCESS PAN-E CT	1
31	10785608	COVER LIGHT (SS) Note: COVER-LIGHT	1
41	12470109	BOARD-HV/LV Note: BOARD-HV/LV	1
51	10366917	CAPACITOR .82 Note: CAPACITOR-DOUBLER	1
61	12132501	STRAP-CAPACITOR Note: STRAP-CAPACITOR	1
71	10091102	BLOCK, CC FUSE Note: BLOCK-FUSE	1
81	M0805303	FUSE, 20 AMP Note: FUSE-20A	1
91	B5795302	THERMAL CUT OUT Note: CUTOUT-THERMAL CAVITY	1
101	M0104102	CLIP, CORD Note: CLIP-CORD	1
111	M0211008	SCREW Note: SCREW-SM	3
121	M0216515	SCREW Note: SCREW-SM	9
131	M0216703	SCREW *** Note: SCREW-SM	15
141	M0251717	SCREW Note: SCREW-TF	4
151	M0253540	SCREW-TC Note: SCREW-TF	4
161	M0118705	CLIP, GUIDE Note: CLIP-GUIDE	1
171	B5684121	CUT OUT, THERMAL Note: CUTOUT-THERMAL MAGNETRON	2
181	M0234422	SCREW Note: SCREW,8-32 X 1/4	1
191	M0104106	CLIP Note: CLIP-CORD	2
201	M0249619	SCREW, T F Note: SCREW-TF	1
211	10459002	OVERLAY-S/P Note: FILM-POLYESTER	1
221	12296601	DUCT, AIR Note: DUCT-AIR	2
231	M0274072	SPACER, RUBBER Note: SPACER-RUBBER	1
241	12160602	SHIELD, SPILL Note: SHIELD-SPILL	1

12/06

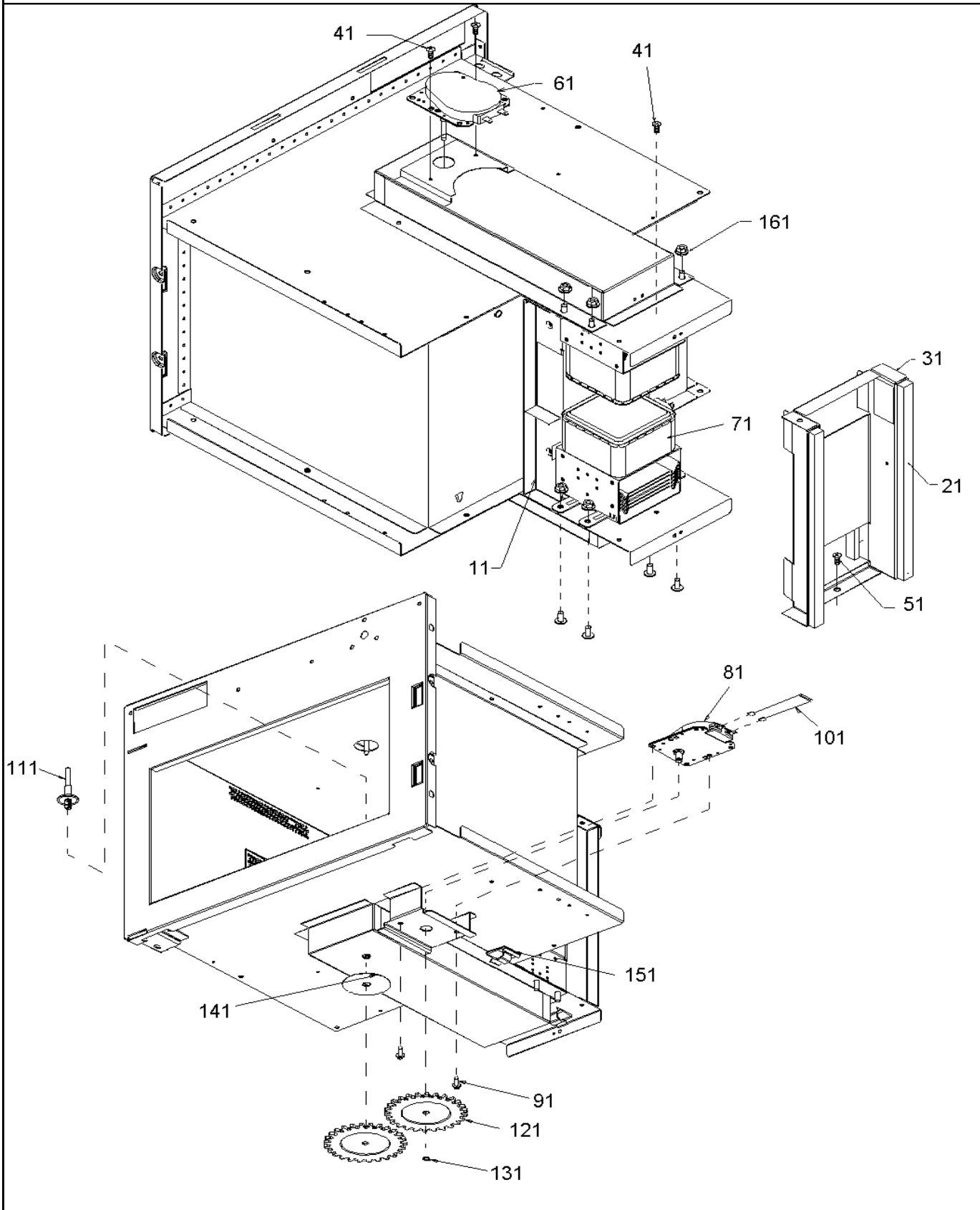
*Color Code (-)=Not Shown #=Series, Serial Prefix or Run No., N=Not Available

Section: LIGHT

No.	Part No.	Description	Series Qty
11	10098917	POWER CORD Note: CORD-POWER	1
21	M0370003	STRAIN RELIEF Note: RELIEF-STRAIN	1
31	N R9900126	ASSY, EXHAUST DUCT KIT Note: CAV EXH DUCT-E CT	1
41	A3073101	BULB Note: LAMP-25W	1
51	R9900584	KIT, RECEPTACLE Note: RECEPTICAL-LAMP INCLUDES POP RIVET	1
61	M0216515	SCREW Note: SCREW-SM	9
71	M0216529	SCREW Note: SCREW-SM	6
81	A3030302	GASKET Note: GASKET	30
91	M0231604	SCREW, TF Note: SCREW-TF	2
101	M0275058	TAPE, FOAM Note: TAPE-FOAM	32
111	10966607	GASKET,NEOPRENE(1 ROLL) Note: GASKET-NEOPRENE	7
121	A4539625	POP RIVET Note: RIVET-POP (QTY 4)	1
131	12159102	HARNESS, HI VOLT Note: HARNESS-HV	1

Section: MAGNETRON/STIRRER MOTOR

Model: HDC21_P1323016M



Section: MAGNETRON/STIRRER MOTOR

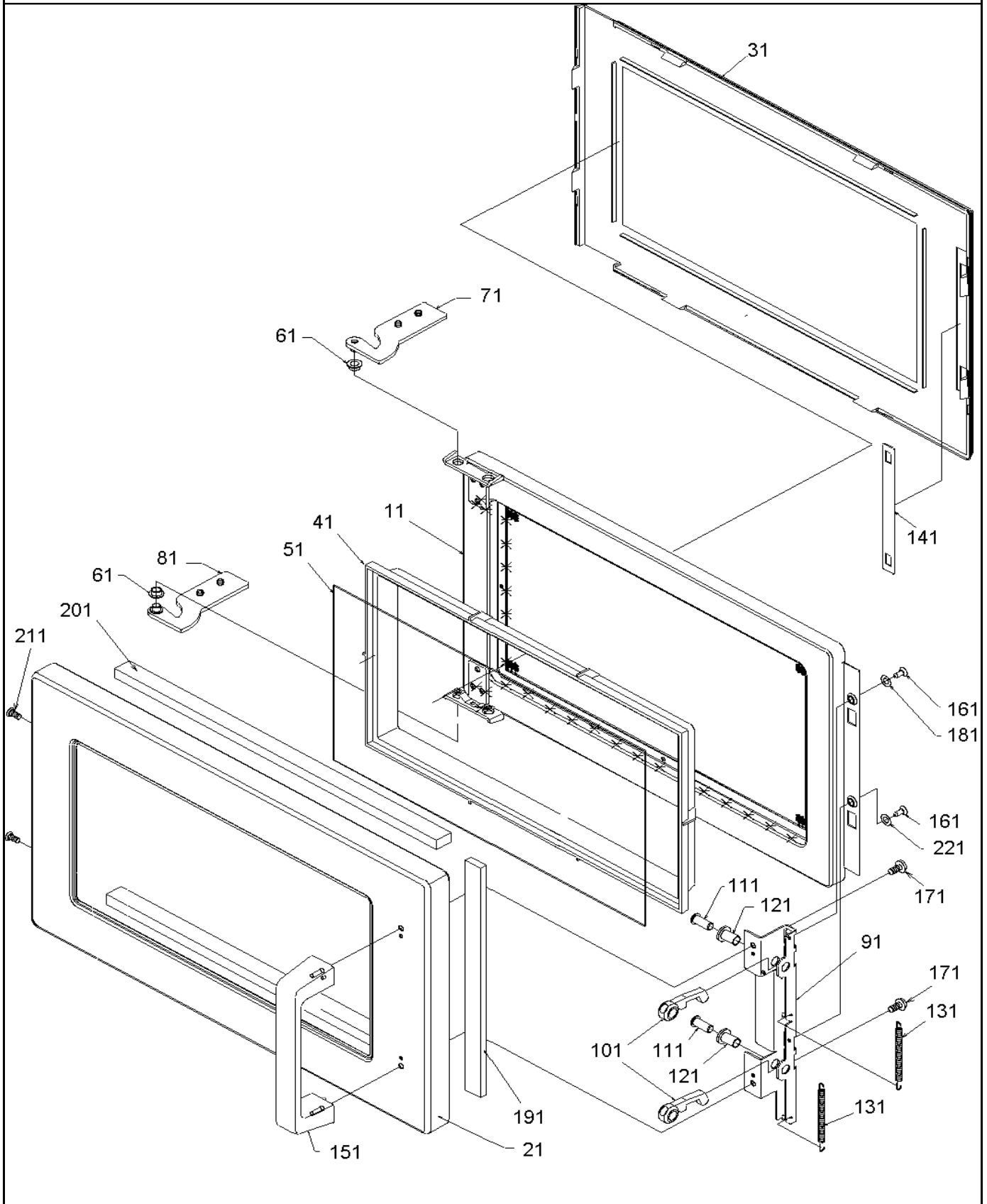
No.	Part No.	Description	Series Qty
11	R0150161	ASSY, DUCT Note: DUCT-MAG INLET	1
21	10966607	GASKET,NEOPRENE(1 ROLL) Note: GASKET-NEOPRENE	19
31	12107402	DUCT-MAG OUTLET Note: DUCT-MAG OUTLET	1
41	M0216515	SCREW Note: SCREW-SM	1
51	M0251028	SCREW, T.C. Note: SCREW-TC	1
61	R0150197	MOTOR-STIRRER (230V) Note: MOTOR-TOP ANTENNA	1
71	10489404	MAGNETRON-T Note: MAGNETRON-T	1
81	R9900668	KIT,ANTENNA MOTOR(230V) Note: MOTOR-BOTTOM ANTENNA INCLUDES GEAR-SPUR & RING-RETAINER.	1
91	M0253540	SCREW-TC Note: SCREW-TF	1
101	12485601	HARNESS, LW ANTENNA Note: HARNESS-LW ANTENNA	1
111	R9900585	KIT,ANTENNA(BOTTOM) Note: ANTENNA ASSY-BOTTOM INCLUDES ANTENNA, CLIP, SHAFT,WASHER AND GEAR	1
121	12485701	GEAR,SPUR Note: GEAR-SPUR	2
131	M0274902	RING, RETAINER Note: RING-RETAINER	1
141	12520001	WASHER, BEARING Note: WASHER-BEARING	1
151	M0104106	CLIP Note: CLIP-CORD	2
161 N	5014-J	IA 5MM FLANGE WHIZ-LK NUT (25) Note: NUT-MAGNETRON	4

12/06

*Color Code (-)=Not Shown #=Series, Serial Prefix or Run No., N=Not Available

Section: DOOR ASSY

Model: HDC21_P1323016M



Section: DOOR ASSY

No.	Part No.	Description	Series Qty
11	12472202	DOOR RING WELD, E CT Note: DR RNG WELD-E CT	1
21	R9900567	DOOR, OUTER Note: OUTER DOOR INCLUDES ITEM 191 AND 201.	1
31	R0150148	ASSY,INNER DOOR*** Note: DOOR-INNER	1
41	R0150147	RETAINER, LENS Note: RETAINER-LENS	1
51	12133804	WINDOW-OUTER Note: WINDOW-OUTER	1
61	5210001001	BUSHING, NYLON Note: SHOULDER WASHER NY	2
71	12126805	PLATE, HINGE (UPPER) Note: TOP HNG PLT WELD	1
81	12126806	PLATE, HINGE (LOWER) Note: BOT HNG PLT WELD	1
91	12114401	BRKT-DOOR LATCH Note: BRKT-DOOR LATCH	1
101	12126901	LATCH-DOOR Note: LATCH-DOOR	2
111	12127001	PIN-LATCH Note: PIN-LATCH	2
121	M0800501	SPACER Note: SPACER	2
131	C8893502	SPRING, DOOR LATCH Note: SPRING-DOOR LATCH	2
141	12526201	LINKAGE, DR LATCH Note: LINKAGE-DR LATCH	1
151	12133901	HANDLE-DOOR Note: HANDLE-DOOR	1
161	M0230815	SCREW Note: SCREW-TC	2
171	M0253516	SCREW Note: SCREW-TF	2
181	M0272503	WASHER Note: WASHER-LOCK	1
191	12210803	ENERGY, STRIP Note: ABSORBER-ENERGY	2
201	12210804	ENERGY, STRIP Note: ABSORBER-ENERGY	1
211	M0230518	SCREW, TC Note: SCREW-TC T-15 TORX HEAD	2
221	M0274066	WASHER, NYLON Note: WASHER-NYLON	1

12/06

*Color Code (-)=Not Shown #=Series, Serial Prefix or Run No., N=Not Available

