

Repair Parts List

MODEL NUMBER

HDC212

MANUFACTURING
NUMBER

P1331207M

COMMERCIAL MICROWAVE

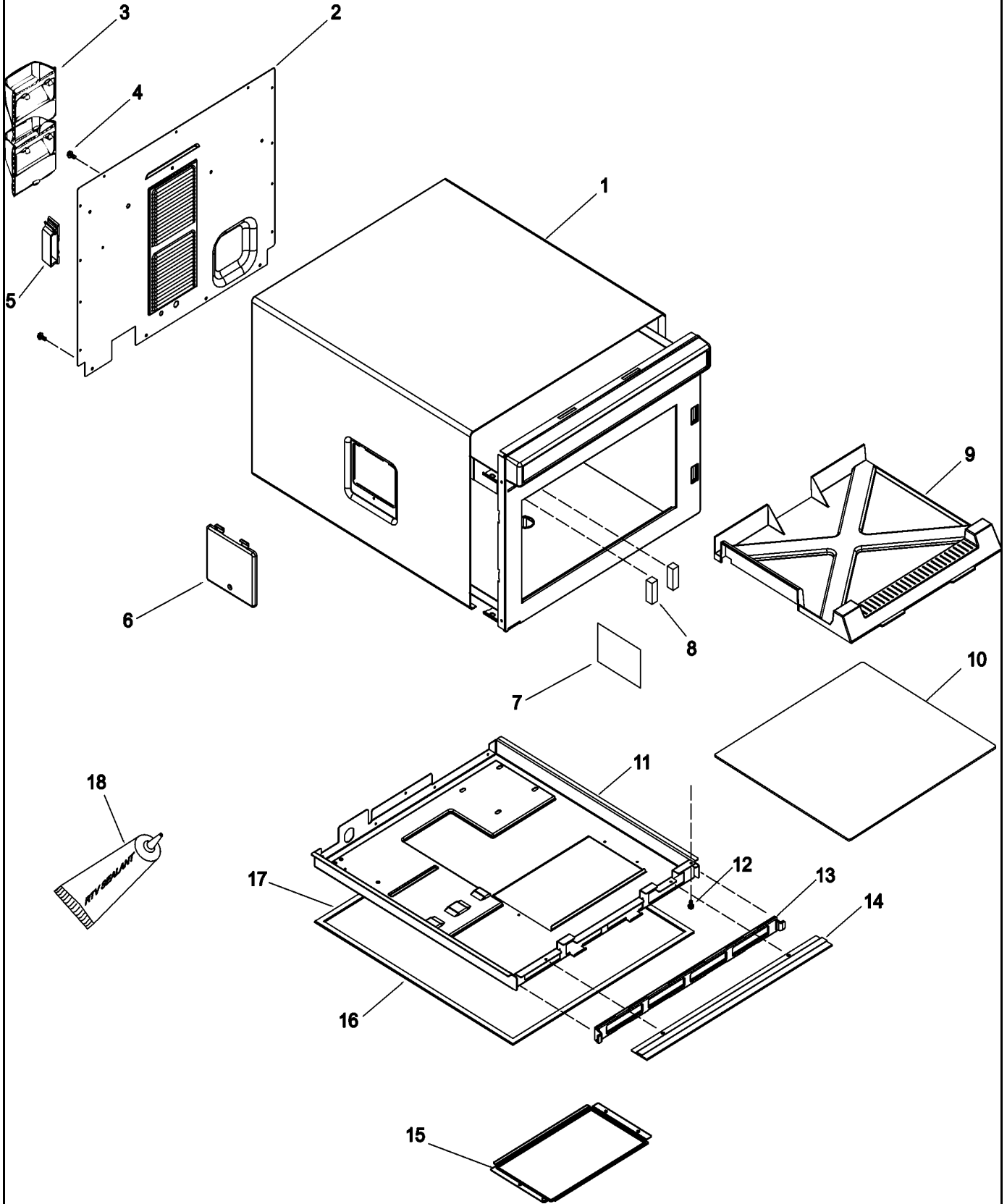
When requesting service or ordering parts, always provide the following information:

- Product Type
- Part Number
- Model Number
- Part Description

Amana[®]
HIGH PERFORMANCE HAS A NAME[™]

Section: TRAY, GREASE SHIELD, CABINET,

Model: HDC212_P1331207M

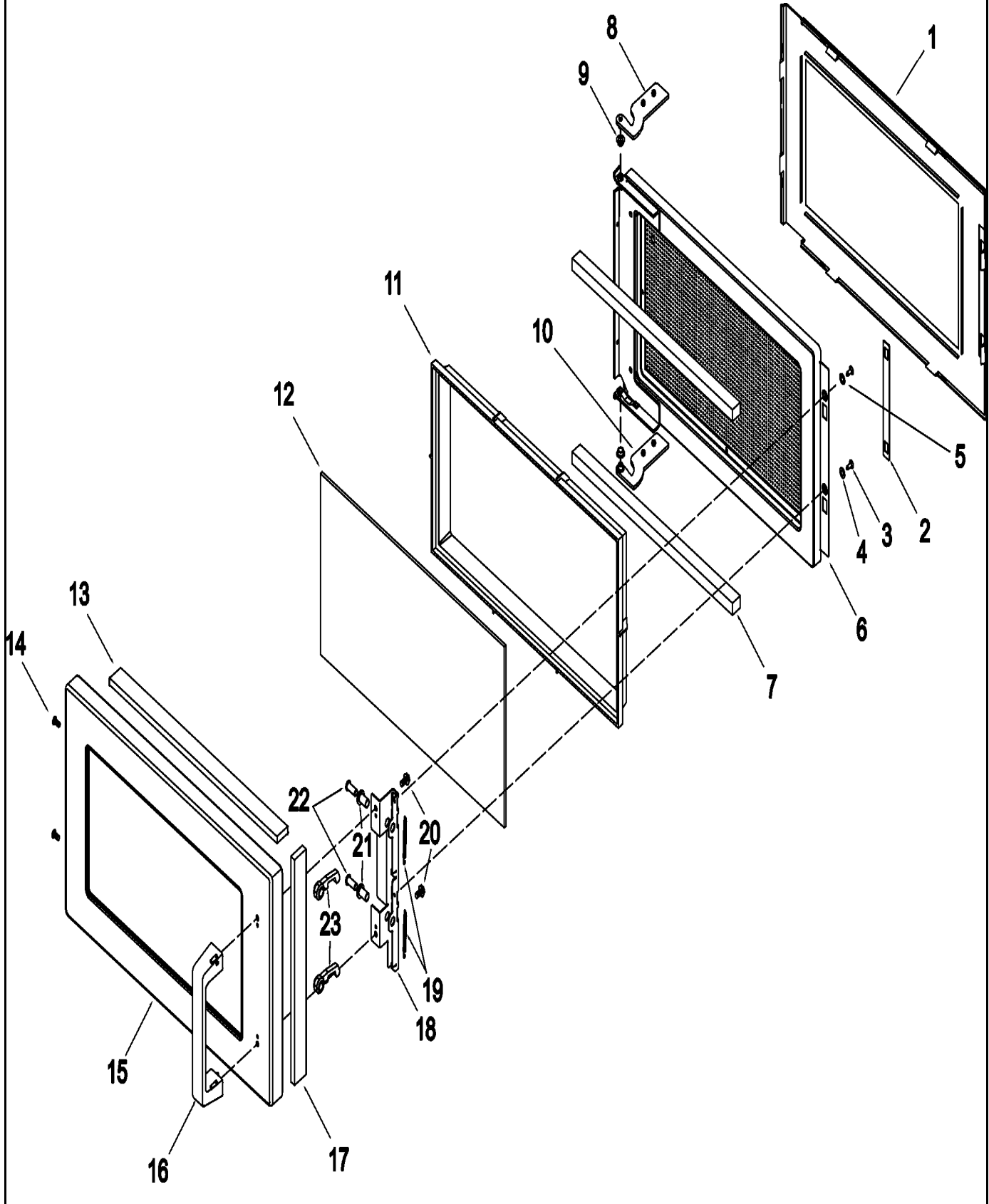


Section: TRAY, GREASE SHIELD, CABINET,

No.	Part No.	Description	Series Qty
1	12408501	WRAPPER, OUTER CASE	1
2	12296804	PAN, ACCESS-E CT	1
3	12296601	DUCT, AIR	2
4	M0216703	SCREW ***	17
5	M0118705	CLIP, GUIDE	1
-	M0249632	SCREW, T F	1
6	10785608	COVER LIGHT (SS)	1
-	M0274072	SPACER, RUBBER	1
7	R9900114	ASSY, WINDOW KIT (LIGHT LENS)	1
8	12496801	SUPPORT, SHELF	2
9	12126601	SHIELD-GREASE	1
10	R0150144	TRAY-CERAMIC FLOOR W/SEALER	1
11	R0000036	ASSY, BASE PAN *	1
12	M0216529	SCREW	1
13	59001659	SCREEN FILTER	1
-	M0210816	SCREW, SM	2
14	12131301	TRIM-OC	1
15	12486002	BASE COVER, E CT	1
-	M0216515	SCREW	3
16	59001643	GASKET,BASEPAN - CUT	2
17	59001642	GASKET,BASEPAN - CUT	2
18	M0275598	SEALER	1

Section: DOOR

Model: HDC212_P1331207M

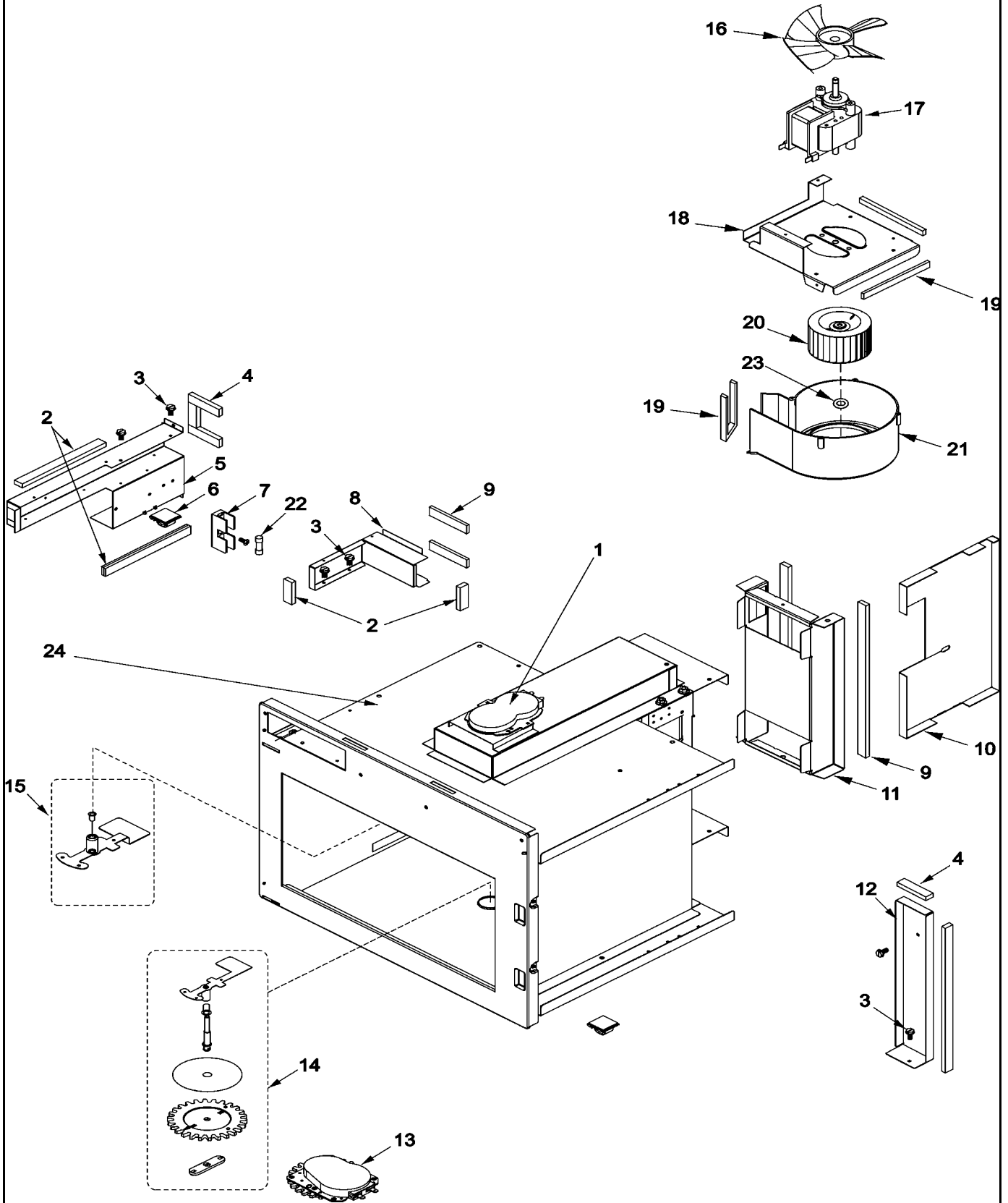


Section: DOOR

No.	Part No.	Description	Series Qty
1	R0150148	ASSY,INNER DOOR***	1
2	12526201	LINKAGE, DR LATCH	1
3	M0230815	SCREW	2
4	M0274066	WASHER, NYLON	1
5	M0272503	WASHER	1
6	12472202	DOOR RING WELD, E CT	1
7	10966601	GASKET, NEOPRENE	2
8	12126805	PLATE, HINGE (UPPER)	1
9	5210001001	BUSHING, NYLON	2
10	12126806	PLATE, HINGE (LOWER)	1
11	R0150147	RETAINER, LENS	1
12	12133804	WINDOW-OUTER	1
13	12210804	ENERGY, STRIP	1
14	M0230518	SCREW, TC	2
15	R9900567	DOOR, OUTER	1
16	12133901	HANDLE-DOOR	1
17	12210803	ENERGY, STRIP	2
18	12114401	BRKT-DOOR LATCH	1
19	C8893502	SPRING, DOOR LATCH	2
20	M0253516	SCREW	2
21	M0800501	SPACER	2
22	12127001	PIN-LATCH	2
23	12126901	LATCH-DOOR	2

Section: FUSES, ANTENNAS, BLOWER, DUCTS, CAVITY

Model: HDC212_P1331207M

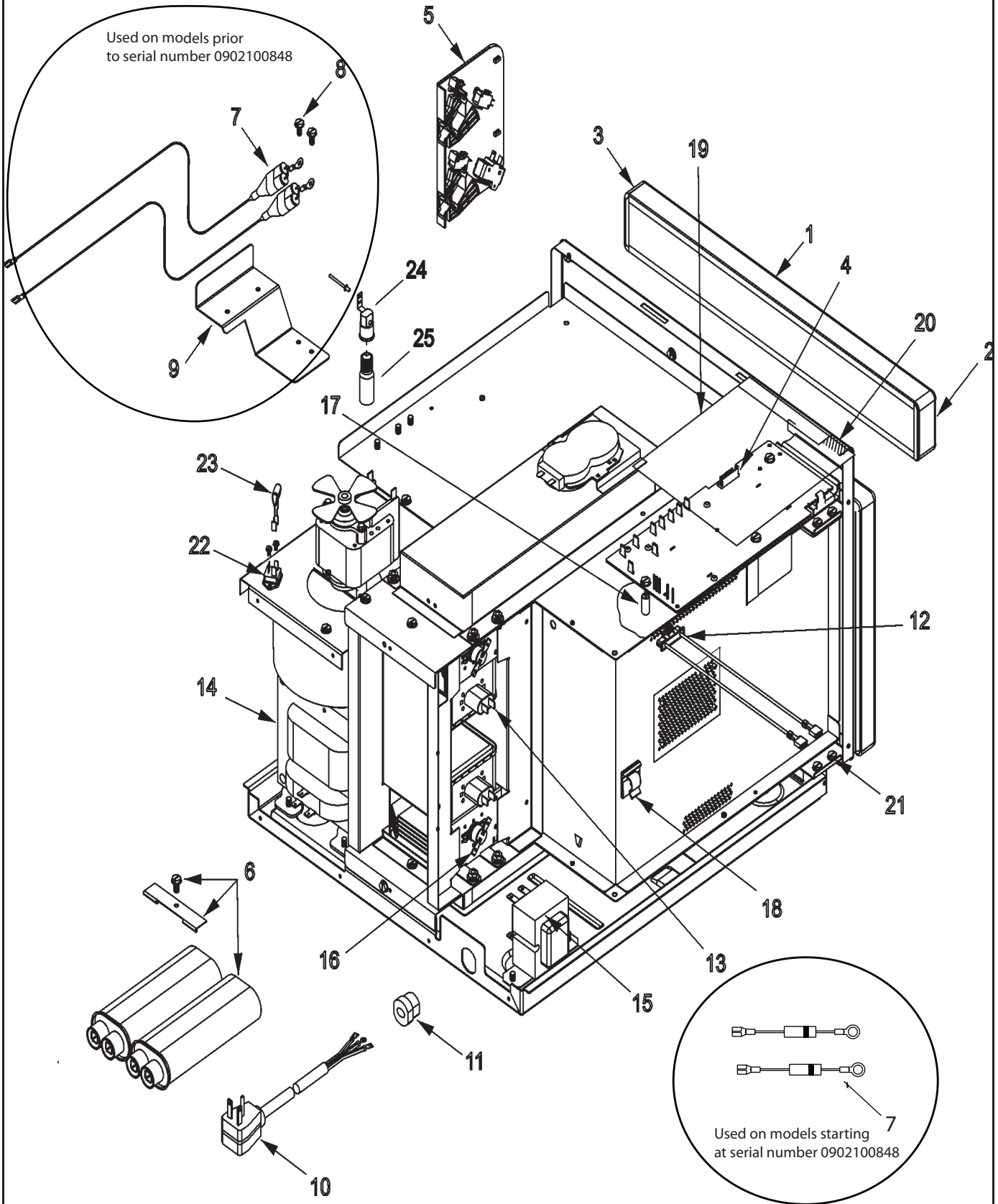


Section: FUSES, ANTENNAS, BLOWER, DUCTS, CAVI

No.	Part No.	Description	Series Qty
1	R0150197	MOTOR-STIRRER (230V)	1
2	M0275058	TAPE, FOAM	5
3	M0216515	SCREW	6
4	A3030302	GASKET	3
5	12135604	DUCT,CAV EXH-E CT	1
6	M0104106	CLIP	2
-	M0216515	SCREW	1
7	10091101	FUSE HOLDER	1
8	12135704	ASSY, EXHAUST DUCT KIT	1
9	10966607	GASKET,NEOPRENE(1 ROLL)	4
10	12134101	DIVIDER-FLOW	1
11	59001558	DUCT-MAG OUTLET	1
12	12525701	BARRIER, AIR	1
13	R9900668	KIT,ANTENNA MOTOR(230V)	1
14	R9900585	KIT,ANTENNA(BOTTOM)	1
15	R0150185	ASSY, ANT/RETAINER	1
16	B5706704	FAN BLADE	1
17	12138105	BLOWER MOTOR	1
18	12271103	BRKT, BLOWER MTG	1
19	A3030303	GASKET (PER FOOT)	3
20	12138201	WHEEL-BLOWER	1
21	12138302	SCROLL-BLOWER	1
22	M0805303	FUSE, 20 AMP	1
23	M0118901	CLIP	1
24	12002678	CAVITY KIT- HDC18, 21 Note: KIT INCLUDES TRAY, ANTENNAS & ANTENNA MOTORS	1

Section: ELECTRICAL COMPONENTS

Model: HDC212_P1331207M



Section: ELECTRICAL COMPONENTS

No.	Part No.	Description	Series Qty
-	M0216517	SCREW	4
1	R9900111	ASSY, TOUCH PANEL	1
2	12131001	ENDCAP-ESC (RIGHT)	1
3	12131002	ENDCAP-ESC (LEFT)	1
-	M0227333	SCREW, TC	3
4	12002446	KIT, HV/LV BOARD	1
-	M0237906	SCREW-HI-LO	2
5	12538901Q	ASSY, INTERLOCK SWITCH	1
-	M0216515	SCREW	1
-	12132501	STRAP-CAPACITOR	1
6	59001650	CAPACITOR-.82	1
7	R9800022	KIT, DIODE (used prior to serial number 0902100848)	
-	13091701	DIODE (used starting at serial number 0902100848)	2
8	M0216529	SCREW	2
-	M0216515	SCREW	2
9	12529501	BRACKET, DIODE	1
10	10098917	POWER CORD	1
11	M0370003	STRAIN RELIEF	1
-	M0234422	SCREW	1
12	59001667	THERMAL CUT OUT	1
13	10489404	MAGNETRON-T	2
-	M0251028	SCREW, T.C.	4
14	12136102	TRANSFORMER- HV	1
-	M0251028	SCREW, T.C.	2
15	59001630	TRANSFORMER-AUTO	1
-	M0229916	SCREW T.C	4
16	B5684121	CUT OUT, THERMAL	2
17	M0308801	CAP, PROTECTIVE-THREADED (RED)	2
18	M0104106	CLIP	1
19	12160602	SHIELD, SPILL	1
20	M0275163	TAPE PER ROLL	1
21	M0253540	SCREW-TC	4
-	M0216515	SCREW	2
22	R0157373	KIT, TRIAC ASSY	1
23	10172901Q	SNUBBER ASSEMBLY	1
24	R9900584	KIT, RECEPTACLE	1
25	A3073101	BULB	1

Section: SUPPLEMENTAL INFORMATION

No.	Part No.	Description	Series Qty
1	RS2240002	MNL,SVC-COMM'L MICRO	1
2	N 59001618	MANUAL-OWNERS	1
3	RT2240005	TECH SHEET-COMM'L MICRO **NO	1
4	N 59001679	MANUAL, PRODUCT SAFETY	1
5	N 59001690	INSTR-QUICK START	1
6	R0193551	BIT FOR TORX 15H DRIVE SCREWS	1
7	59001668	HARNESS- OVEN	1
8	59001661	HARNESS, HI VOLT	1
9	12485601	HARNESS, LW ANTENNA	1
10	12155701	MENU LABEL	1

Section: WIRING INFORMATION

Model: HDC212_P1331207M

208 / 230V 60HZ
3-WIRE

SCHEMATIC
CONDITION:
DOOR OPEN

