

Repair Parts List

MODEL NUMBER

CRC18T2OG

MANUFACTURING
NUMBER

P1304436M

COMMERCIAL MICROWAVE

When requesting service or ordering parts, always provide the following information:

- Product Type
- Part Number
- Model Number
- Part Description

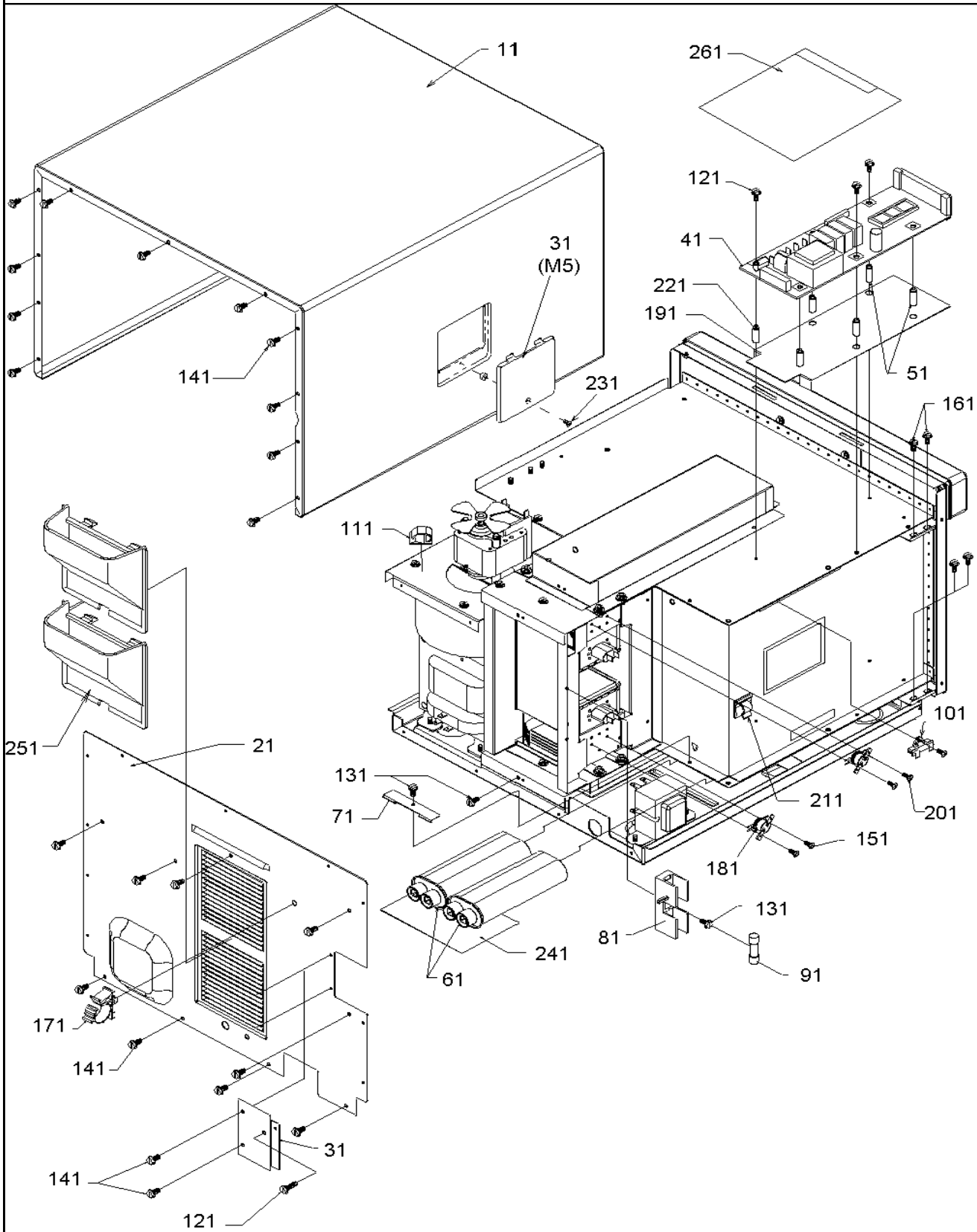
Amana[®]
HIGH PERFORMANCE HAS A NAME™

PART OF  FOODSERVICE GROUP

December 15 2006

Section: Electrical Components

Model: CRC18T2OG_P1304436M

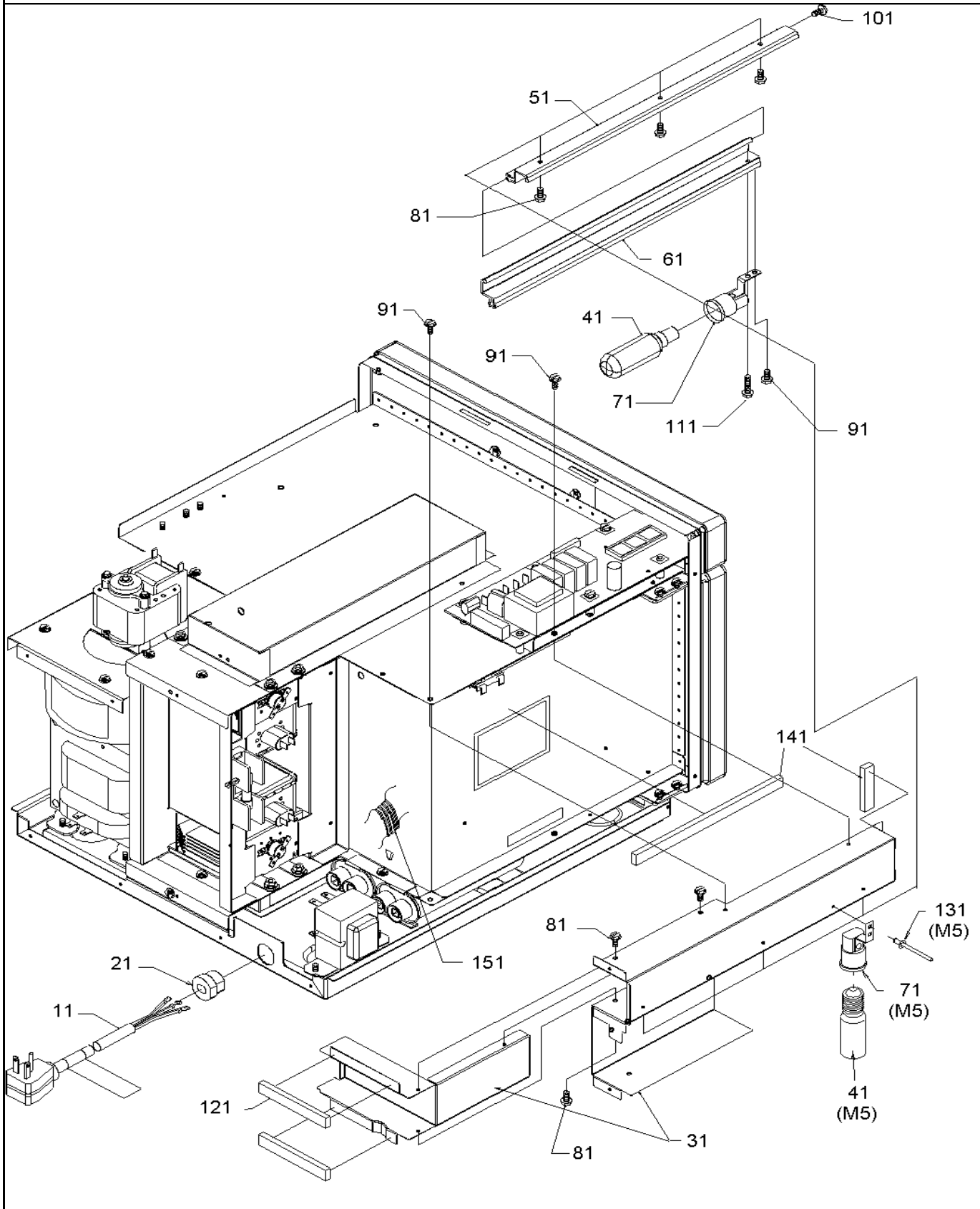


Section: Electrical Components

No.	Part No.	Description	Series	Qty
11	N 12114004Q	WRAPPER, OUTERCASE		1
21	12296802	ACCESS PAN-E CT		1
31	12131206	COVER, LAMP (E-CT)		1
41	12489801Q	BOARD,HV/LV-AMANA PROG		1
51	M0800601	SPACER		2
61	10366912	CAPACITOR		2
71	12132501	STRAP-CAPACITOR		1
81	10091101	FUSE HOLDER		1
91	M0805201	FUSE, 25 AMP		1
101	B5795302	THERMAL CUT OUT		1
111	M0104102	CLIP, CORD		1
121	M0216525	SCREW		0
131	M0216515	SCREW		0
141	M0216703	SCREW ***		0
151	M0251717	SCREW		0
161	M0253540	SCREW-TC		0
171	M0118705	CLIP, GUIDE		1
181	B5684121	CUT OUT, THERMAL		2
191	12150002	BARRIER, PC BOARD		1
201	M0234422	SCREW		0
211	M0104106	CLIP		1
221	M0800602	SPACER		4
241	10459002	OVERLAY-S/P		1
251	12296601	DUCT, AIR		2

Section: Light

Model: CRC18T2OG_P1304436M



Section: Light

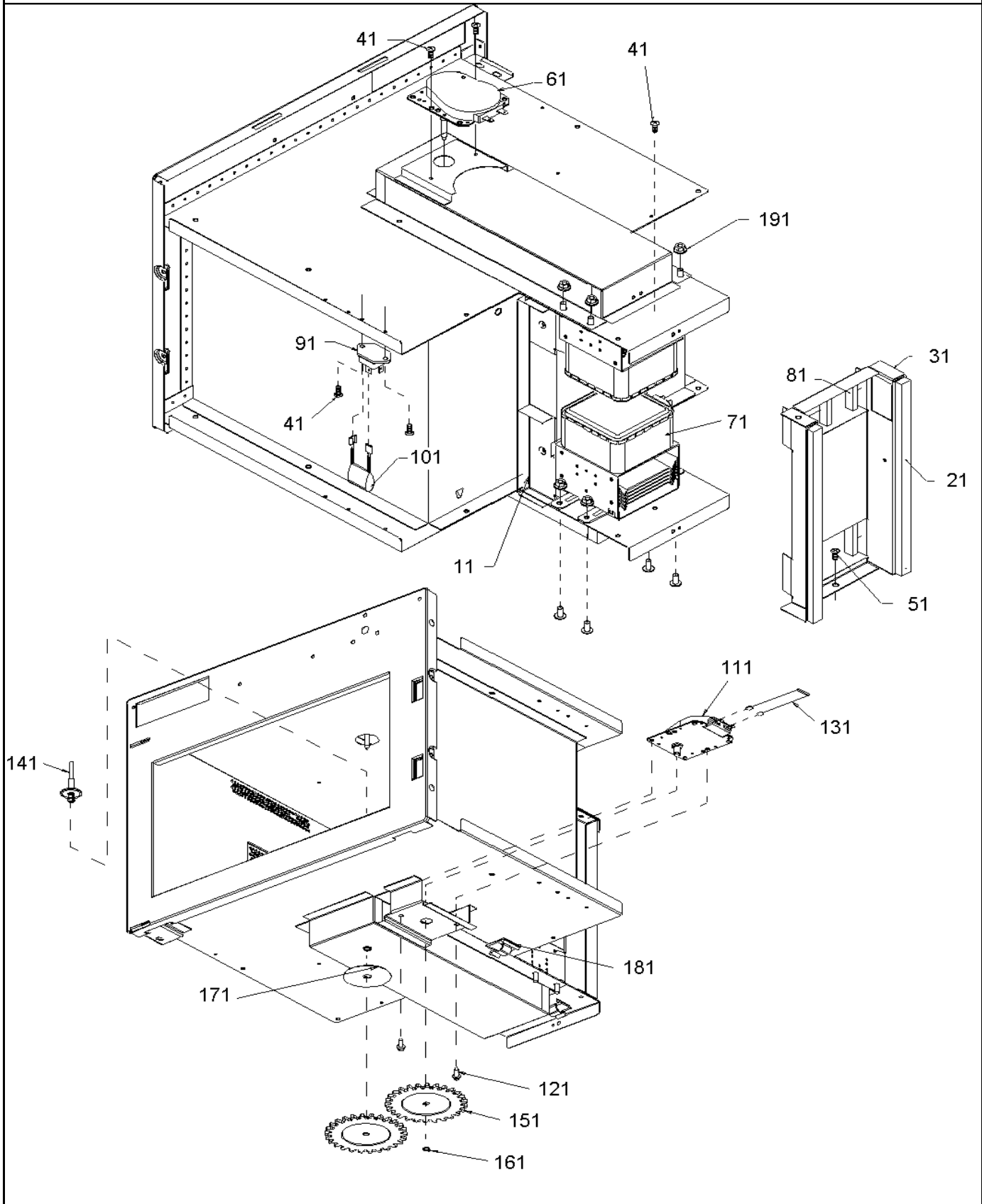
No.	Part No.	Description	Series Qty
11	10098917	POWER CORD	1
21	M0370003	STRAIN RELIEF	1
31	N R9900126	ASSY, EXHAUST DUCT KIT	1
41	A3073101	BULB	1
51	12133201	EXTRSN-LAMP ACCESS	1
61	12133203	EXTRN-LAMP ACS	1
71	12161401	RECEPTICAL-LAMP	1
81	M0216515	SCREW	0
91	M0216529	SCREW	0
101	M0253540	SCREW-TC	0
111	M0238921	SCREW, SM	0
121	10966607	GASKET,NEOPRENE(1 ROLL)	0
141	M0275058	TAPE, FOAM	0
151	12159102	HARNES, HI VOLT	1

12/06

*Color Code (-)=Not Shown #=Series, Serial Prefix or Run No., N=Not Available

Section: Magnetron/Stirrer Motor

Model: CRC18T2OG_P1304436M



Section: Magnetron/Stirrer Motor

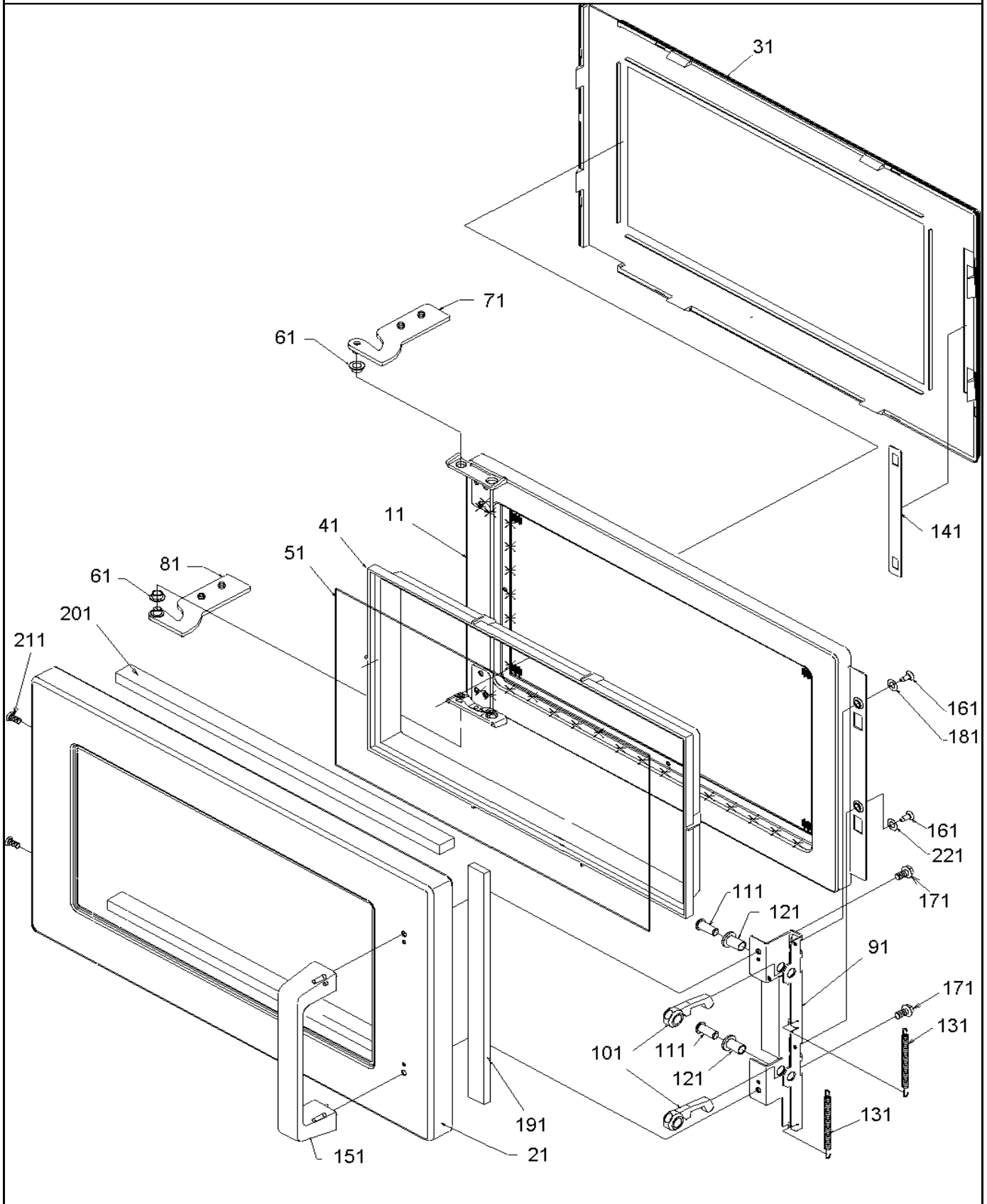
No.	Part No.	Description	Series Qty
11	R0150161	ASSY, DUCT	1
21	10966607	GASKET,NEOPRENE(1 ROLL)	0
31	12107402	DUCT-MAG OUTLET	1
41	M0216515	SCREW	0
51	M0251028	SCREW, T.C.	0
61	R0150197	MOTOR-STIRRER (230V)	1
71	D7831007	MAGNETRON-T	2
81	10966607	GASKET,NEOPRENE(1 ROLL)	0
91	R0000341	KIT,TRIAC RELOC	1
101	10172901Q	SNUBBER ASSEMBLY	1
191 N	5014-J	IA 5MM FLANGE WHIZ-LK NUT (25)	4

12/06

*Color Code (-)=Not Shown #=Series, Serial Prefix or Run No., N=Not Available

Section: Door Assy

Model: CRC18T2OG_P1304436M



Section: Door Assy

No.	Part No.	Description	Series Qty
11	R9900413	INNER/OUTER DOOR Note: INCLUDES ITEMS 21, 191, & 201.	1
21	R9900413	INNER/OUTER DOOR Note: INCLUDES ITEMS 11, 191, & 201.	1
31	R0150148	ASSY,INNER DOOR***	1
41	R0150147	RETAINER, LENS	1
51	12133802	WINDOW-OUTER	1
61	5210001001	BUSHING, NYLON	2
71	12126805	PLATE, HINGE (UPPER)	1
81	12126806	PLATE, HINGE (LOWER)	1
91	12114401	BRKT-DOOR LATCH	1
101	12126901	LATCH-DOOR	2
111	12127001	PIN-LATCH	2
121	M0800501	SPACER	2
131	C8893502	SPRING, DOOR LATCH	2
141	12127101	LINKAGE, DR LATCH	1
151	12133901	HANDLE-DOOR	1
161	M0230815	SCREW	0
171	M0253516	SCREW	0
181	M0272503	WASHER	1
191	12210803	ENERGY, STRIP	2
201	12210804	ENERGY, STRIP	1
211	M0230518	SCREW, TC	0
221	M0274066	WASHER, NYLON	1

12/06

*Color Code (-)=Not Shown #=Series, Serial Prefix or Run No., N=Not Available

Section: Control/Antenna & Basepan Assembly

Model: CRC18T2OG_P1304436M

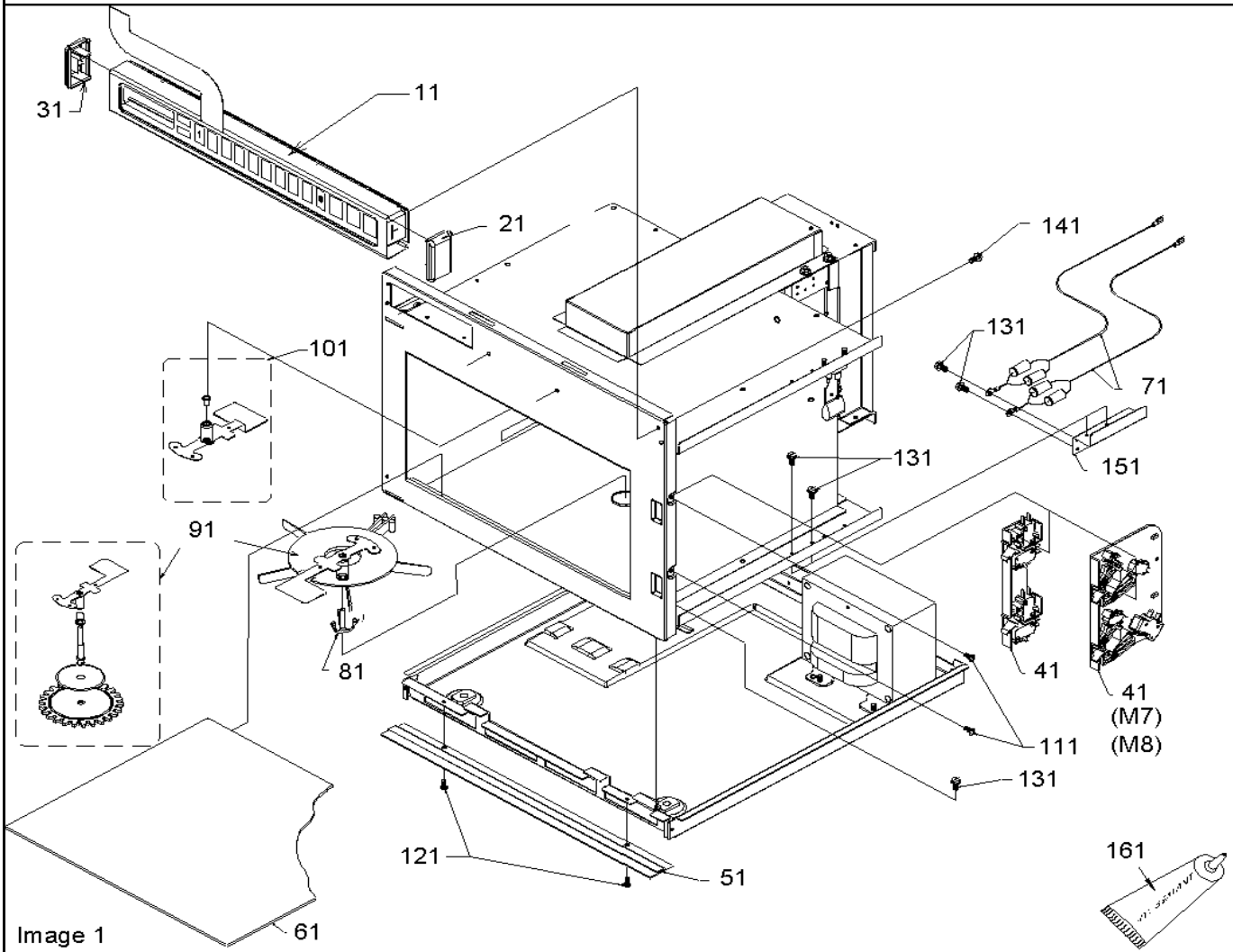
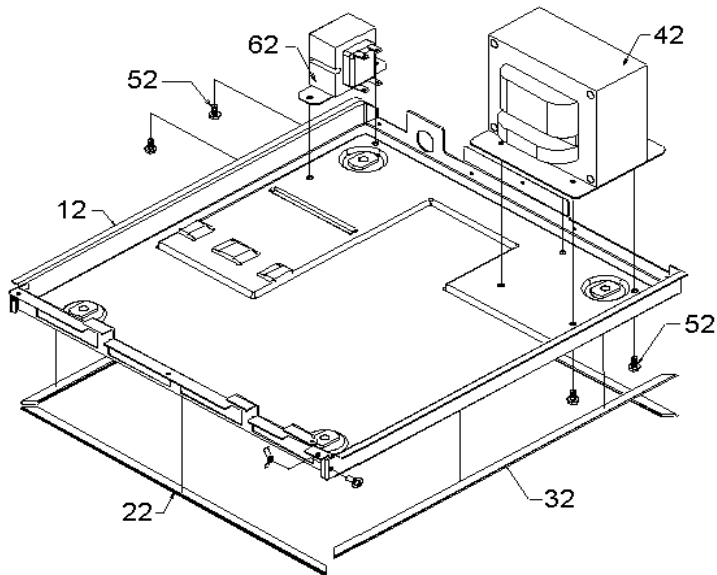


Image 1

Image 2



Section: Control/Antenna & Basepan Assembly

No.	Part No.	Description	Series Qty
11	R0150145	ASSY, TOUCH PNL	1
12	R0150146	ASSY, BASE PAN	1
21	12131001	ENDCAP-ESC (RIGHT)	1
22	10732514Q	GASKET,BASEPAN - CUT	2
31	12131002	ENDCAP-ESC (LEFT)	1
32	10732515Q	GASKET,BASEPAN - CUT	2
41	R0150154	SWITCH KIT	1
42	12136101	TRANSFORMER- HV	1
51	12131301	TRIM-OC	1
52	M0251028	SCREW, T.C.	0
61	R0150144	TRAY-CERAMIC FLOOR W/SEALER Note: INCLUDES SEALER-RTV & SCRAPER-RTV.	1
62	C8901509	TRANSFORMER-AUTO	1
71	R9800022	KIT, DIODE Note: INCLUDES BRKT-DIODE.	2
81	12132601	CRADLE-ANTENNA	1
91	R9800006	KIT, ANTENNA Note: INCLUDES CRADLE-ANTENNA & RTV SEALER.	1
101	R0150185	ASSY, ANT/RETAINER	1
111	M0237906	SCREW-HI-LO	2
121	M0210816	SCREW, SM	0
131	M0216515	SCREW	0
141	M0216703	SCREW ***	0
151	12386101	BRACKET, DIODE	1
161	M0275598	SEALER	1

12/06

*Color Code (-)=Not Shown #=Series, Serial Prefix or Run No., N=Not Available

Section: Splash Shield/Blower

Model: CRC18T2OG_P1304436M

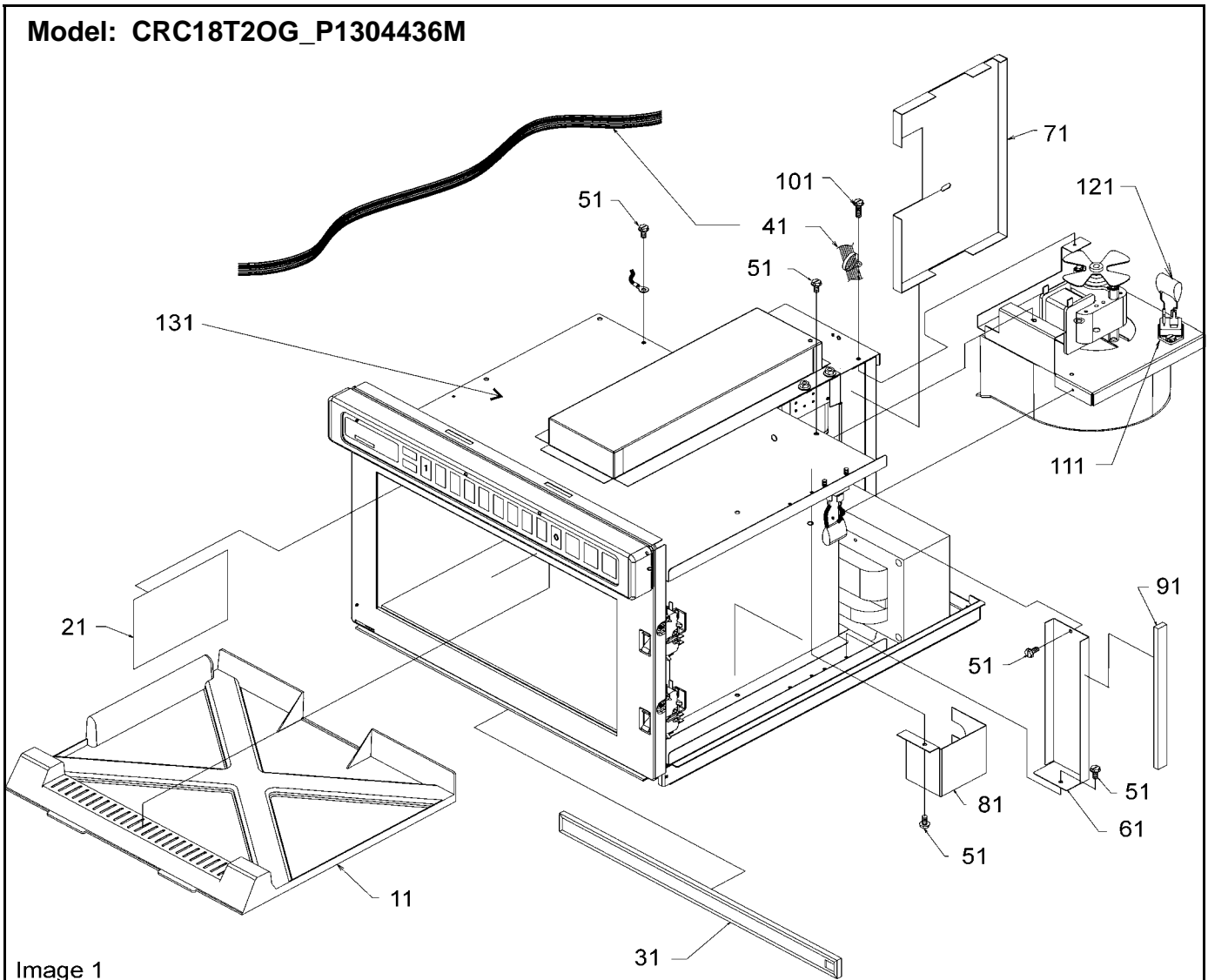
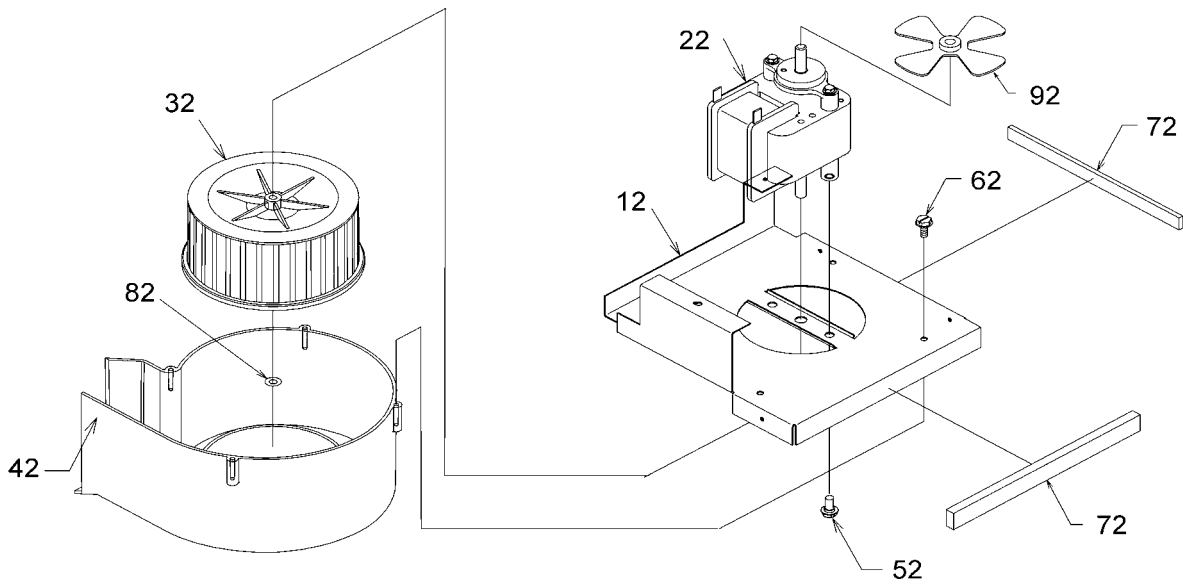


Image 1

Image 2



Section: Splash Shield/Blower

No.	Part No.	Description	Series Qty
11	12126601	SHIELD-GREASE	1
12	12271102	BRKT, BLOWER MTG	1
21	R9900114	ASSY, WINDOW KIT (LIGHT LENS) Note: INCLUDES 4 SCREWS	1
22	12138105	BLOWER MOTOR	1
31	12135803	FILTER	1
32	12138201	WHEEL-BLOWER	1
41	12465101	HARNESS, OVEN	1
42	12138302	SCROLL-BLOWER	1
51	M0216515	SCREW	0
52 N	M0253942	SCREW	0
61	12155801	DIVIDER-FLOW	1
62	M0216515	SCREW	0
71	12134101	DIVIDER-FLOW	1
72	A3030302	GASKET	0
81 N	12159901	COVER-TRIAC	1
82	M0118901	CLIP	1
91	A3030302	GASKET	0
92	B5706704	FAN BLADE	1
101	M0216517	SCREW	0
111	R0000341	KIT, TRIAC RELOC	1
121	10172901Q	SNUBBER ASSEMBLY	1

12/06

*Color Code (-)=Not Shown #=Series, Serial Prefix or Run No., N=Not Available

Section: SUPPLEMENTAL INFORMATION

No.	Part No.	Description	Series Qty
1	N RP2230003	MNL, PTS COMM'L M/W	1
1	R0193551	BIT FOR TORX 15H DRIVE SCREWS	1
1	12392733	OWNERS MANUAL (CRC21/18/12T2)	1
1	RS2230003	MNL, BASE SVC COMM MICRO	1

