



CW-2A

COOKER-WARMER-SERVER

CW-2A 55801 - 120V

CW-2A 55899 - 240V

APW Wyott

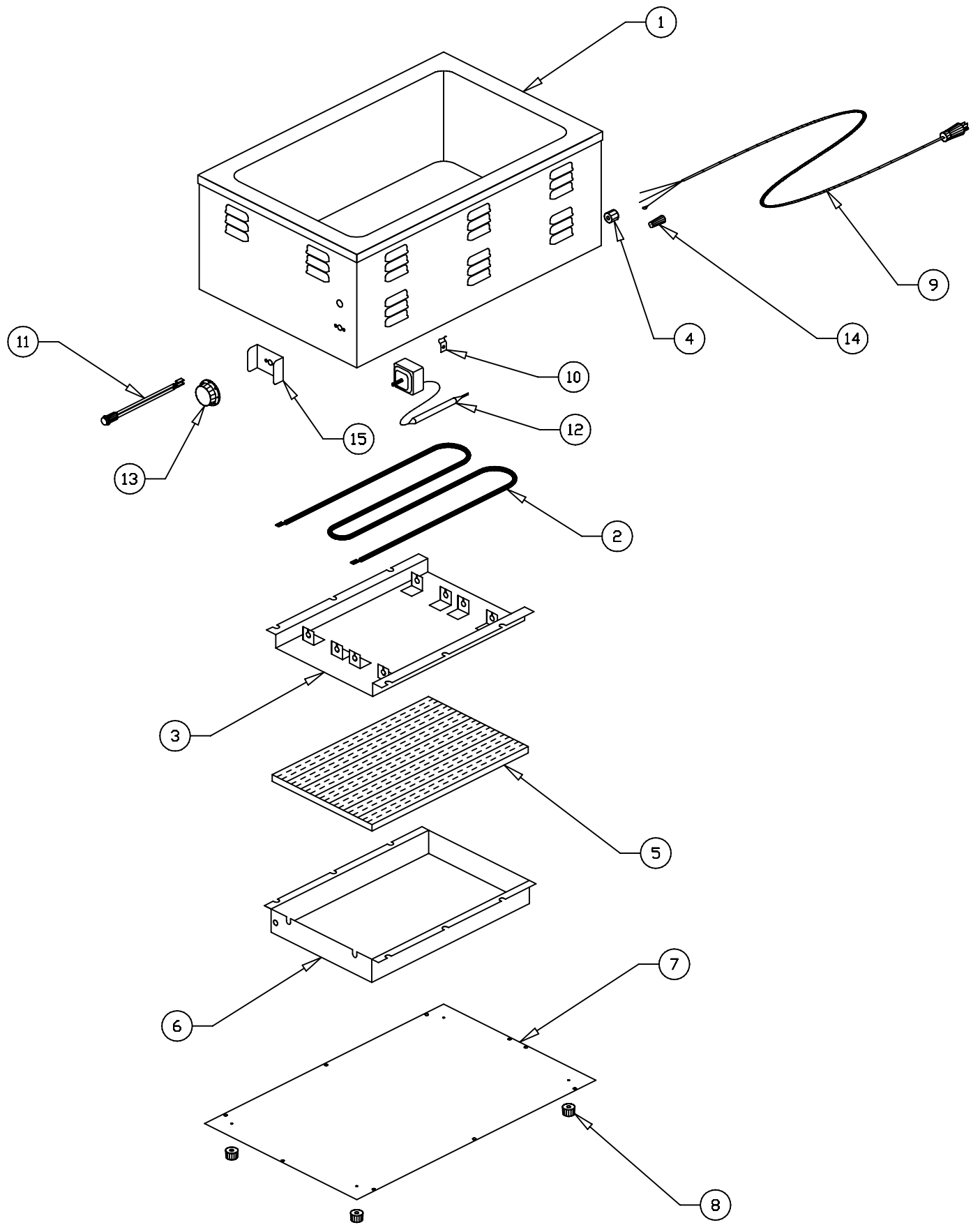
**FOOD SERVICE EQUIPMENT CO
DALLAS, TX 75226**

COOKER-WARMER-SERVER

| ITEM NO | STOCK NO | DESCRIPTION |
|---------|----------|-----------------------------|
| 1 | 55973 | PAN AND WRAPPER ASSEMBLY |
| 2 | 56322 | HEATING ELEMENT 120V-1500W |
| | 55441 | HEATING ELEMENT 240V-1600W |
| 3 | 56506 | REFLECTOR PAN |
| 4 | 89101 | STRAIN RELIEF BUSHING |
| 5 | 56547 | INSULATION |
| 6 | 55610 | ELEMENT COVER |
| 7 | 55895 | BOTTOM COVER |
| 8 | 55768 | RUBBER FOOT |
| 9 | 55947 | CORD 120V |
| | 55947 | CORD 240V (PLUG REMOVED) |
| 10 | 89120 | JEFFY CLIP |
| 11 | 56530 | INDICATOR LIGHT |
| 12 | 60320 | THERMOSTAT |
| 13 | 56528 | KNOB, TSTAT |
| 14 | 89475 | WIRE NUT |
| 15 | 54801 | KNOB GUARD |
| 16 | 56039 | THERMOSTAT BULB COVER |
| | 88961 | 10-24 GREEN HEX NUT |
| | 89061 | 10-24 HEX NUT |
| | 89025 | 10-24 SPEED NUT |
| | 89059 | #10 EXTERNAL LOCKWASHER |
| | 89073 | #8 x 1/2" SHEET METAL SCREW |
| | 89425 | FIBERGLASS SLEEVING |
| | 55719 | WIRE HARNESS |

APW Wyott

FOOD SERVICE EQUIPMENT CO
DALLAS, TX 75226



WIRING-DIAGRAM

AMERICAN PERMANENT WARE, INC.
729 THIRD AVENUE
DALLAS, TX. 75226

