



REPLACEMENT PARTS CATALOG

BM-80, BM-80D, BM-80C, BM-80CD

BOTTOM MOUNT HOT FOOD WELLS

BM-80 55480 - 208/240/277V-900/1200/1600W

BM-80 55481 - 208/240V-1200/1600W

BM-80 55485 - 120V-1200W

BM-80 55486 - 120V-750W

BM-80 56300 - 208V-1650W

BM-80D 55351 - 120V-750W

BM-80D 55354 - 120V-1200W

BM-80D 55357 - 208/240V-1200/1600W

BM-80D 55360 - 208/240/277V-900/1200/1600W

BM-80D 56299 - 208V-1650W

BM-80C 55352 - 120V-750W

BM-80C 55355 - 120V-1200W

BM-80C 55358 - 208/240V-1200/1600W

BM-80C 55361 - 208/240/277V-900/1200/1600W

BM-80C 56298 - 208V-1650W

BM-80CD 55353 - 120V-750W

BM-80CD 55356 - 120V-1200W

BM-80CD 55359 - 208/240V-1200/1600W

BM-80CD 55362 - 208/240/277V-900/1200/1600W

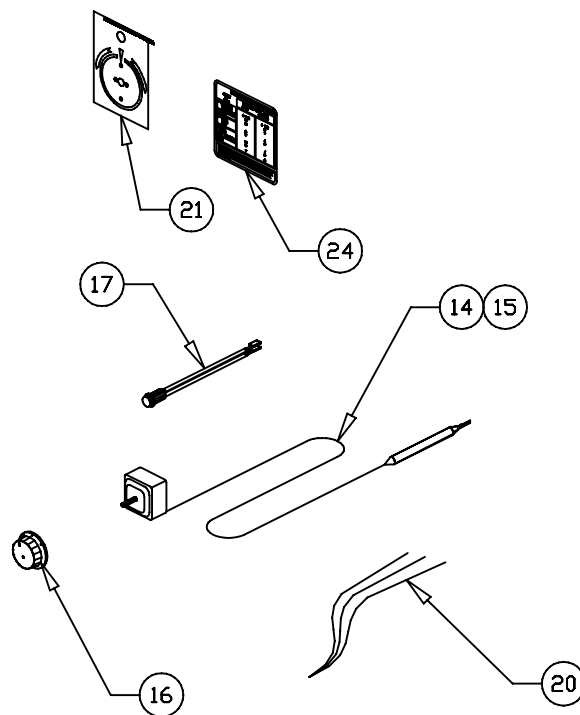
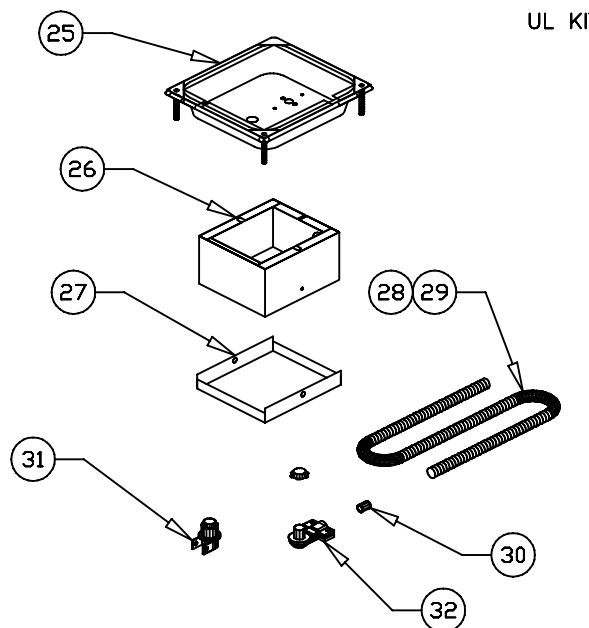
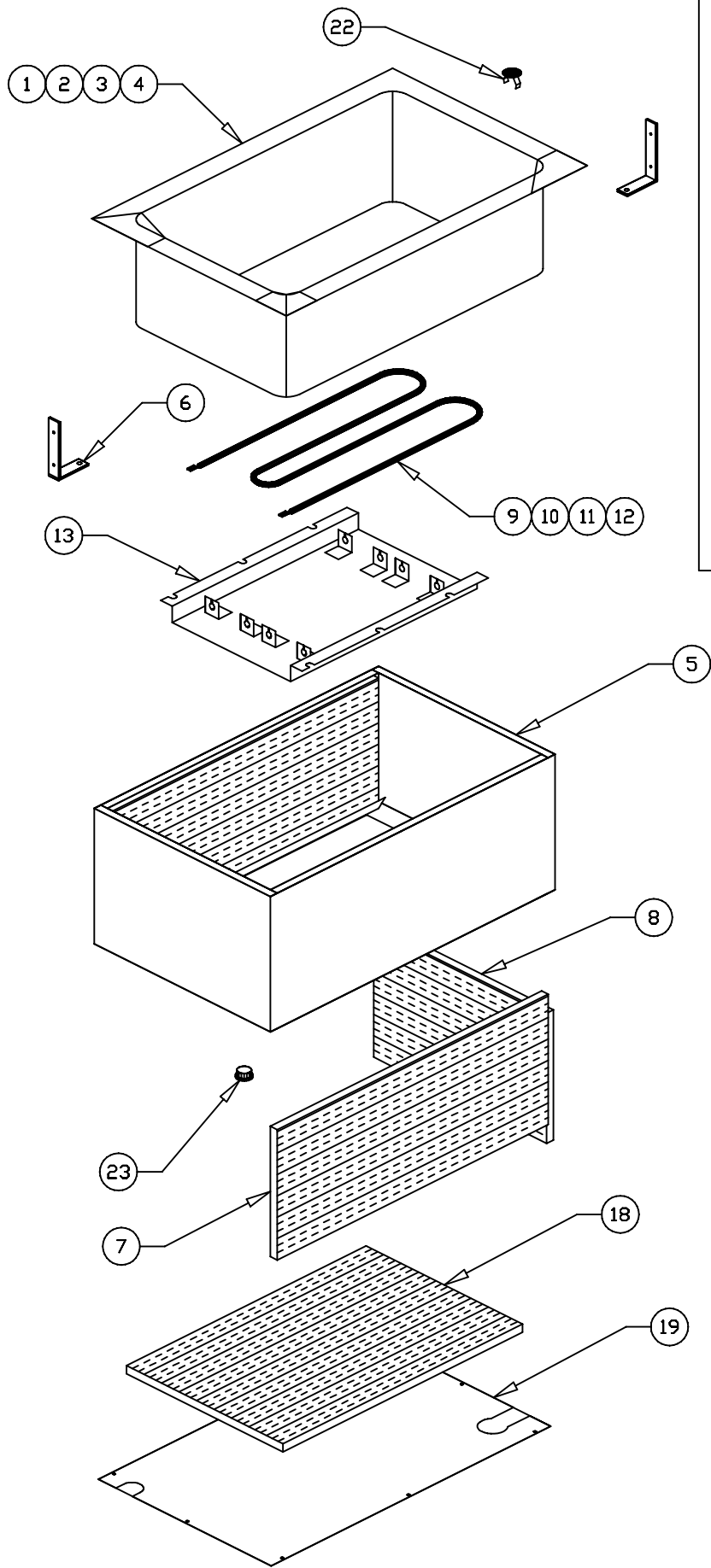
BM-80CD 56297 - 208V-1650W

**FOR 72" THERMOSTAT ADD SUFFIX -72 TO MODEL AND STOCK NUMBER
FOR UL KIT ADD SUFFIX -36UL OR -72UL TO MODEL AND STOCK NUMBER**

**APW / Wyott
FOOD SERVICE EQUIPMENT CO.
DALLAS, TX 75226**

**BM-80, BM-80D, BM-80C, BM-80CD
BOTTOM MOUNT HOT FOOD WELLS**

ITEM NUMBER	STOCK NUMBER	DESCRIPTION
1	55503	WELL PAN NO DRAIN (BM-80)
2	55534	WELL PAN W/DRAIN (BM-80D)
3	55506	WELL PAN SQUARE COR. (BM-80C)
4	55536	WELL PAN SQ. COR. W/DRAIN (BM-80CD)
5	56503	GALVANIZED OUTER HOUSING
6	56511	HOUSING MOUNTING ANGLE
7	56515	SIDE INSULATION
8	56516	END INSULATION
9	55445	ELEMENT 120V-750W
10	55446	ELEMENT 120V-1200W
11	55441	ELEMENT 208/240V-1200/1600W
12	55440	ELEMENT 208/240/277V-900/1200/1600W
12A	54051	ELEMENT 208V-1650W
13	56506	REFLECTOR PAN
14	56527	THERMOSTAT 36" CAPILLARY
15	56540	THERMOSTAT 72" CAPILLARY
16	56528	KNOB, THERMOSTAT
17	56530	INDICATOR LIGHT
18	56514	BOTTOM INSULATION
19	56211	BOTTOM INSPECTION PLATE
20	56566	WIRE SET/36" THERMOSTAT
20A	56556	WIRE SET/72" THERMOSTAT
21	56529	INCREASE/DECREASE PLATE
22	56655	DRAIN STRAINER
23	89184	HOLE BUSHING
24	56542	DIAL SETTING PLATE
25	56370	CONTROL HOUSING
26	56581	CONDUIT BOX
27	56586	CONDUIT BOX COVER
28	55341	FLEX CONDUIT/36" THERMOSTAT
29	55331	FLEX CONDUIT/72" THERMOSTAT
30	55340	ANTI-SHORT BUSHING
31	55339	CONDUIT CONNECTOR
32	55343	CONDUIT CONNECTOR 90 DEGREE
	88961	10-24 GREEN HEX NUT
	89061	10-24 HEX NUT
	89025	10-24 SPEED NUT
	89071	#10 FLAT WASHER
	89059	#10 EXTERNAL LOCKWASHER
	89073	#8 x 1/2" SHEET METAL SCREW
	89120	JIFFY CLIP



BM-80 WIRING DIAGRAM

AMERICAN PERMANENT WARE, INC.
729 THIRD AVENUE
DALLAS, TX. 75226

