



**REPLACEMENT PARTS
CATALOG**

**W4-B
COUNTERTOP WARMER**

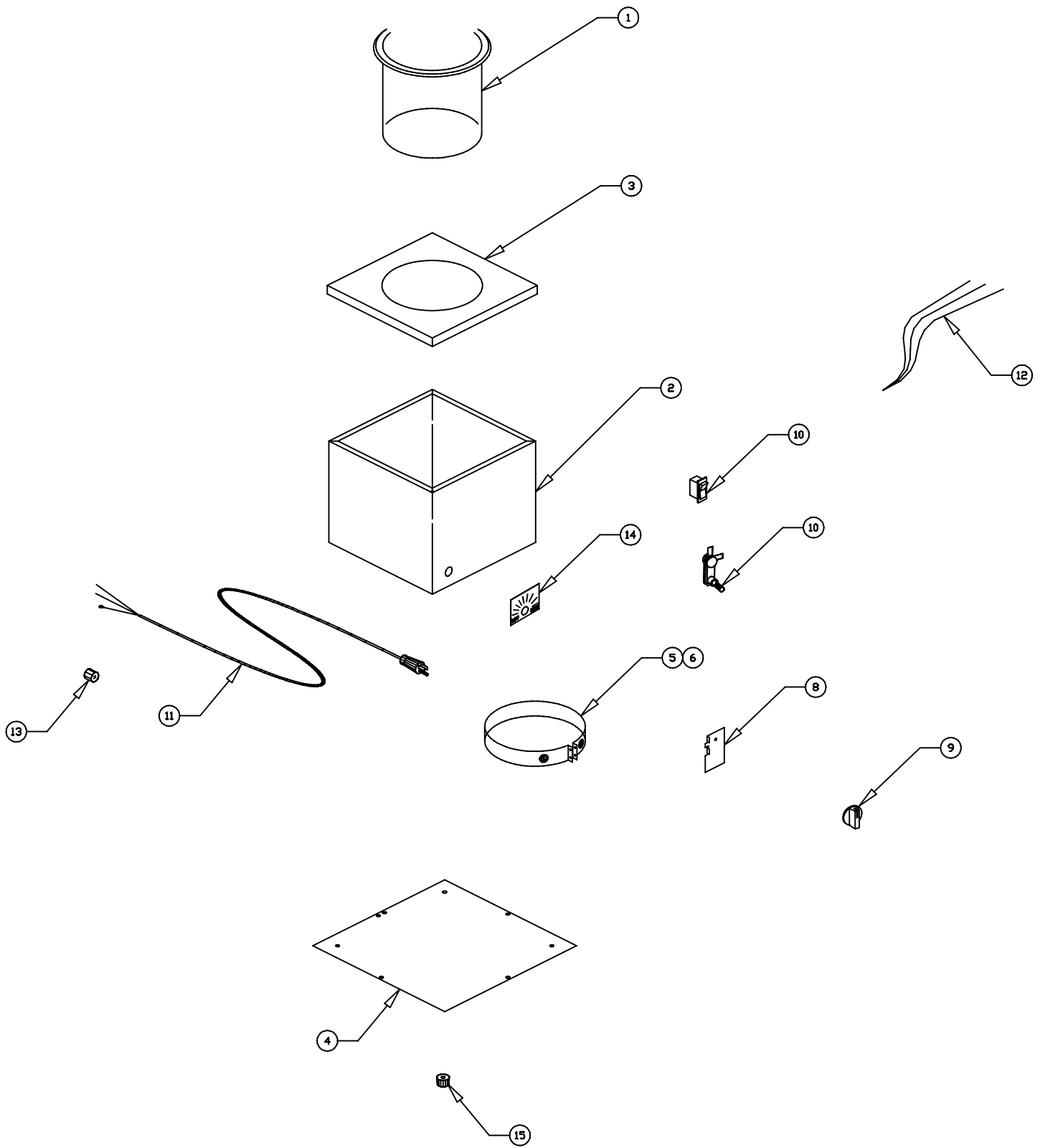
W-4B 56607 - 120V / 400W

W-4B 56608 - 240V / 400W

W-4B COUNTERTOP WARMER

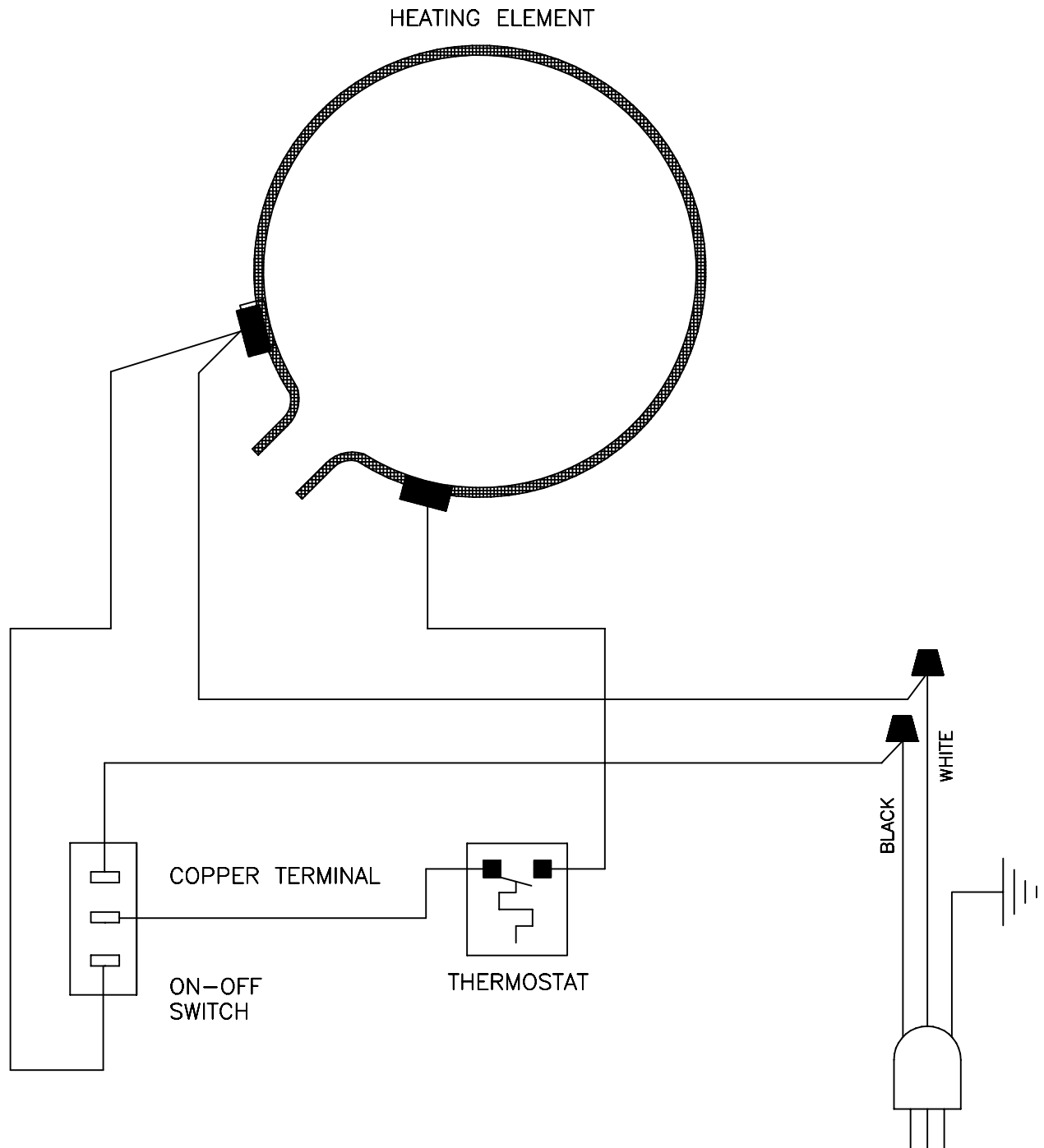
<i>ITEM</i>	<i>STOCK</i>	
<i>NO.</i>	<i>NO.</i>	<i>DESCRIPTION</i>
1	56693	WELL POT ASSEMBLY
2	56621	WRAPPER ASSEMBLY
3	56696	TOP ASSEMBLY
4	56679	BOTTOM COVER
5	56843	ELEMENT 120V 400W
6	54024	ELEMENT 240V 400W
7	PS0010	ADJUSTABLE T'STAT & KNOB KIT REPLACEMENT FOR PN 56606
	69140	ADJUSTABLE THERMOSTAT WITH KNOB MOUNTING SPRING CLIP
8	56617	MOUNTING BRACKET, THERMOSTAT
9	87068	THERMOSTAT KNOB WITH SET SCREW
	87146	T'STAT KNOB WITHOUT SET SCREW FOR USE WITH 69140 T'STAT
10	89408	SWITCH, SPST
11	55947	POWER CORD 120V
12	56604	*WIRE HARNESS
13	89101	STRAIN RELIEF BUSHING
14	56618	HI-LO DECAL
15	55768	RUBBER FOOT
	89425	FIBERGLASS SLEEVING
	75490	PORCELAIN WIRE NUT
	88961	HEX NUT, 10-24, GREEN
	89059	EXTERNAL LOCKWASHER, #10
	89073	SCREW, SHEET METAL, #8 x 1/2
	88919	SCREW, MACHINE, 8-32 x 3/4
	89063	NUT, #8-32
	89026	CAP NUT, 10-24

SPECIAL NOTE: INTERNAL WIRING: AWG 14 NCC 600V 450 DEGREE C.



W-4B WIRING DIAGRAM

AMERICAN PERMANENT WARE, INC.
729 THIRD AVENUE
DALLAS, TX. 75226



NOTE: INTERNAL WIRING IS AWG 14 NCC 600V 450 DEGREE C.