



REPLACEMENT PARTS CATALOG

W4-2

DUAL 4 QT. WARMER

W4-2 56681 - 120V/400W

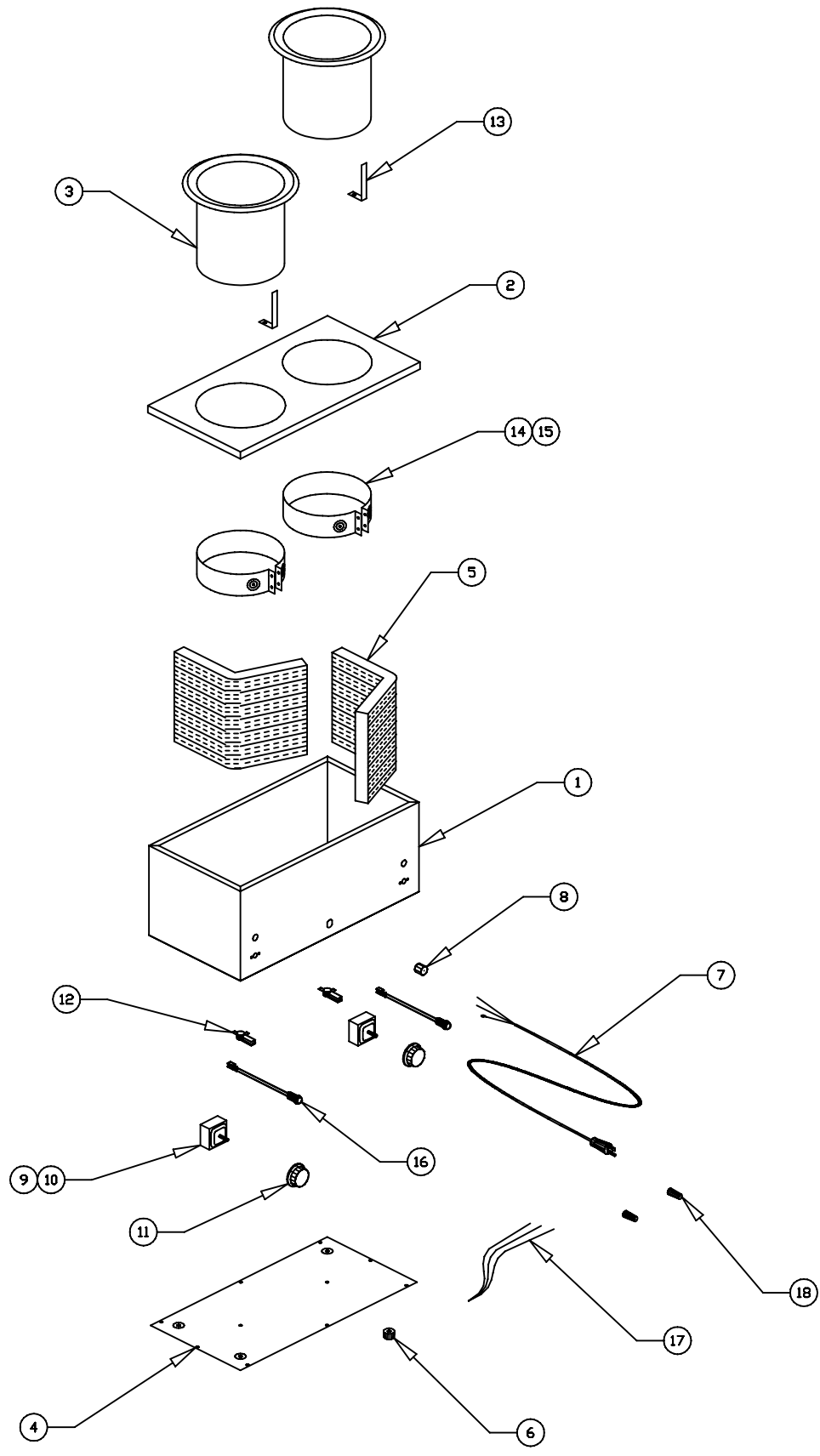
W4-2 56697 - 240V/400W

APW / Wyott
FOOD SERVICE EQUIPMENT CO.
DALLAS, TX 75226

W4-2 WARMER

Part No. 67129 – Rev. 3/2000

ITEM NUMBER	STOCK NUMBER	DESCRIPTION
1	56688	WRAPPER ASSEMBLY
2	56689	TOP ASSEMBLY
3	56693	WELL POT ASSEMBLY
4	56687	BOTTOM COVER
5	56816	INSULATION
6	55768	RUBBER FOOT
7	55947	POWER CORD
8	89101	STRAIN RELIEF BUSHING
9	55564	INFINITE CONTROL
10	87053	INFINITE CONTROL, 240V
11	55817	KNOB, INFINITE CONTROL
12	69107	HIGH LIMIT THERMOSTAT
13	56818	HEAT SINK
14	56843	HEATING ELEMENT 120V-400W
15	54024	HEATING ELEMENT 240V-400W
16	56530	INDICATOR LIGHT
17	56694	WIRE HARNESS
18	89475	SET SCREW WIRE NUT
	88961	10-24 GREEN HEX NUT
	89054	6-32 KEPS NUT
	89061	10-24 HEX NUT
	89073	#8 x 1/2 HEX SHEET METAL SCREW
	89087	8-32 x 3/16 BINDING MACHINE SCREW
	89120	JIFFY CLIP



W4-2 WIRING DIAGRAM

AMERICAN PERMANENT WARE, INC.
729 THIRD AVENUE
DALLAS, TX. 75226

HEATING ELEMENT

HEATING ELEMENT

