



**REPLACEMENT PARTS CATALOG**

**PW-1C**

**BUFFET WARMER**

**PW-1C 76625 - 120V**  
**PW-1C 76640 - 240V**

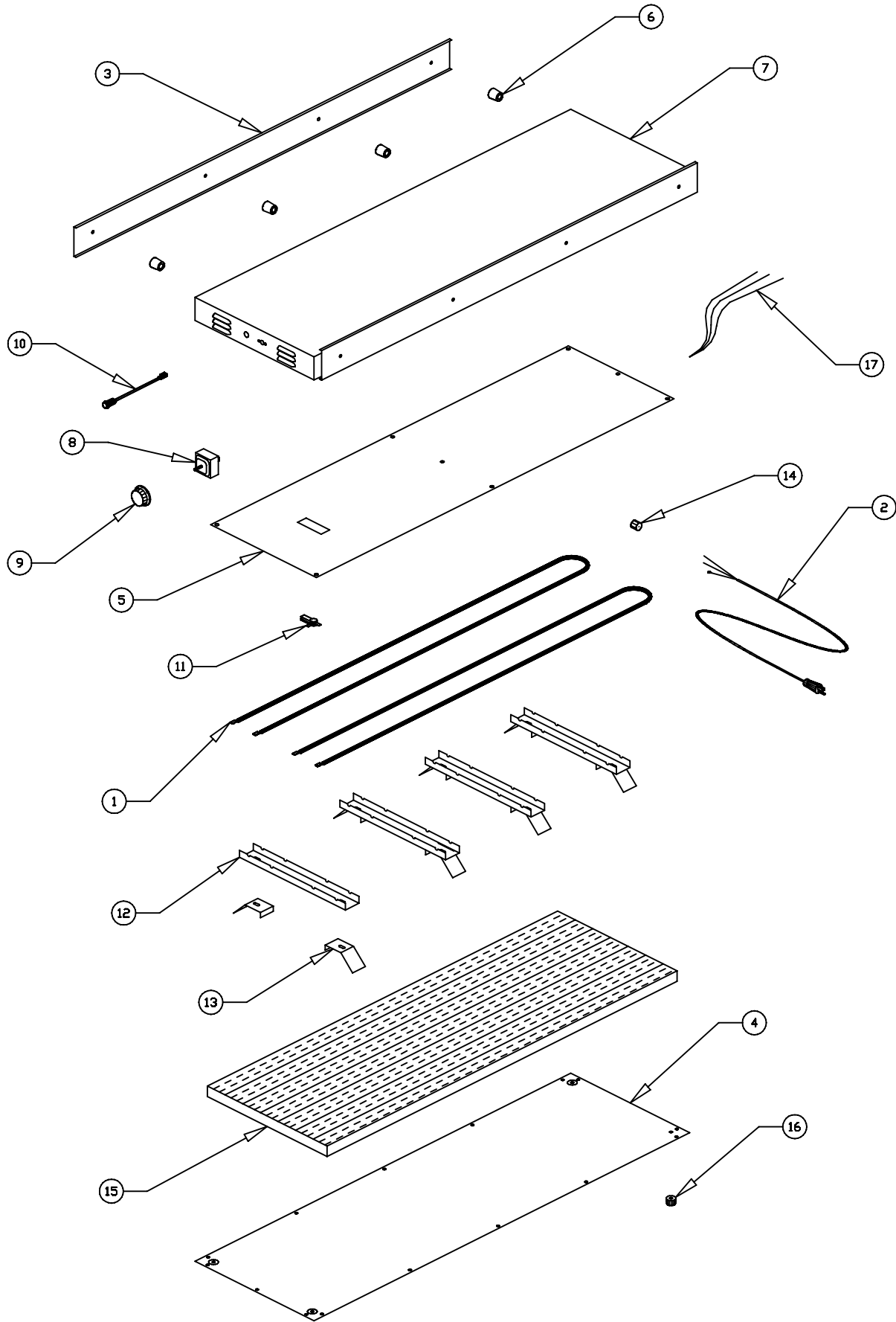
**APW / Wyott**  
FOOD SERVICE EQUIPMENT CO.  
DALLAS, TX 75226

Part No. 67139 - Rev 3/2000

**PW-1C**

## BUFFET WARMER

ITEM NUMBER	STOCK NUMBER	DESCRIPTION
1	85636	HEATING ELEMENT
2	55947	CORD
3	75604	GUARD RAIL
4	75603	BOTTOM COVER
5	76628	ALUMINUM TRANSFER PLATE
6	55820	SPACER
7	76626	WRAPPER ASSEMBLY
8	55564	INFINITE CONTROL
9	55817	KNOB
10	56530	INDICATOR LIGHT
11	69107	LIMIT THERMOSTAT
12	75619	ELEMENT BRACKET
13	75621	ELEMENT CLIP
14	89151	RIGHT ANGLE STRAIN RELIEF BUSHING
15	75609	INSULATION
16	55768	RUBBER FOOT
17	76629	WIRE SET (50005-BLACK WIRE)
	89160	#10-24 x 1-1/4" RD. HD. SCREW
	89065	#10-24 JAM NUT
	89071	#10 FLAT WASHER
	89059	#10 EXTERNAL LOCKWASHER
	89061	#10-24 HEX NUT
	89087	#8-32 x 3/16" BINDING MACHINE SCREW
	89054	#6-32 KEPS NUT
	88961	#10-24 GREEN HEX NUT
	89073	#8 x 1/2" HEX SHEET METAL SCREW



# PW-1C WIRING DIAGRAM

*AMERICAN PERMANENT WARE, INC.  
729 THIRD AVENUE  
DALLAS, TX. 75226*

HEATING ELEMENT

