



REPLACEMENT PARTS CATALOG

AT-30

CONVEYOR TOASTERS

AT-30 P/N 83910 - 208V, 60HZ

AT-30 P/N 83912 - 208V/240V, 60HZ

AT-30 P/N 83914 - 240V, 50HZ

AT-30BT P/N 83915 - 240V, 60HZ

3 INCH OPENING

AT-30 P/N 83981 - 120V, 60HZ TOP HEAT

AT-30 P/N 83935 - 208V, 60HZ

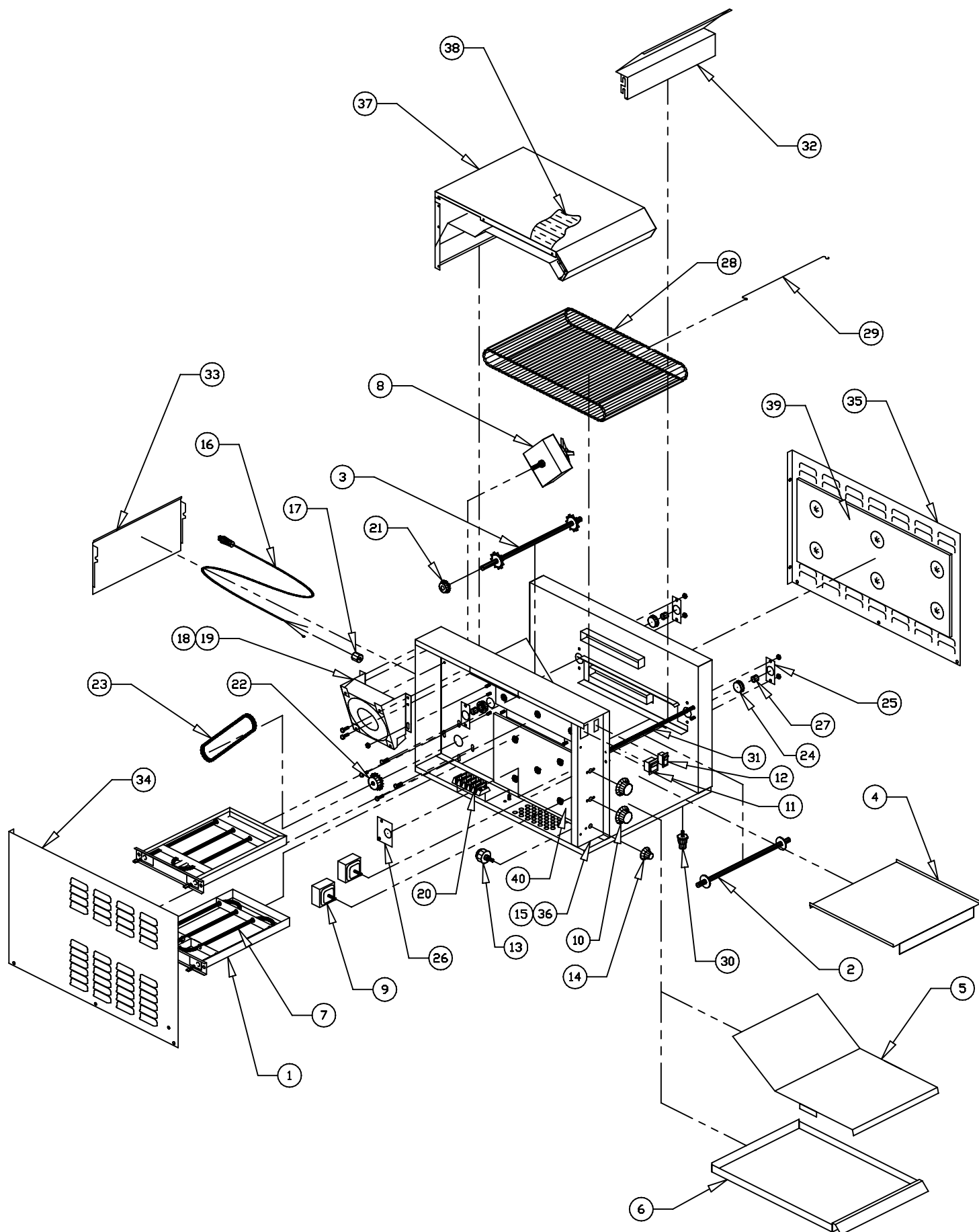
AT-30 P/N 83934 - 240V, 60HZ

AT-30 P/N 83918 - 208V, 60HZ

AT-30 P/N 83980 - 240V, 60HZ

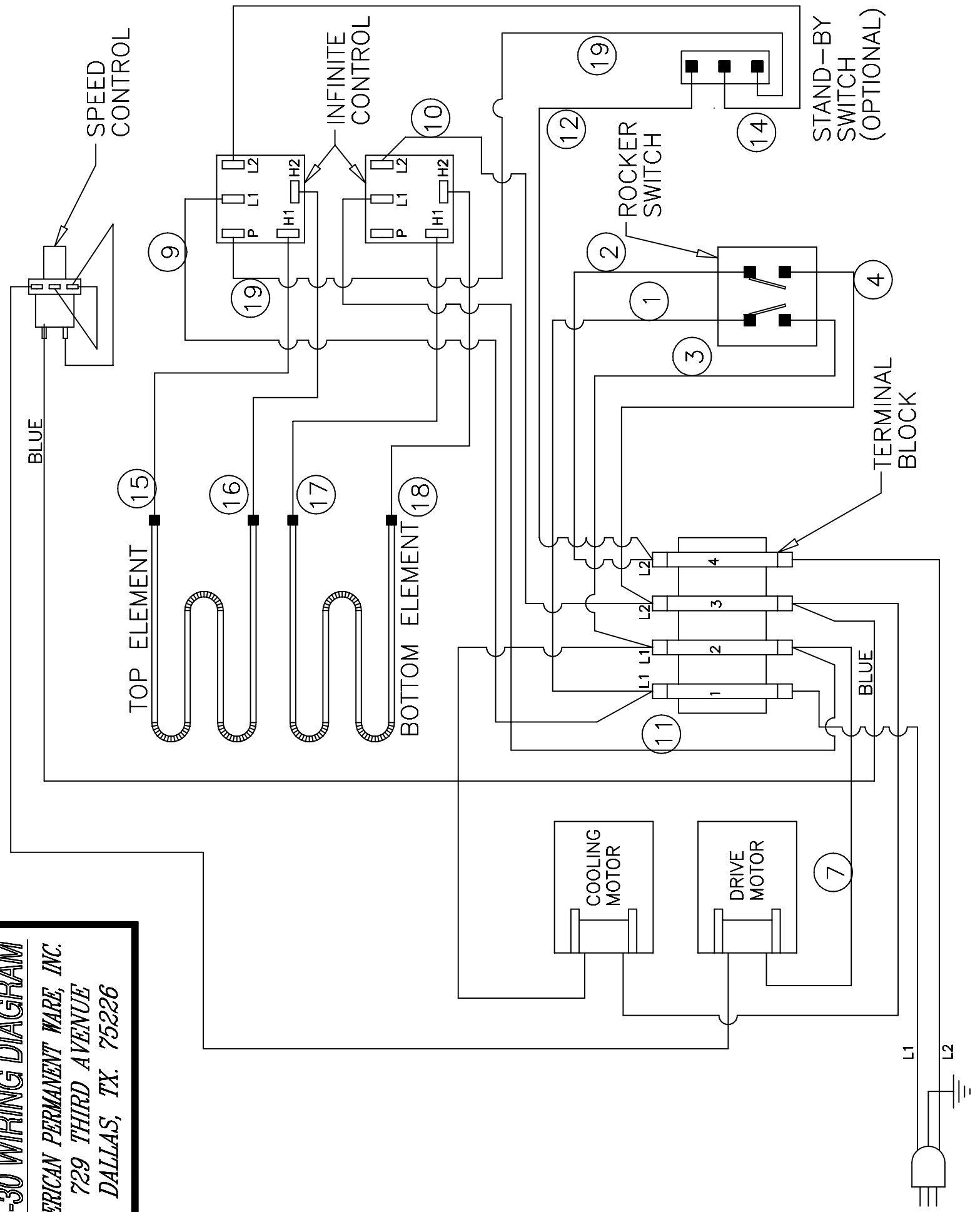
APW / Wyott

FOOD SERVICE EQUIPMENT CO
DALLAS, TX 75226



AT-30 WIRING DIAGRAM

AMERICAN PERMANENT WARE, INC.
729 THIRD AVENUE
DALLAS, TX. 75226



BLUE

TERMINAL BLOCK

STAND-BY SWITCH (OPTIONAL)

ROCKER SWITCH

INFINITE CONTROL

SPEED CONTROL

TOP ELEMENT

BOTTOM ELEMENT

COOLING MOTOR

DRIVE MOTOR

9

15

16

17

18

10

12

2

1

3

4

19

14

11

7

L1

L2

