



REPLACEMENT PARTS CATALOG

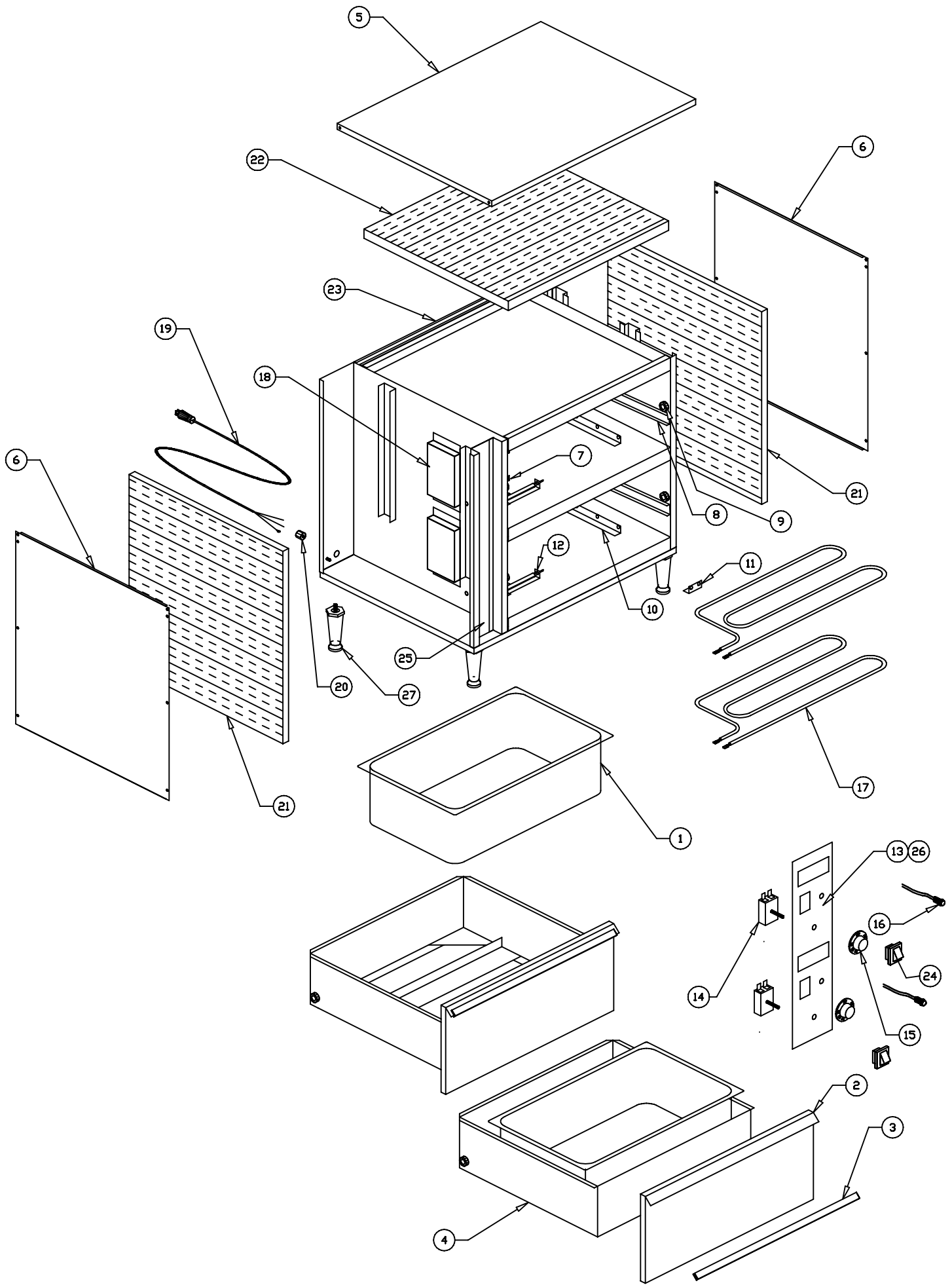
**WD series CMF
OVERSIZED CONVECTION
WARMING DRAWER**

**WD-1CMF, 120V or 208V or 240V, 500W
WD-2CMF, 120V or 208V or 240V, 1000W
WD-3CMF, 120V or 208V or 240V, 1500W**

CHIP M'NSTER™ WITH HIDDEN THERMOSTAT AND NO DRAWER VENT

WD-2CMF-DHC, 120V, 1000W

**APW/Wyott
FOOD SERVICE EQUIPMENT CO.
DALLAS, TX. 75226**



WD series CMF OVERSIZED CONVECTION WARMER DRAWER

