



REPLACEMENT PARTS CATALOG

WD-1, WD-2, WD-3
COUNTERTOP WARMING DRAWER

WD-1, 120V or 208V or 240V, 450W

WD-2, 120V or 208V or 240V, 900W

WD-3, 120V or 208V or 240V, 1350W

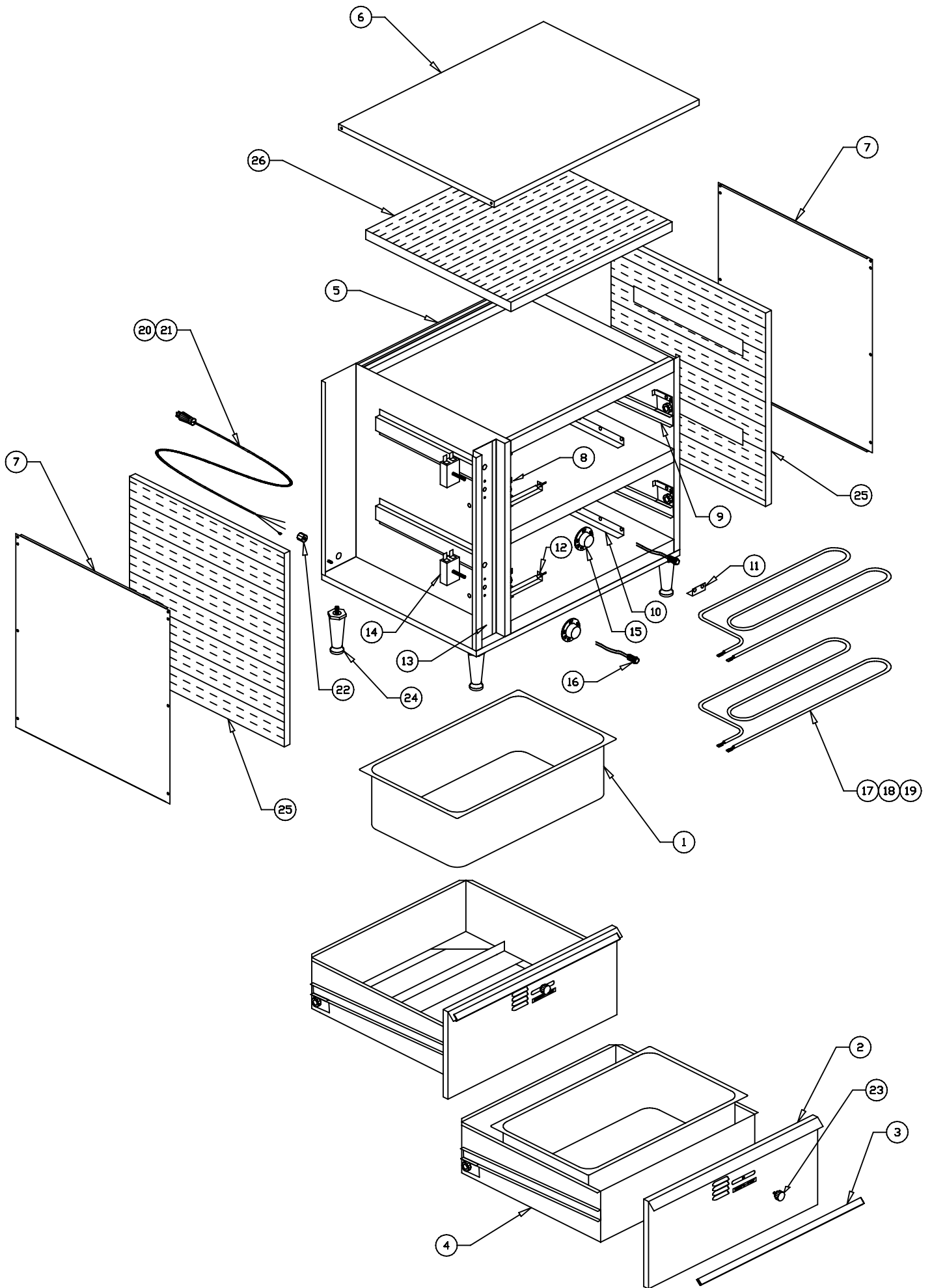
APW / Wyott
FOOD SERVICE EQUIPMENT CO.
DALLAS, TX. 75226

WD SERIES COUNTERTOP WARMING DRAWERS

ITEM NUMBER	PART NUMBER	DESCRIPTION
1	33018	DRAWER PAN (ALL)
2	33170	DRAWER FRONT (ALL)
3	33155	DRAWER FRONT HANDLE STRIP (ALL)
4	33113	DRAWER HOUSING (ALL)
5	33192	FULL FRAME ASS'Y (WD-1)
	33181	FULL FRAME ASS'Y (WD-2)
	33229	FULL FRAME ASS'Y (WD-3)
6	33097	TOP COVER (ALL)
7	33100	SIDE COVER (WD-1)
	33176	SIDE COVER (WD-2)
	33227	SIDE COVER (WD-3)
8	33110	LH CABINET DRAWER SLIDE
9	33111	RH CABINET DRAWER SLIDE
10	33156	RIGHT SIDE ELEMENT BRACKET
11	33157	LEFT SIDE ELEMENT BRACKET
12	33158	CAP BULB BRACKET
13	58057	DIAL CONTROL PLATE (WD-1)
	58058	DIAL CONTROL PLATE (WD-2)
	58059	DIAL CONTROL PLATE (WD-3)
14	69120	THERMOSTAT
15	56577	KNOB, T-STAT
16	56530	INDICATOR LIGHT
17	54018	HEATING ELEMENT 120V-450W
18	54060	HEATING ELEMENT 208V-450W
19	54019	HEATING ELEMENT 240V-450W
20	85638	POWER CORD 120V
21	85640	POWER CORD 208-240V
22	89111	STRAIN RELIEF BUSHING
23	89167	KNOB, VENT
24	87320	4" LEG (EACH)
	87327	6" LEG (EACH)
	33265	NON-SWIVEL CASTER
	33266	SWIVEL CASTER
25	56443	INSULATION-SIDES
26	60113	INSULATION-TOP

HARDWARE NOT SHOWN

89061	10-24 HEX NUT
88961	10-24 GREEN HEX NUT
89059	#10 LOCKWASHER
89071	#10 FLAT WASHER
88993	10-32 x 3/8" LOCKTITE SCREW
88909	8-18 x 3/8" SLOTTED SCREW



WD-2 WARMING DRAWER

HD & WD'S WIRING DIAGRAM

AMERICAN PERMANENT WARE, INC.

729 THIRD AVENUE

DALLAS, TX. 75226

