



**INSTALLATION
AND
OPERATING
INSTRUCTIONS**

**Models: DMXS-H
DMXS-S
DMXD-H
DMXD-S**



RACER MERCHANDISERS

INTENDED FOR OTHER THAN HOUSEHOLD USE

**RETAIN THIS MANUAL FOR FUTURE REFERENCE
UNIT MUST BE KEPT CLEAR OF COMBUSTIBLES AT ALL TIMES**



FOR YOUR SAFETY: Do not store or use gasoline or other flammable vapors and liquids in the vicinity of this or any other appliance.



WARNING: Improper installation, adjustment, alteration, service or maintenance can cause property damage, injury or death. Read the Installation, Operating and Maintenance Instructions thoroughly before installing or servicing this equipment.



Initial heating of appliance may generate smoke or fumes and must be done in a well ventilated area. Overexposure to smoke or fumes may cause nausea or dizziness.

This equipment has been engineered to provide you with year-round dependable service when used according to the instructions in this manual and standard commercial kitchen practices.



ANSI/NSF4

Phone: (307) 634-5801
Fax: (307) 637-8071
Toll Free: (800) 752-0863
Website: www.apwwyott.com
E-mail: info@apwwyott.com

P/N 8817100 1/06

APW WYOTT
1938 Wyott Drive
Cheyenne, WY 82007

APW Wyott takes pride in the design and quality of our products. When used as intended and with proper care and maintenance, you will experience years of reliable operation from this equipment. To ensure best results, it is important that you read and follow the instructions in this manual carefully. Installation and start-up should be performed by a qualified installer who thoroughly read, understands and follows these instruction.

If you have questions concerning the installation, operation, maintenance or service of this product, contact APW Wyott Foodservice Equipment Company's "Technical Service Department".

SAFETY PRECAUTIONS

Before installing and operating this equipment be sure everyone involved in its operation are fully trained and are aware of all precautions. Accidents and problems can result by a failure to follow fundamental rules and precautions.

The following words and symbols, found in this manual, alert you to hazards to the operator, service personnel or the equipment. The words are defined as follows:









	DANGER: This symbol warns of imminent hazard which will result in serious injury or death.	
	WARNING: This symbol refers to a potential hazard or unsafe practice, which could result in serious injury or death.	
	CAUTION: This symbol refers to a potential hazard or unsafe practice, which may result in minor or moderate injury or product or property damage.	
	NOTICE: This symbol refers to information that needs special attention or must be fully understood even though not dangerous.	
IMPORTANT FOR FUTURE REFERENCE: Please complete this information and retain this manual for the life of the equipment. For Warranty Service and/or Parts, this information is required.		
Model Number: _____ Serial Number: _____ Date Purchased: _____		

TABLE OF CONTENTS

SECTION	ITEM	PAGE
1	Important Safety Instructions	3
2	Installation	4
	All Models	4
	Location	4
3	Operation	4
	Unit Dimensions	5
	Plug/Cordset Configuration	5
4	Electrical Specifications & Diagrams	6
	Wiring Diagram 120V Units, DMXS-30 thru 42	7
	Wiring Diagram 120V Units, DMXS-48 thru 60	7
	Wiring Diagram 120V Units, DMXD-30 thru 42	8
	Wiring Diagram 120V Units, DMXD-48 thru 60	9
	Wiring Diagram 240V Units, 50Hz	10
5	Maintenance	11
	General	11
	Cleaning	11
	Display Light Replacement	11
6	Accessories	11
	Stainless Steel Dividers	11
7	Parts Lists w/Exploded Views	12
	DMXS-H	12
	DMXS-S	14
	DMXD-H	16
	DMXD-S	18
8	Warranty	20

1. IMPORTANT SAFETY INSTRUCTIONS



IMPORTANT: Read the following important safety instructions to avoid personal injury or death, and to avoid damage to the equipment or property.



WARNING: Plug unit into a properly grounded electrical outlet of the correct voltage, size and plug configuration. If the plug and receptacle do not match, contact a qualified electrician to determine the proper voltage and size and install the proper electrical outlet.



WARNING: Unit is not waterproof. DO NOT submerge in water. Do not operate if it has been submerged in water.



WARNING: To avoid any injury, turn the power switch off at the fuse disconnect switch/circuit breaker or unplug the unit from the power source and allow to cool completely before performing any maintenance or cleaning.



WARNING: To avoid electrical shock, always unplug the unit before performing cleaning or maintenance.



WARNING: Do not place food product directly onto hardcoat surface. Food product must be wrapped, boxed or on a food pan.



WARNING: To avoid electrical shock or personal injury, do not steam clean or use excessive water on the unit.



WARNING: Only light bulbs which meet or exceed N.S.F. Standards, specifically designed for food holding areas must be used. Breakage of light bulbs not specially coated could result in personal injury and/or food contamination.



WARNING: If service is required on this unit, contact your authorized APW Wyott Service Agent, or contact the APW Wyott Service Department directly at (214) 421-7366 or (800) 527-2100; fax (214) 565-0976.



WARNING: This product has no "user" serviceable parts. To avoid damage to the unit or injury to personnel, use only Authorized APW Wyott Service Agents and genuine APW Wyott Parts when service is required..



WARNING: Genuine APW Wyott Replacement Parts are specified to operate safely in the environments in which they are used. Some aftermarket or generic replacement parts do not have the characteristics that will allow them to operate safely in APW Wyott equipment. It is essential to use APW Wyott Replacement Parts when repairing APW Wyott equipment. Failure to use APW Wyott Replacement Parts may subject operators of the equipment to hazardous electrical voltage, resulting in electrical shock or burn.



CAUTION: Some exterior surfaces on the unit will get hot. Use caution when touching these areas to avoid injury.



CAUTION: Locate the unit at the proper counter height, in an area that is convenient for use. The location should be level to prevent the unit or it's contents from accidentally falling, and strong enough to support the weight of the unit and food.



CAUTION: The National Sanitation Foundation (NSF) requires that units over 36" (91 cm) in length or weighing more than 80 lbs. (36 kg) to be either sealed or raised on the installation surface. If this unit cannot be sealed at the point of use, 4" (10 cm) legs are included to allow for proper cleaning access below unit.



CAUTION: Use only non-abrasive cleaners. Abrasive cleaners could scratch the finish of your unit, marring it's appearance and making it susceptible to dirt accumulation.



CAUTION: Only soft cleaning cloths should be used to clean breath protector(s). Breath protector(s) are made of shatterproof polycarbonate and will scratch if proper care is not taken.



2. INSTALLATION

ALL MODELS

All APW/Wyott Racer Merchandisers are shipped with most components pre-assembled. Care should be taken when unpacking shipping carton to avoid damage to unit and components enclosed.

1. Remove unit from box.
2. Remove information packet.
3. Remove tape and protective packaging from all surfaces of unit.
4. The unit is supplied with product divider bars. To install them, simply place the bars in the channels provided. The bars can be readily adjusted to separate your holding areas as needed.

LOCATION

NOTE: The unit must be transported in the upright position.

For proper operation and maximum performance, locate the Racer Merchandiser in an area where the ambient air temperature is constant and is a minimum of 70°F (21°C). Areas which are susceptible to active air movements or currents should be avoided, i.e. near exhaust fans or hoods and air conditioning ducts.

The data plate for the unit is located on the bottom of the unit near the power cord. Check the voltage requirements on the data plate. Connect the unit only the the voltage configuration specified on the data plate.



CAUTION: Locate the unit at the proper counter height, in an area that is convenient for use. The location should be level to prevent the unit or it's contents from accidentally falling, and strong enough to support the weight of the unit and food.



CAUTION: The National Sanitation Foundation (NSF) requires that units over 36" (91 cm) in length or weighing more than 80 lbs. (36 kg) to be either sealed or raised on the installation surface. If this unit cannot be sealed at the point of use, 4" (10 cm) legs are included to allow for proper cleaning access below unit.



3. OPERATION

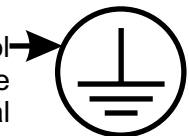
The Racer Merchandiser's power is controlled by the ON/OFF toggle switch. For units with two shelves there are two toggle switches, one for each shelf. You can power the shelves independently. The switch must be on the ON position for the unit to function.

The thermostatically controlled base and rear overhead element can be set to any desired heating level as indicated on the control plate.

NOTE: Main power switch must be in the ON position for the heated base to function.

CE Provision for Earthing

Provision for Earthing is located at the rear of the unit. It is designated by this symbol and provides means of earthing terminals to be properly secured to the frame of the unit. Earthing terminals shall not be connected to the neutral terminal. External bonding conductors connected to earthing terminals shall be 2.5 mm² to 6 mm² in diameter.



CAUTION: Some exterior surfaces on the unit will get hot. Use caution when touching these areas to avoid injury.



WARNING: Do not place food product directly onto hardcoat surface. Food product must be wrapped, boxed or on a food pan.



DMX UNIT DIMENSIONS

DMX RACER MERCHANDISERS

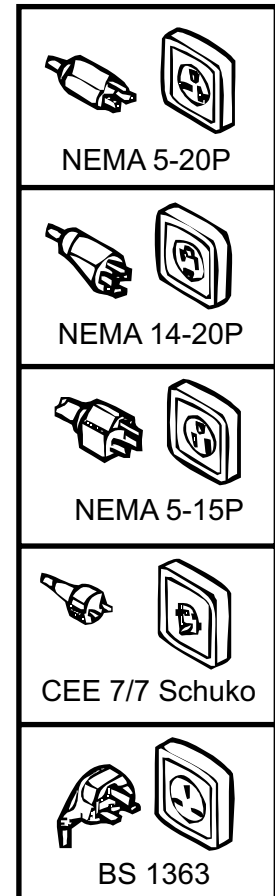
MODEL #	WIDTH	HEIGHT	DEPTH	MODEL #	WIDTH	HEIGHT	DEPTH
DMXS-30H	30"	18"	27.25"	DMXS-30S	30"	22.125"	27.25"
DMXS-36H	36"	18"	27.25"	DMXS-36S	36"	22.125"	27.25"
DMXS-42H	42"	18"	27.25"	DMXS-42S	42"	22.125"	27.25"
DMXS-48H	48"	18"	27.25"	DMXS-48S	48"	22.125"	27.25"
DMXS-54H	54"	18"	27.25"	DMXS-54S	54"	22.125"	27.25"
DMXS-60H	60"	18"	27.25"	DMXS-60S	60"	22.125"	27.25"
DMXD-30H	30"	29"	27.25"	DMXD-30S	30"	33.312"	27.25"
DMXD-36H	36"	29"	27.25"	DMXD-36S	36"	33.312"	27.25"
DMXD-42H	42"	29"	27.25"	DMXD-42S	42"	33.312"	27.25"
DMXD-48H	48"	29"	27.25"	DMXD-48S	48"	33.312"	27.25"
DMXD-54H	54"	29"	27.25"	DMXD-54S	54"	33.312"	27.25"
DMXD-60H	60"	29"	27.25"	DMXD-60S	60"	33.312"	27.25"

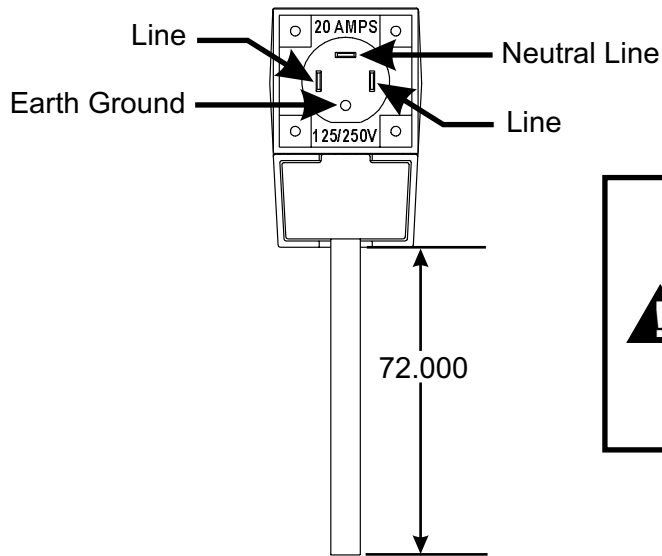
The Model Numbers And What They Mean:

DMX is just the model name. The "S" or the "D" after the DMX stands for Single shelf or Double shelf. The number after the first part of the model number is the complete width of the countertop area. The (H) after the number stands for Horizontal units. The (S) after the number stands for Slanted units.

PLUG/CORDSET CONFIGURATION

Model	Voltage	USA	Canada	Export Model			
		USL	CNL	Voltage		Voltage	
DMXS-30S	120	5-15	5-15	220	CEE7/7 SCHUKO	240	BS-1363
DMXS-30H	120	5-15	5-15	220	CEE7/7 SCHUKO	240	BS-1363
DMXD-30S	120	5-15	5-15	220	CEE7/7 SCHUKO	240	BS-1363
DMXD-30H	120	5-15	5-15	220	CEE7/7 SCHUKO	240	BS-1363
DMXS-36S	120	5-15	5-15	220	CEE7/7 SCHUKO	240	BS-1363
DMXS-36H	120	5-15	5-15	220	CEE7/7 SCHUKO	240	BS-1363
DMXD-36S	120	5-15	5-20	220	CEE7/7 SCHUKO	240	BS-1363
DMXD-36H	120	5-15	5-20	220	CEE7/7 SCHUKO	240	BS-1363
DMXS-42S	120	5-15	5-15	220	CEE7/7 SCHUKO	240	BS-1363
DMXS-42H	120	5-15	5-15	220	CEE7/7 SCHUKO	240	BS-1363
DMXD-42S	120	5-20	5-30	220	CEE7/7 SCHUKO	240	BS-1363
DMXD-42H	120	5-20	5-30	220	CEE7/7 SCHUKO	240	BS-1363
DMXS-48S	120	5-15	5-15	220	CEE7/7 SCHUKO	240	BS-1363
DMXS-48H	120	5-15	5-15	220	CEE7/7 SCHUKO	240	BS-1363
DMXD-48S	120/208	14-20	14-20	220	CEE7/7 SCHUKO	240	BS-1363
DMXD-48H	120/208	14-20	14-20	220	CEE7/7 SCHUKO	240	BS-1363
DMXS-54S	120	5-15	5-15	220	CEE7/7 SCHUKO	240	BS-1363
DMXS-54H	120	5-15	5-15	220	CEE7/7 SCHUKO	240	BS-1363
DMXD-54S	120/208	14-20	14-20	220	CEE7/7 SCHUKO	240	BS-1363
DMXD-54H	120/208	14-20	14-20	220	CEE7/7 SCHUKO	240	BS-1363
DMXS-60S	120	5-15	5-20	220	CEE7/7 SCHUKO	240	BS-1363
DMXS-60H	120	5-15	5-20	220	CEE7/7 SCHUKO	240	BS-1363
DMXD-60S	120/208	14-20	14-20	220	CEE7/7 SCHUKO	240	BS-1363
DMXD-60H	120/208	14-20	14-20	220	CEE7/7 SCHUKO	240	BS-1363





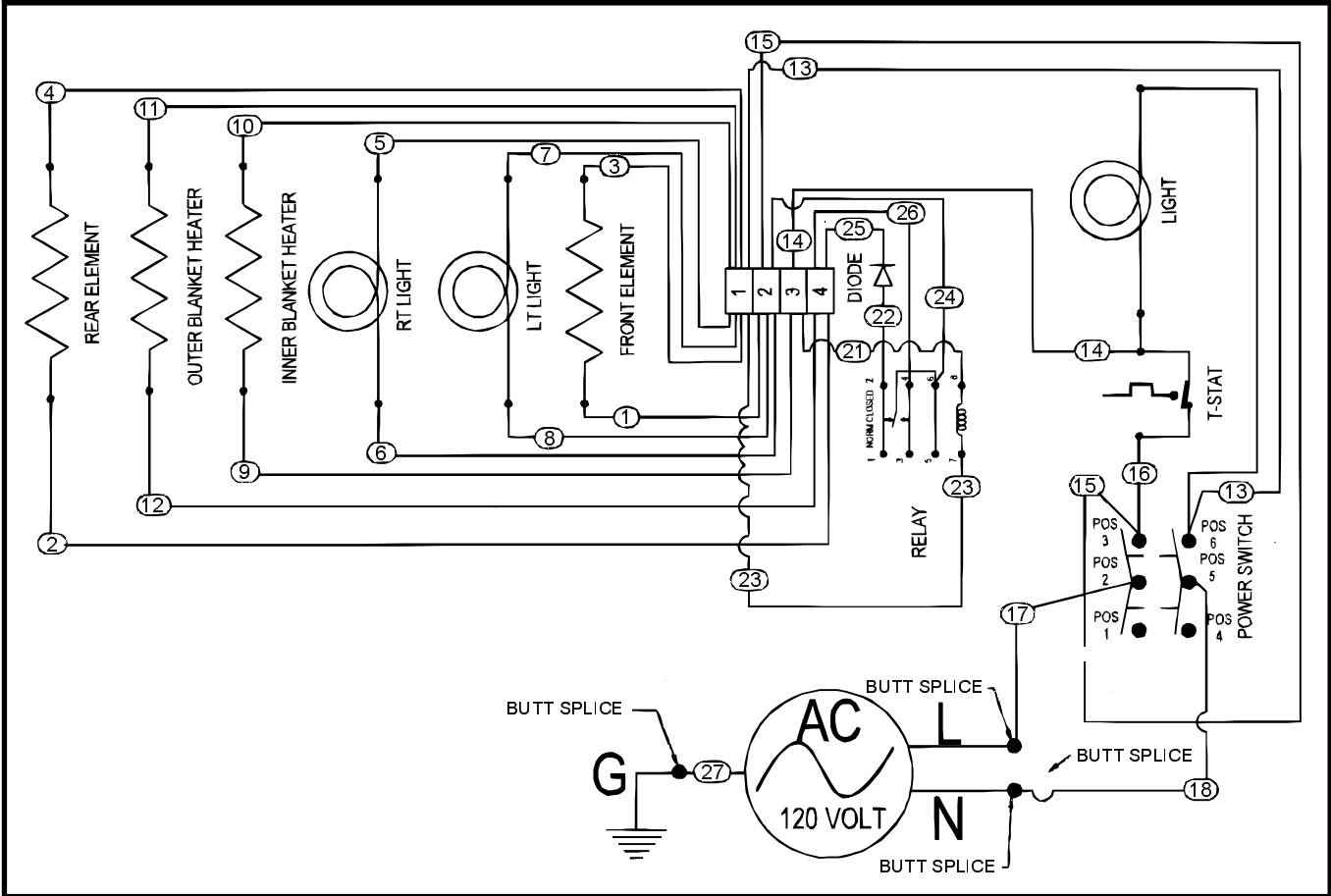
CAUTION: Electrical outlet *must* be configured the same as the plug configuration. Consult your electrician before installing the unit. If the plug configuration is not correct the unit will not function correctly and may damage the unit.

4. DMX ELECTRICAL SPECIFICATIONS

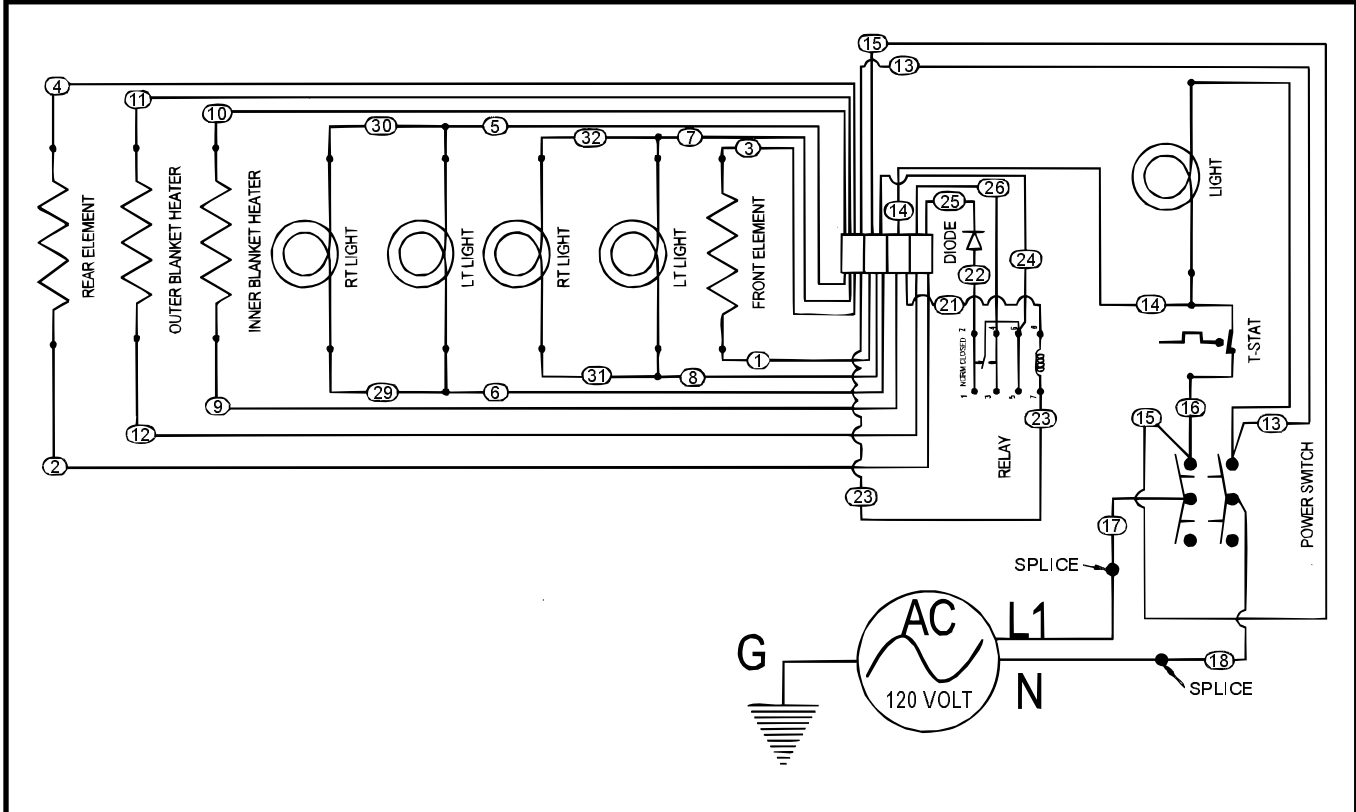
DMX UNITS	OVER HEAD			BOTTOM BLANKET HEATER		TOP BLANKET HEATER		BULBS		TOTAL WATTS	UNIT AMPS
	VOLTS	WATTS	QTY	WATTS	QTY	WATTS	QTY	WATTS	QTY		
DMXS-30S	120	185	2	225	1	NA	NA	60	2	715	5.96
DMXS-30H	120	185	2	225	1	NA	NA	60	2	715	5.96
DMXD-30S	120	185	4	225	1	175	1	60	4	1380	11.5
DMXD-30H	120	185	4	225	1	175	1	60	4	1380	11.5
DMXS-36S	120	235	2	275	1	NA	NA	60	2	865	7.21
DMXS-36H	120	235	2	275	1	NA	NA	60	2	865	7.21
DMXD-36S	120	235	4	275	1	225	1	60	4	1680	14
DMXD-36H	120	235	4	275	1	225	1	60	4	1680	14
DMXS-42S	120	285	2	325	1	NA	NA	60	2	1015	8.46
DMXS-42H	120	285	2	325	1	NA	NA	60	2	1015	8.46
DMXD-42S	120	285	4	325	1	260	1	60	4	1965	16.38
DMXD-42H	120	285	4	325	1	260	1	60	4	1965	16.38
DMXS-48S	120	335	2	350	1	NA	NA	60	4	1260	10.5
DMXS-48H	120	335	2	350	1	NA	NA	60	4	1260	10.5
DMXD-48S	120/208	335	4	350	1	300	1	60	8	2470	10.29
DMXD-48H	120/208	335	4	350	1	300	1	60	8	2470	10.29
DMXS-54S	120	380	2	400	1	NA	NA	60	4	1400	11.67
DMXS-54H	120	380	2	400	1	NA	NA	60	4	1400	11.67
DMXD-54S	120/208	380	4	400	1	325	1	60	8	2725	11.35
DMXD-54H	120/208	380	4	400	1	325	1	60	8	2725	11.35
DMXS-60S	120	435	2	450	1	NA	NA	60	4	1560	13
DMXS-60H	120	435	2	450	1	NA	NA	60	4	1560	13
DMXD-60S	120/208	435	4	450	1	375	1	60	8	3045	12.69
DMXD-60H	120/208	435	4	450	1	375	1	60	8	3045	12.69

WARNING: Plug cabinet into a properly grounded electrical outlet of the correct voltage, size and plug configuration. If the plug and receptacle do not match, contact a qualified electrician to determine the proper voltage and size and install the proper electrical outlet.

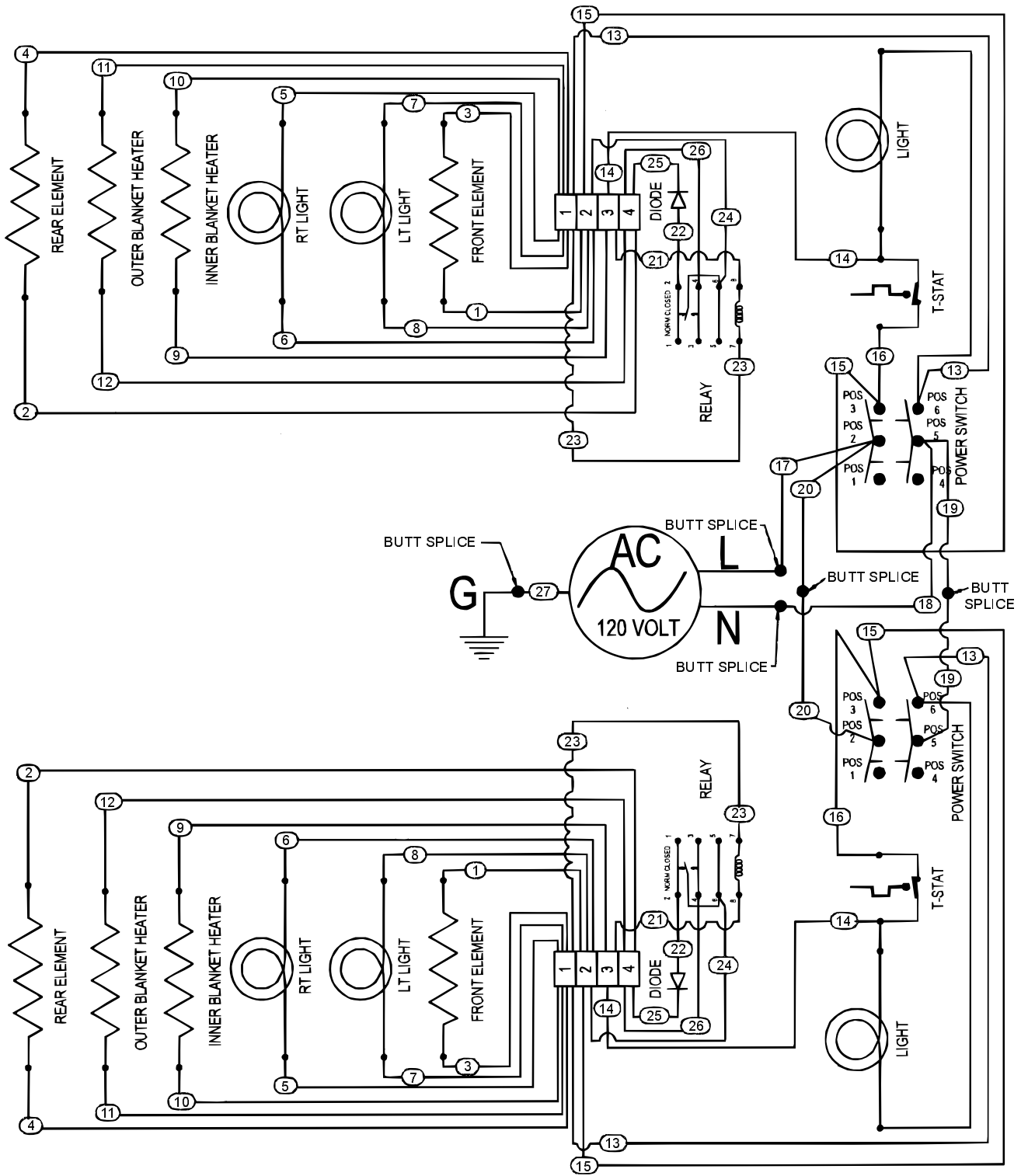
WIRING DIAGRAM 120V UNITS, DMXS-30 THRU 42



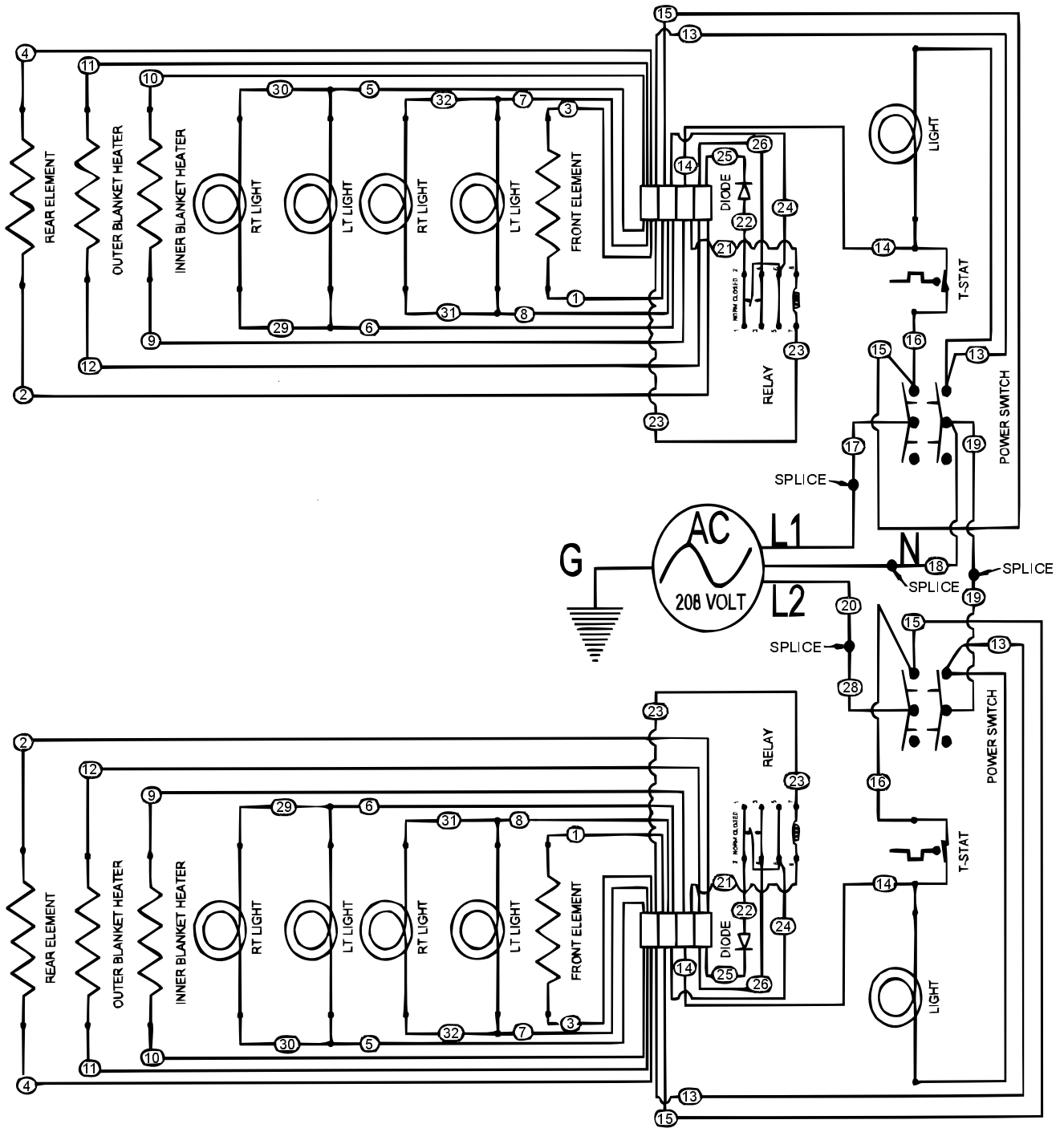
WIRING DIAGRAM 120V UNITS, DMXS-48 THRU 60



WIRING DIAGRAM 120V UNITS, DMXD-30 THRU 42



WIRING DIAGRAM 120/208V UNITS, DMXD-48 THRU 60



5. MAINTENANCE

GENERAL

The APW/Wyott Racer Merchandisers are designed for maximum durability and performance, with minimum maintenance.



WARNING: To avoid any injury, turn the power switch off at the fuse disconnect switch/circuit breaker or unplug the unit from the power source and allow to cool completely before performing any maintenance or cleaning.



WARNING: To avoid electrical shock or personal injury, do not steam clean or use excessive water on the unit.



WARNING: Unit is not waterproof. DO NOT submerge in water. Do not operate if it has been submerged in water. Do not clean the unit with a water jet.



WARNING: To avoid electrical shock, always unplug the unit before performing cleaning or maintenance.



CLEANING

To preserve the bright finish of the Racer Merchandiser, it is recommended that the exterior and interior surfaces be wiped daily with a damp cloth. Stubborn stains may be removed with a good non-abrasive cleanser. Hard to reach areas should be cleaned with a small brush and mild soap.



CAUTION: Use only non-abrasive cleaners. Abrasive cleaners could scratch the finish of your unit, marring it's appearance and making it susceptible to dirt accumulation. Do Not use steel wool, other abrasive cleaners or cleaners/sanitizers containing chlorine, iodine, ammonia or bromine chemicals as these will deteriorate the stainless steel and glass material and shorten the life of the unit.



CAUTION: Do not use a water jet (pressure sprayer) to clean the unit, or component failure could result.



Clean the glass sides using a common glass cleaner.

DISPLAY LIGHT BULB REPLACEMENT

The display light is an incandescent light bulb which illuminates the warming area. The bulb has a special coating to guard against injury and food contamination in the event of breakage.

1. To replace the light bulb, disconnect the power supply and wait until the unit has cooled.
2. Bulbs have a threaded base. Unscrew the light bulb from the unit and replace it with a new specially coated incandescent bulb.

NOTE: APW Wyott shatter-resistant light bulbs meet N.S.F. Standards for food holding and display areas.



WARNING: Only bulbs which meet or exceed N.S.F. Standards, specifically designed for food holding areas must be used. Breakage of bulbs not specially coated could result in personal injury and/or food contamination.



WARNING: If service is required on this unit, contact your authorized APW Wyott Service Agent, or contact the APW Wyott Service Department directly at (214) 421-7366 or (800) 527-2100; fax (214) 565-0976.



WARNING: This product has no "user" serviceable parts. To avoid damage to the unit or injury to personnel, use only Authorized APW Wyott Service Agents and genuine APW Wyott Parts when service is required..



WARNING: Genuine APW Wyott Replacement Parts are specified to operate safely in the environments in which they are used. Some aftermarket or generic replacement parts do not have the characteristics that will allow them to operate safely in APW Wyott equipment. It is essential to use APW Wyott Replacement Parts when repairing APW Wyott equipment. Failure to use APW Wyott Replacement Parts may subject operators of the equipment to hazardous electrical voltage, resulting in electrical shock or burn.



6. ACCESSORIES

STAINLESS STEEL DIVIDER RODS

Additional stainless steel divider rods help to keep product separate in the channels.

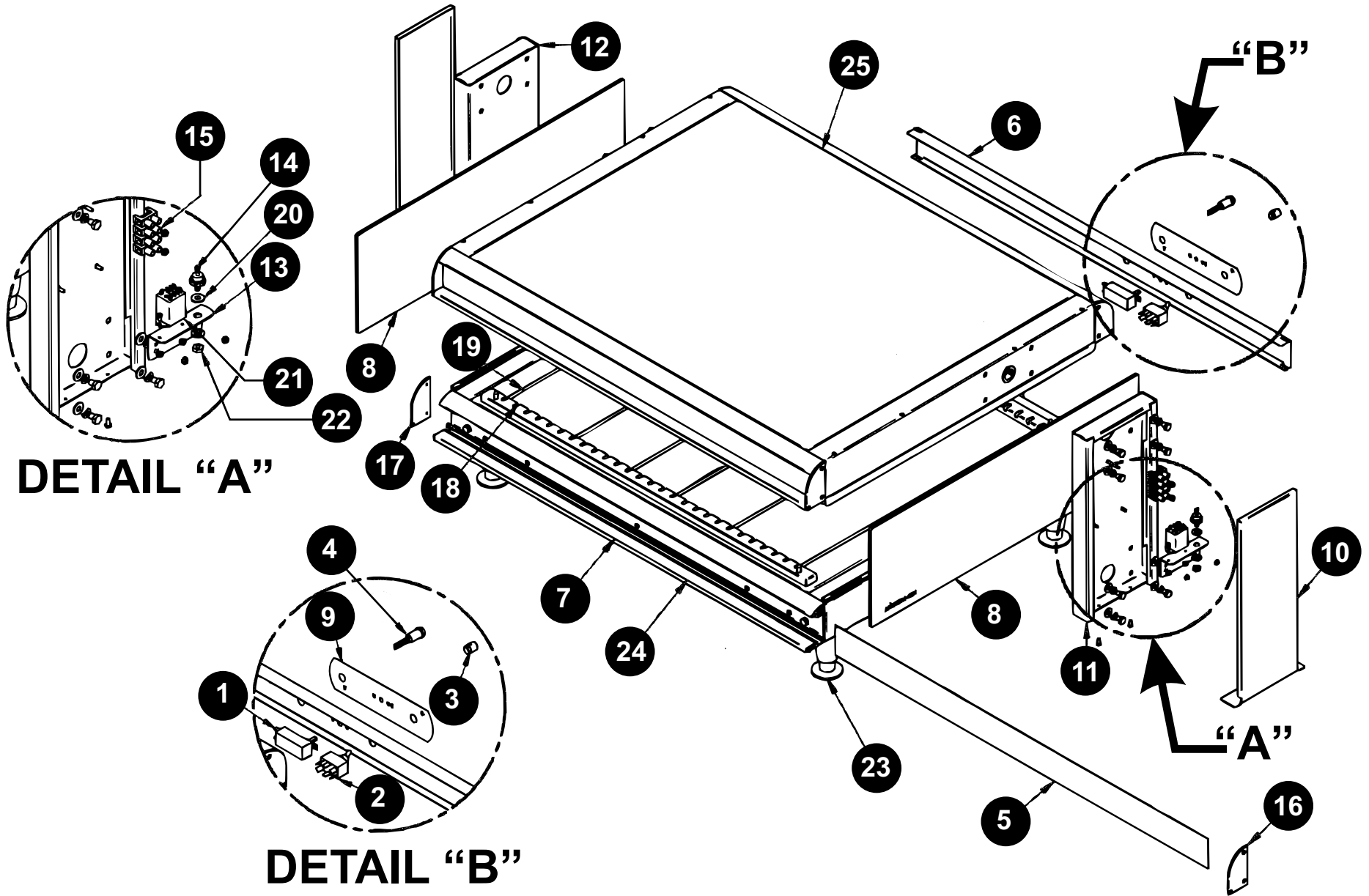
7. PARTS LISTS & EXPLODED VIEWS

PARTS LIST DMXS-H

ITEM	P/N	DESCRIPTION	QTY	UNIT SIZE	ITEM	P/N	DESCRIPTION	QTY	UNIT SIZE
1	1481510	THERMOSTAT	1		8	21779625	GLASS, TEMPERED DMX FLAT	2	
2	1301900	TOGGLE SWITCH DPST	1		9	8816300	DECAL, MECHANDIZER CONTROL PANEL BOTTOM	1	
3	8700700	KNOB	1		10	21779606	COVER, FLAT SIDE SINGLE RED	2	
4	45653000	INDICATOR LIGHT AMBER	1		11	21779786	WELDMENT, RT UPRIGHT FLAT SINGLE	1	
5	21779885	INSERT, EXTRUSION 30" RED	3	30	12	21779680	WELDMENT,LT UPRIGHT FLAT SINGLE	1	
	21779601	INSERT, EXTRUSION 36" RED	3	36	13	21779618	MOUNT, DIODE & RELAY	1	
	21779886	INSERT, EXTRUSION 42" RED	3	42	14	54001400	RECTIFIER 600Vrrm 40AMPS	1	
	21779887	INSERT, EXTRUSION 48" RED	3	48	15	1107301	TERMINAL BLOCK TUBULAR SCREW RAISED BASE	1	
	21779888	INSERT, EXTRUSION 54" RED	3	54	16	21776245	CAP, END RIGHT SIDE	4	
	21779889	INSERT, EXTRUSION 60" RED	3	60	17	21776246	CAP, END LEFT SIDE	4	
6	21779880	PANEL, CONTROL 30" DMX RED	1	30	18	21776276	BRACKET, DIVIDER 30"	4	30
	21779602	PANEL, CONTROL 36" DMX RED	1	36		21776216	BRACKET, DIVIDER 36"	4	36
	21779881	PANEL, CONTROL 42" DMX RED	1	42		21776300	BRACKET, DIVIDER 42"	4	42
	21779882	PANEL, CONTROL 48" DMX RED	1	48		21776323	BRACKET, DIVIDER 48"	4	48
	21779883	PANEL, CONTROL 54" DMX RED	1	54		21776348	BRACKET, DIVIDER 54"	4	54
	21779884	PANEL, CONTROL 60" DMX RED	1	60		21776370	BRACKET, DIVIDER 60"	4	60
7	21779860	EXTRUSION, FRONT SIDE DMX 30" BLACK	3	30	19	21779617	ROD, DIVIDER	10	30
	21779761	EXTRUSION, FRONT SIDE DMX 36" BLACK	3	36		21779617	ROD, DIVIDER	12	36
	21779861	EXTRUSION, FRONT SIDE DMX 42" BLACK	3	42		21779617	ROD, DIVIDER	14	42
	21779862	EXTRUSION, FRONT SIDE DMX 48" BLACK	3	48		21779617	ROD, DIVIDER	16	48
	21779863	EXTRUSION, FRONT SIDE DMX 54" BLACK	3	54		21779617	ROD, DIVIDER	18	54
	21779864	EXTRUSION, FRONT SIDE DMX 60" BLACK	3	60		21779617	ROD, DIVIDER	20	60
N/S	21779865	EXTRUSION, CONTROL SIDE 30" DMX BLACK	1	30	20	54001500	WASHER, SHOULDER FIBRE	2	
N/S	21779766	EXTRUSION, CONTROL SIDE 36" DMX BLACK	1	36	21	1311800	RELAY,SPDT 120V COIL 15 AMPS	1	
N/S	21779866	EXTRUSION, CONTROL SIDE 42" DMX BLACK	1	42	22	8430800	NUT, HEX 1/4-28	1	
N/S	21779867	EXTRUSION, CONTROL SIDE 48" DMX BLACK	1	48	23	8632000	LEG, 4 INCH ADJ. 2000 LB LOAD CAPACITY	4	
N/S	21779868	EXTRUSION, CONTROL SIDE 54" DMX BLACK	1	54	24	21779811	DMXS-30H 120V BASE ASSY FRC-BLACK,INSERTS-RED	1	30
N/S	21779869	EXTRUSION, CONTROL SIDE 60" DMX BLACK	1	60		21779813	DMXS-36H 120V BASE ASSY FRC-BLACK,INSERTS-RED	1	36
N/S	21779715	ELEMENT, 185W 120V 25.438" DMX-30	2	30		21779815	DMXS-42H 120V BASE ASSY FRC-BLACK,INSERTS-RED	1	42
N/S	21779620	ELEMENT, 235W @ 120V DMX 36"	2	36		21779817	DMXS-48H 120V BASE ASSY FRC-BLACK,INSERTS-RED	1	48
N/S	21779716	ELEMENT, 285W 120V 37.438" DMX-42	2	42		21779819	DMXS-54H 120V BASE ASSY FRC-BLACK,INSERTS-RED	1	54
N/S	21779717	ELEMENT, 335W 120V 43.438" DMX-48	2	48		21779821	DMXS-60H 120V BASE ASSY FRC-BLACK,INSERTS-RED	1	60
N/S	21779718	ELEMENT, 380W 120V 49.438" DMX-54	2	54	25	21779828	DMX-30 120V TOP ASSY. FRC-BLACK,INSERTS-RED	1	30
N/S	21779624	ELEMENT, 435W @ 120V DMX 60"	2	60		21779829	DMX-36 120V TOP ASSY FRC-BLACK,INSERTS-RED	1	36
N/S	21779720	ELEMENT, BLANKET 120V 225W 23.750X21.750	1	30		21779830	DMX-42 120V TOP ASSY FRC-BLACK,INSERTS-RED	1	42
N/S	21779671	ELEMENT BLNKT 120V 195W/OUTER 80W/INNER	1	36		21779831	DMX-48 120V TOP ASSY FRC-BLACK,INSERTS-RED	1	48
N/S	21779724	ELEMENT,BLANKET 120V 325W 35.750X21.750	1	42		21779832	DMX-54 120V TOP ASSY FRC-BLACK,INSERTS-RED	1	54
N/S	21779726	ELEMENT,BLANKET 120V 350W 41.750X21.750	1	48		21779833	DMX-60 120V TOP ASSY FRC-BLACK,INSERTS-RED	1	60
N/S	21779728	ELEMENT,BLANKET 120V 400W 47.750X21.750	1	54					
N/S	21779730	ELEMENT,BLANKET 120V 450W 53.750X21.750	1	60					

N/S = NOT SHOWN

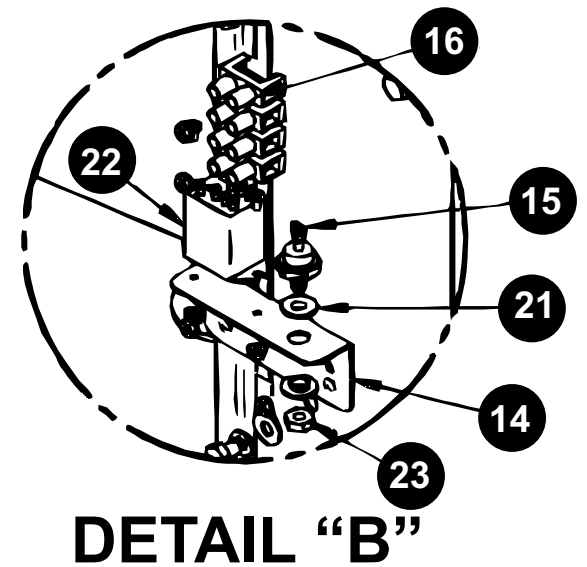
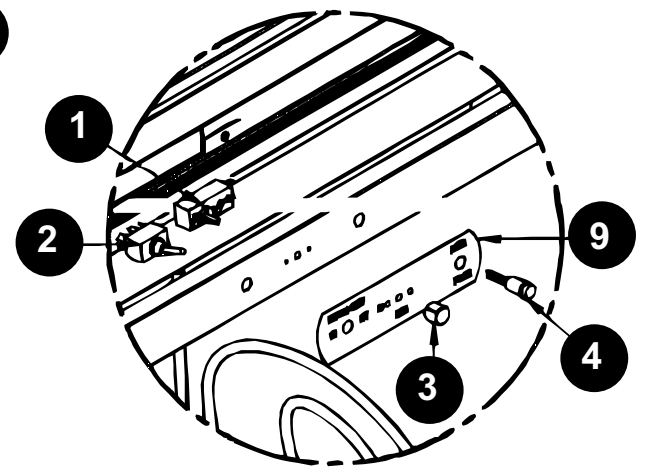
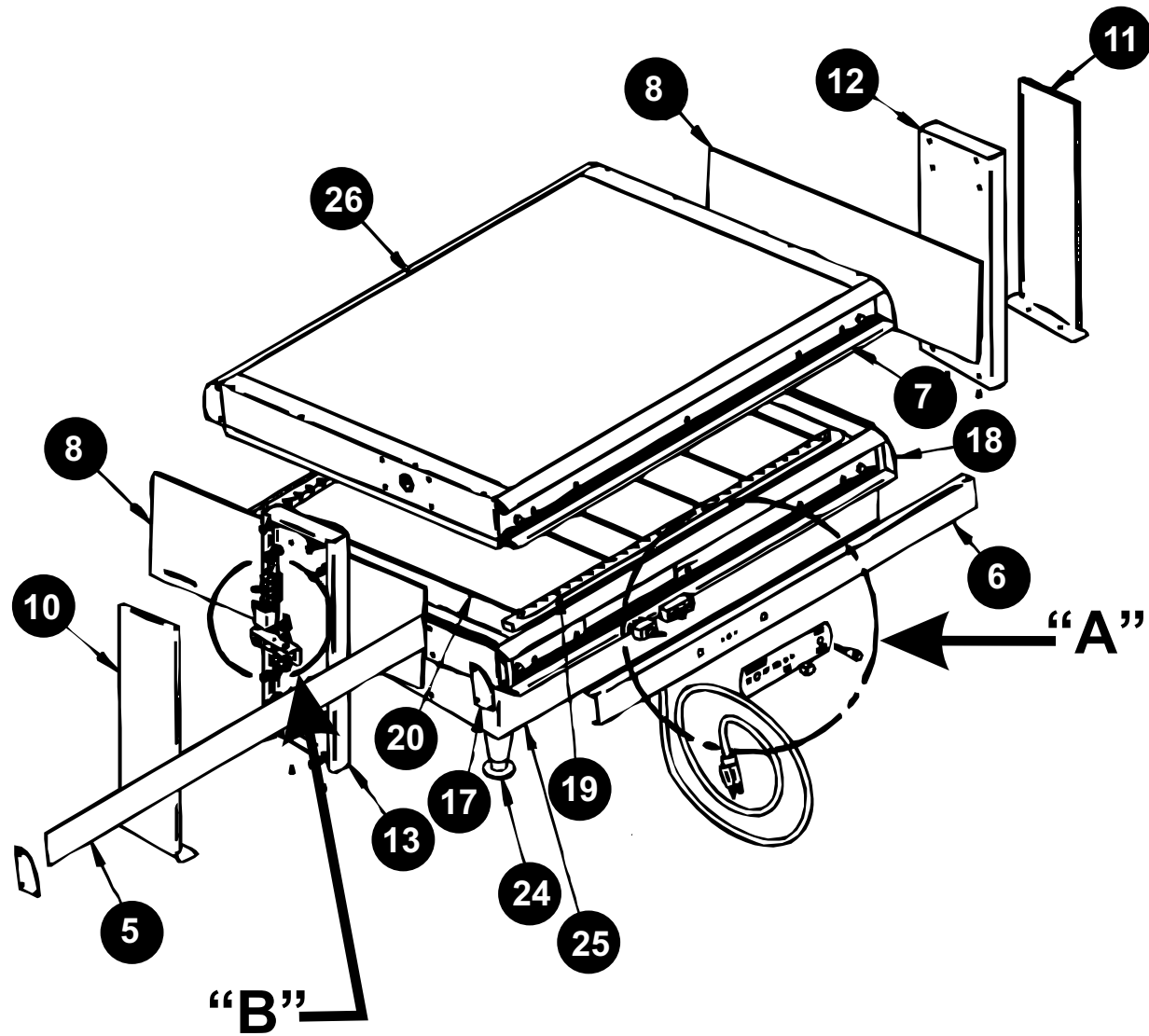
EXPLODED VIEW DMXS-H



PARTS LIST DMXS-S

ITEM	P/N	DESCRIPTION	QTY	UNIT SIZE	ITEM	P/N	DESCRIPTION	QTY	UNIT SIZE
1	1481510	THERMOSTAT	1		8	21779669	GLASS, TEMPERED DMX	2	
2	1301900	TOGGLE SWITCH DPST	1		9	8816300	DECAL, MECHANDIZER CONTROL PANEL BOTTOM	1	
3	8700700	KNOB	1		10	21779608	COVER LT SINGLE SLANT LT SIDE RED	1	
4	45653000	INDICATOR LIGHT AMBER	1		11	21779607	COVER, SINGLE SLANT RT SIDE RED	1	
5	21779885	INSERT, EXTRUSION 30" RED	3	30	12	21779630	UPRIGHT, RT SIDE WELDMENT	1	
	21779601	INSERT, EXTRUSION 36" RED	3	36	13	21779635	UPRIGHT, LT SIDE WELDMENT	1	
	21779886	INSERT, EXTRUSION 42" RED	3	42	14	21779618	MOUNT, DIODE & RELAY	1	
	21779887	INSERT, EXTRUSION 48" RED	3	48	15	54001400	RECTIFIER 600Vrrm 40AMPS	1	
	21779888	INSERT, EXTRUSION 54" RED	3	54	16	1107301	TERMINAL BLOCK TUBULAR SCREW RAISED BASE	1	
	21779889	INSERT, EXTRUSION 60" RED	3	60	17	21776245	CAP, END RIGHT SIDE	4	
6	21779880	PANEL, CONTROL 30" DMX RED	1	30	18	21776246	CAP, END LEFT SIDE	4	
	21779602	PANEL, CONTROL 36" DMX RED	1	36	19	21776276	BRACKET, DIVIDER 30"	2	30
	21779881	PANEL, CONTROL 42" DMX RED	1	42		21776216	BRACKET, DIVIDER 36"	2	36
	21779882	PANEL, CONTROL 48" DMX RED	1	48		21776300	BRACKET, DIVIDER 42"	2	42
	21779883	PANEL, CONTROL 54" DMX RED	1	54		21776323	BRACKET, DIVIDER 48"	2	48
	21779884	PANEL, CONTROL 60" DMX RED	1	60		21776348	BRACKET, DIVIDER 54"	2	54
7	21779860	EXTRUSION, FRONT SIDE DMX 30" BLACK	3	30		21776370	BRACKET, DIVIDER 60"	2	60
	21779761	EXTRUSION, FRONT SIDE DMX 36" BLACK	3	36	20	21779617	ROD, DIVIDER	5	30
	21779861	EXTRUSION, FRONT SIDE DMX 42" BLACK	3	42		21779617	ROD, DIVIDER	6	36
	21779862	EXTRUSION, FRONT SIDE DMX 48" BLACK	3	48		21779617	ROD, DIVIDER	7	42
	21779863	EXTRUSION, FRONT SIDE DMX 54" BLACK	3	54		21779617	ROD, DIVIDER	8	48
	21779864	EXTRUSION, FRONT SIDE DMX 60" BLACK	3	60		21779617	ROD, DIVIDER	9	54
N/S	21779865	EXTRUSION, CONTROL SIDE 30" DMX BLACK	1	30		21779617	ROD, DIVIDER	10	60
N/S	21779766	EXTRUSION, CONTROL SIDE 36" DMX BLACK	1	36	21	54001500	WASHER, SHOULDER FIBRE	2	
N/S	21779866	EXTRUSION, CONTROL SIDE 42" DMX BLACK	1	42	22	1311800	RELAY,SPDT 120V COIL 15 AMPS	1	
N/S	21779867	EXTRUSION, CONTROL SIDE 48" DMX BLACK	1	48	23	8430800	NUT, HEX 1/4-28	1	
N/S	21779868	EXTRUSION, CONTROL SIDE 54" DMX BLACK	1	54	24	8632000	LEG, 4 INCH ADJ. 2000 LB LOAD CAPACITY	4	
N/S	21779869	EXTRUSION, CONTROL SIDE 60" DMX BLACK	1	60	25	21779810	DMX-30S 120V BASE ASSY FRC-BLACK,INSERTS-RED	1	30
N/S	21779715	ELEMENT, 185W 120V 25.438" DMX-30	2	30		21779812	DMX-36S 120V BASE ASSY FRC-BLACK,INSERTS-RED	1	36
N/S	21779620	ELEMENT, 235W @ 120V DMX 36"	2	36		21779834	DMX-42S 120V BASE ASSY FRC-BLACK,INSERTS-RED	1	42
N/S	21779716	ELEMENT, 285W 120V 37.438" DMX-42	2	42		21779836	DMX-48S 120V BASE ASSY FRC-BLACK,INSERTS-RED	1	48
N/S	21779717	ELEMENT, 335W 120V 43.438" DMX-48	2	48		21779838	DMX-54S 120V BASE ASSY FRC-BLACK,INSERTS-RED	1	54
N/S	21779718	ELEMENT, 380W 120V 49.438" DMX-54	2	54		21779840	DMX-60S 120V BASE ASSY FRC-BLACK,INSERTS-RED	1	60
N/S	21779624	ELEMENT, 435W @ 120V DMX 60"	2	60	26	21779828	DMX-30 120V TOP ASSY FRC-BLACK,INSERTS-RED	1	30
N/S	21779720	ELEMENT, BLANKET 120V 225W 23.750X21.750	1	30		21779829	DMX-36 120V TOP ASSY FRC-BLACK,INSERTS-RED	1	36
N/S	21779671	ELEMENT BLNKT 120V 195W/OUTER 80W/INNER	1	36		21779830	DMX-42 120V TOP ASSY FRC-BLACK,INSERTS-RED	1	42
N/S	21779724	ELEMENT,BLANKET 120V 325W 35.750X21.750	1	42		21779831	DMX-48 120V TOP ASSY FRC-BLACK,INSERTS-RED	1	48
N/S	21779726	ELEMENT,BLANKET 120V 350W 41.750X21.750	1	48		21779832	DMX-54 120V TOP ASSY FRC-BLACK,INSERTS-RED	1	54
N/S	21779728	ELEMENT,BLANKET 120V 400W 47.750X21.750	1	54		21779833	DMX-60 120V TOP ASSY FRC-BLACK,INSERTS-RED	1	60
N/S	21779730	ELEMENT,BLANKET 120V 450W 53.750X21.750	1	60			N/S = NOT SHOWN		

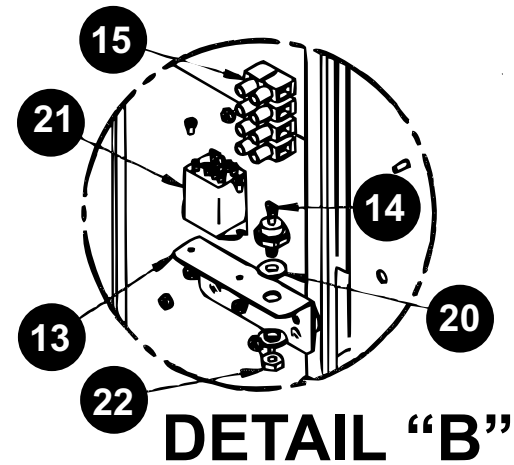
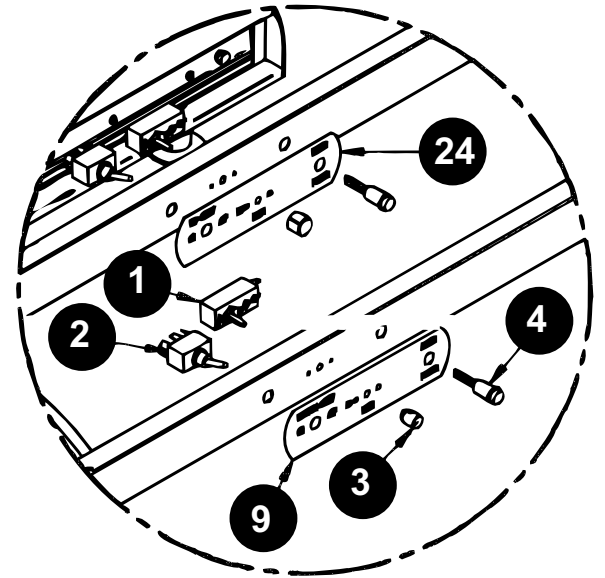
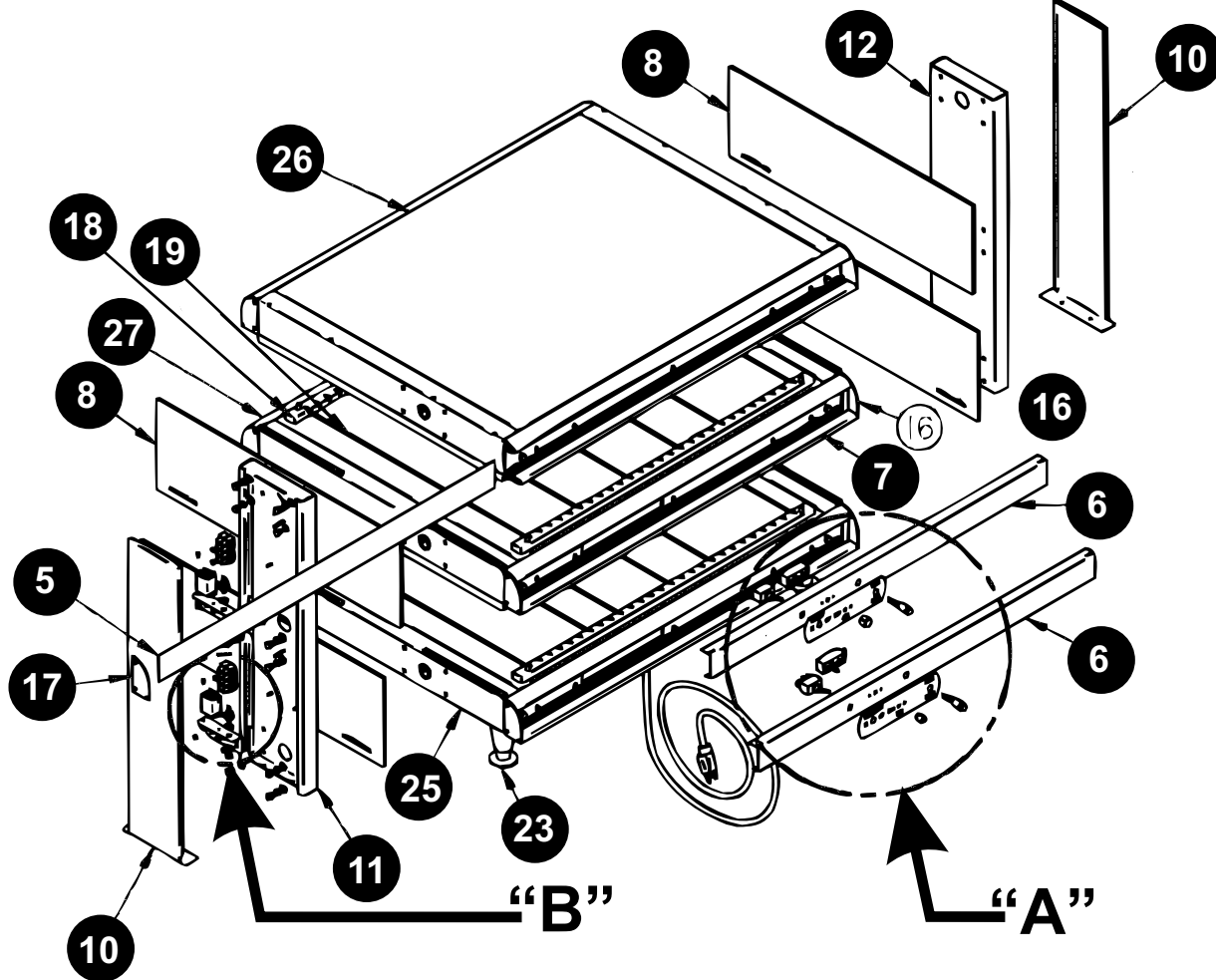
EXPLODED VIEW DMXS-S



PARTS LIST DMXD-H

ITEM	P/N	DESCRIPTION	QTY	UNIT SIZE	ITEM	P/N	DESCRIPTION	QTY	UNIT SIZE
1	1481510	THERMOSTAT	2		11	21779785	WELDMNT, RT UPRIGHT DOUBLE FLAT	1	
2	1301900	TOGGLE SWITCH DPST	2		12	21779685	WELDMNT,LT UPRIGHT DOUBLE FLAT	1	
3	8700700	KNOB	2		13	21779618	MOUNT, DIODE & RELAY	2	
4	45653000	INDICATOR LIGHT AMBER	2		14	54001400	RECTIFIER 600Vrrm 40AMPS	2	
5	21779885	INSERT, EXTRUSION 30" RED	4	30	15	1107301	TERMINAL BLOCK TUBULAR SCREW RAISED BASE	2	
	21779601	INSERT, EXTRUSION 36" RED	4	36	16	21776245	CAP, END RIGHT SIDE	6	
	21779886	INSERT, EXTRUSION 42" RED	4	42	17	21776246	CAP, END LEFT SIDE	6	
	21779887	INSERT, EXTRUSION 48" RED	4	48	18	21776276	BRACKET, DIVIDER 30"	4	30
	21779888	INSERT, EXTRUSION 54" RED	4	54		21776216	BRACKET, DIVIDER 36"	4	36
	21779889	INSERT, EXTRUSION 60" RED	4	60		21776300	BRACKET, DIVIDER 42"	4	42
6	21779880	PANEL, CONTROL 30" DMX RED	2	30		21776323	BRACKET, DIVIDER 48"	4	48
	21779602	PANEL, CONTROL 36" DMX RED	2	36		21776348	BRACKET, DIVIDER 54"	4	54
	21779881	PANEL, CONTROL 42" DMX RED	2	42		21776370	BRACKET, DIVIDER 60"	4	60
	21779882	PANEL, CONTROL 48" DMX RED	2	48	19	21779617	ROD, DIVIDER	10	30
	21779883	PANEL, CONTROL 54" DMX RED	2	54		21779617	ROD, DIVIDER	12	36
	21779884	PANEL, CONTROL 60" DMX RED	2	60		21779617	ROD, DIVIDER	14	42
7	21779860	EXTRUSION, FRONT SIDE DMX 30" BLACK	4	30		21779617	ROD, DIVIDER	16	48
	21779761	EXTRUSION, FRONT SIDE DMX 36" BLACK	4	36		21779617	ROD, DIVIDER	18	54
	21779861	EXTRUSION, FRONT SIDE DMX 42" BLACK	4	42		21779617	ROD, DIVIDER	20	60
	21779862	EXTRUSION, FRONT SIDE DMX 48" BLACK	4	48	20	54001500	WASHER, SHOULDER FIBRE	4	
	21779863	EXTRUSION, FRONT SIDE DMX 54" BLACK	4	54	21	1311800	RELAY,SPDT 120V COIL 15 AMPS	2	
	21779864	EXTRUSION, FRONT SIDE DMX 60" BLACK	4	60	22	8430800	NUT, HEX 1/4-28	2	
N/S	21779865	EXTRUSION, CONTROL SIDE 30" DMX BLACK	2	30	23	8632000	LEG, 4 INCH ADJ. 2000 LB LOAD CAPACITY	4	
N/S	21779766	EXTRUSION, CONTROL SIDE 36" DMX BLACK	2	36	24	8816600	DECAL, MERCHANDISER CONTROL PANEL TOP	1	
N/S	21779866	EXTRUSION, CONTROL SIDE 42" DMX BLACK	2	42	25	21779811	DMXS-30H 120V BASE ASSY FRC-BLACK,INSERTS-RED	1	30
N/S	21779867	EXTRUSION, CONTROL SIDE 48" DMX BLACK	2	48		21779813	DMXS-36H 120V BASE ASSY FRC-BLACK,INSERTS-RED	1	36
N/S	21779868	EXTRUSION, CONTROL SIDE 54" DMX BLACK	2	54		21779815	DMXS-42H 120V BASE ASSY FRC-BLACK,INSERTS-RED	1	42
N/S	21779869	EXTRUSION, CONTROL SIDE 60" DMX BLACK	2	60		21779817	DMXS-48H 120/208V BASE ASSY FRC-BLACK,INSERTS-RED	1	48
N/S	21779715	ELEMENT, 185W 120V 25.438" DMX-30	4	30		21779819	DMXS-54H 120/208V BASE ASSY FRC-BLACK,INSERTS-RED	1	54
N/S	21779620	ELEMENT, 235W @ 120V DMX 36"	4	36		21779821	DMXS-60H 120/208V BASE ASSY FRC-BLACK,INSERTS-RED	1	60
N/S	21779716	ELEMENT, 285W 120V 37.438" DMX-42	4	42	26	21779828	DMX-30 120V TOP ASSY. FRC-BLACK,INSERTS-RED	1	30
N/S	21779717	ELEMENT, 335W 120V 43.438" DMX-48	4	48		21779829	DMX-36 120V TOP ASSY FRC-BLACK,INSERTS-RED	1	36
N/S	21779718	ELEMENT, 380W 120V 49.438" DMX-54	4	54		21779830	DMX-42 120V TOP ASSY FRC-BLACK,INSERTS-RED	1	42
N/S	21779624	ELEMENT, 435W @ 120V DMX 60"	4	60		21779831	DMX-48 120V TOP ASSY FRC-BLACK,INSERTS-RED	1	48
N/S	21779720	ELEMENT, BLANKET 120V 225W 23.750X21.750	1	30		21779832	DMX-54 120V TOP ASSY FRC-BLACK,INSERTS-RED	1	54
N/S	21779671	ELEMENT BLNKT 120V 195W/OUTER 80W/INNER	1	36		21779833	DMX-60 120V TOP ASSY FRC-BLACK,INSERTS-RED	1	60
N/S	21779724	ELEMENT,BLANKET 120V 325W 35.750X21.750	1	42	27	21779822	DMX-30 120V MID ASSY. FRC-BLACK,INSERTS-RED	1	30
N/S	21779726	ELEMENT,BLANKET 120V 350W 41.750X21.750	1	48		21779823	DMX-36 120V MID ASSY FRC-BLACK,INSERTS-RED	1	36
N/S	21779728	ELEMENT,BLANKET 120V 400W 47.750X21.750	1	54		21779824	DMX-42 120V MID ASSY FRC-BLACK,INSERTS-RED	1	42
N/S	21779730	ELEMENT,BLANKET 120V 450W 53.750X21.750	1	60		21779825	DMX-48 120V MID ASSY FRC-BLACK,INSERTS-RED	1	48
8	21779625	GLASS, TEMPERED DMX FLAT	4			21779826	DMX-54 120V MID ASSY FRC-BLACK,INSERTS-RED	1	54
9	8816300	DECAL, MECHANDIZER CONTROL PANEL BOTTOM	1			21779827	DMX-60 120V MID ASSY FRC-BLACK,INSERTS-RED	1	60
10	21779605	COVER, FLAT SIDE SINGLE RED	2				N/S = NOT SHOWN		

EXPLODED VIEW DMXD-H

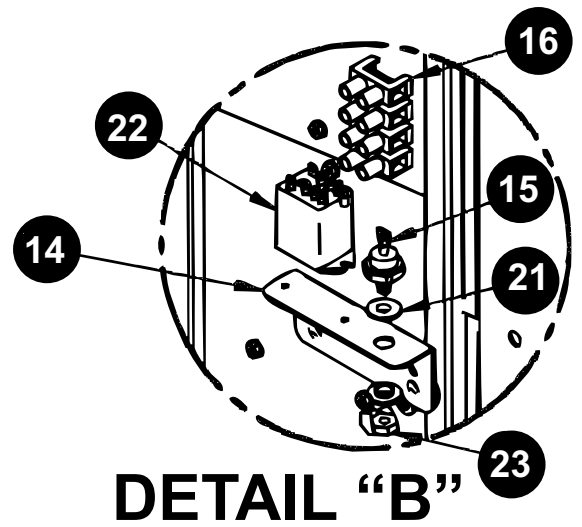
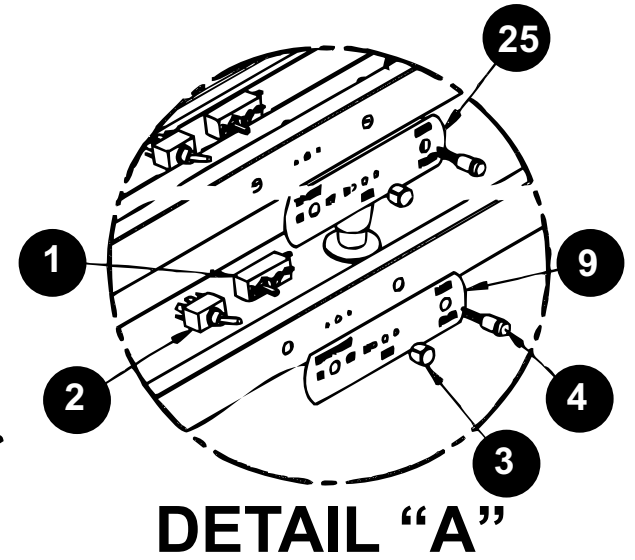
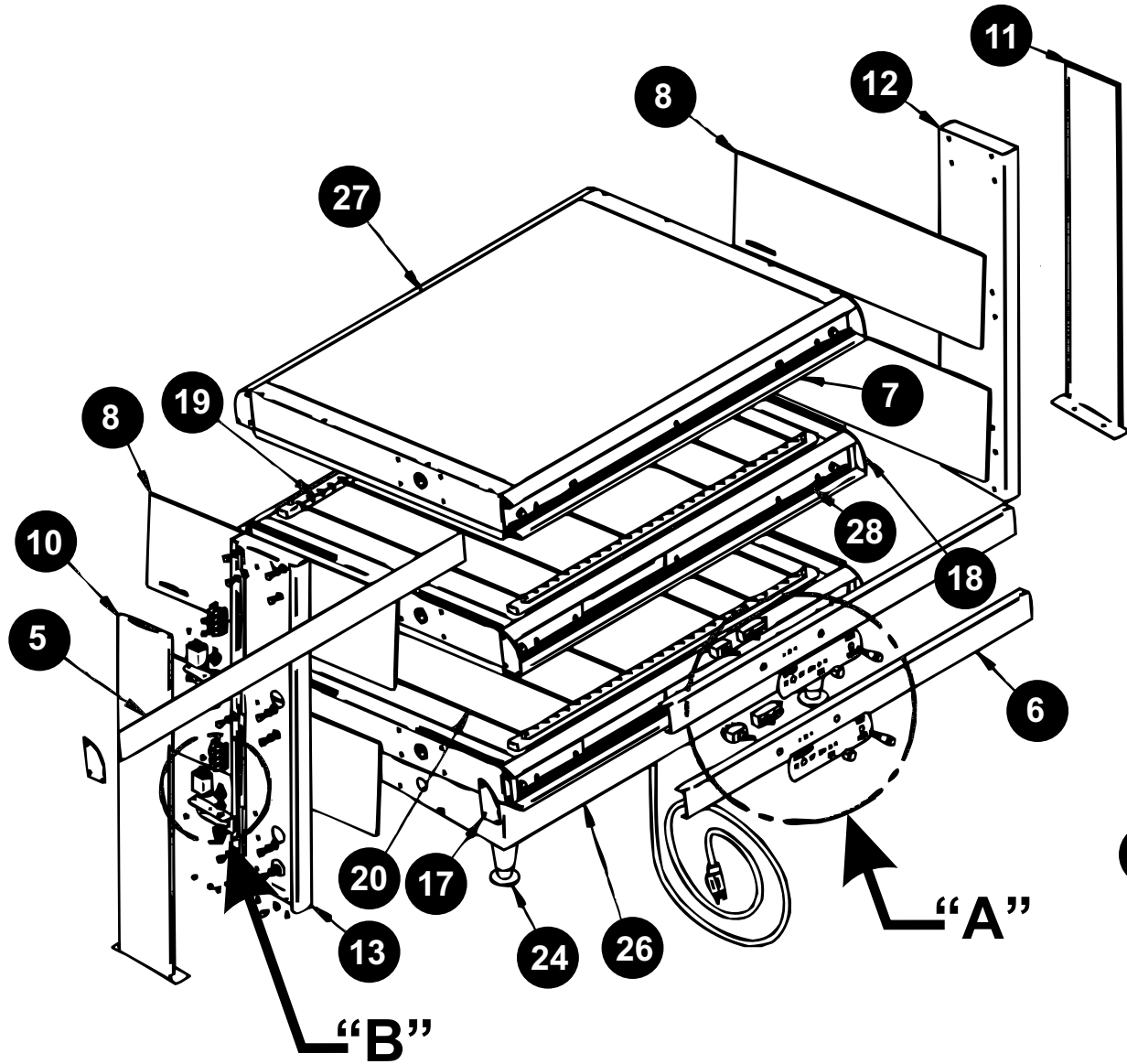


PARTS LIST DMXD-S

ITEM	P/N	DESCRIPTION	QTY	UNIT SIZE	ITEM	P/N	DESCRIPTION	QTY	UNIT SIZE
1	1481510	THERMOSTAT	2		12	21779630	UPRIGHT, RT SIDE WELDMENT	1	
2	1301900	TOGGLE SWITCH DPST	2		13	21779635	UPRIGHT, LT SIDE WELDMENT	1	
3	8700700	KNOB	2		14	21779618	MOUNT, DIODE & RELAY	2	
4	45653000	INDICATOR LIGHT AMBER	2		15	54001400	RECTIFIER 600Vrrm 40AMPS	2	
5	21779885	INSERT, EXTRUSION 30" RED	4	30	16	1107301	TERMINAL BLOCK TUBULAR SCREW RAISED BASE	2	
	21779601	INSERT, EXTRUSION 36" RED	4	36	17	21776245	CAP, END RIGHT SIDE	6	
	21779886	INSERT, EXTRUSION 42" RED	4	42	18	21776246	CAP, END LEFT SIDE	6	
	21779887	INSERT, EXTRUSION 48" RED	4	48	19	21776276	BRACKET, DIVIDER 30"	4	30
	21779888	INSERT, EXTRUSION 54" RED	4	54		21776216	BRACKET, DIVIDER 36"	4	36
	21779889	INSERT, EXTRUSION 60" RED	4	60		21776300	BRACKET, DIVIDER 42"	4	42
6	21779880	PANEL, CONTROL 30" DMX RED	2	30		21776323	BRACKET, DIVIDER 48"	4	48
	21779602	PANEL, CONTROL 36" DMX RED	2	36		21776348	BRACKET, DIVIDER 54"	4	54
	21779881	PANEL, CONTROL 42" DMX RED	2	42		21776370	BRACKET, DIVIDER 60"	4	60
	21779882	PANEL, CONTROL 48" DMX RED	2	48	20	21779617	ROD, DIVIDER	10	30
	21779883	PANEL, CONTROL 54" DMX RED	2	54		21779617	ROD, DIVIDER	12	36
	21779884	PANEL, CONTROL 60" DMX RED	2	60		21779617	ROD, DIVIDER	14	42
7	21779860	EXTRUSION, FRONT SIDE DMX 30" BLACK	4	30		21779617	ROD, DIVIDER	16	48
	21779761	EXTRUSION, FRONT SIDE DMX 36" BLACK	4	36		21779617	ROD, DIVIDER	18	54
	21779861	EXTRUSION, FRONT SIDE DMX 42" BLACK	4	42		21779617	ROD, DIVIDER	20	60
	21779862	EXTRUSION, FRONT SIDE DMX 48" BLACK	4	48	21	54001500	WASHER, SHOULDER FIBRE	4	
	21779863	EXTRUSION, FRONT SIDE DMX 54" BLACK	4	54	22	1311800	RELAY,SPDT 120V COIL 15 AMPS	2	
	21779864	EXTRUSION, FRONT SIDE DMX 60" BLACK	4	60	23	8430800	NUT, HEX 1/4-28	2	
N/S	21779865	EXTRUSION, CONTROL SIDE 30" DMX BLACK	2	30	24	8632000	LEG, 4 INCH ADJ. 2000 LB LOAD CAPACITY	4	
N/S	21779766	EXTRUSION, CONTROL SIDE 36" DMX BLACK	2	36	25	8816600	DECAL, MERCHANDISER CONTROL PANEL TOP	1	
N/S	21779866	EXTRUSION, CONTROL SIDE 42" DMX BLACK	2	42	26	21779810	DMX-30S 120V BASE ASSY FRC-BLACK, INSERTS-RED	1	30
N/S	21779867	EXTRUSION, CONTROL SIDE 48" DMX BLACK	2	48		21779812	DMX-36S 120V BASE ASSY FRC-BLACK, INSERTS-RED	1	36
N/S	21779868	EXTRUSION, CONTROL SIDE 54" DMX BLACK	2	54		21779814	DMX-42S 120V BASE ASSY FRC-BLACK, INSERTS-RED	1	42
N/S	21779869	EXTRUSION, CONTROL SIDE 60" DMX BLACK	2	60		21779816	DMX-48S 120/208V BASE ASSY FRC-BLACK, INSERTS-RED	1	48
N/S	21779715	ELEMENT, 185W 120V 25.438" DMX-30	4	30		21779818	DMX-54S 120/208V BASE ASSY FRC-BLACK, INSERTS-RED	1	54
N/S	21779620	ELEMENT, 235W @ 120V DMX 36"	4	36		21779820	DMX-60S 120/208V BASE ASSY FRC-BLACK, INSERTS-RED	1	60
N/S	21779716	ELEMENT, 285W 120V 37.438" DMX-42	4	42	27	21779828	DMX-30 120V TOP ASSY FRC-BLACK, INSERTS-RED	1	30
N/S	21779717	ELEMENT, 335W 120V 43.438" DMX-48	4	48		21779829	DMX-36 120V TOP ASSY FRC-BLACK, INSERTS-RED	1	36
N/S	21779718	ELEMENT, 380W 120V 49.438" DMX-54	4	54		21779830	DMX-42 120V TOP ASSY FRC-BLACK, INSERTS-RED	1	42
N/S	21779624	ELEMENT, 435W @ 120V DMX 60"	4	60		21779831	DMX-48 120V TOP ASSY FRC-BLACK, INSERTS-RED	1	48
N/S	21779720	ELEMENT, BLANKET 120V 225W 23.750X21.750	1	30		21779832	DMX-54 120V TOP ASSY FRC-BLACK, INSERTS-RED	1	54
N/S	21779671	ELEMENT, BLNKT 120V 195W/OUTER 80W/INNER	1	36		21779833	DMX-60 120V TOP ASSY FRC-BLACK, INSERTS-RED	1	60
N/S	21779724	ELEMENT, BLANKET 120V 325W 35.750X21.750	1	42	28	21779822	DMX-30 120V MID ASSY. FRC-BLACK, INSERTS-RED	1	30
N/S	21779726	ELEMENT, BLANKET 120V 350W 41.750X21.750	1	48		21779823	DMX-36 120V MID ASSY FRC-BLACK, INSERTS-RED	1	36
N/S	21779728	ELEMENT, BLANKET 120V 400W 47.750X21.750	1	54		21779824	DMX-42 120V MID ASSY FRC-BLACK, INSERTS-RED	1	42
N/S	21779730	ELEMENT, BLANKET 120V 450W 53.750X21.750	1	60		21779825	DMX-48 120V MID ASSY FRC-BLACK, INSERTS-RED	1	48
8	21779625	GLASS, TEMPERED DMX FLAT	4			21779826	DMX-54 120V MID ASSY FRC-BLACK, INSERTS-RED	1	54
9	8816300	DECAL, MECHANDIZER CONTROL PANEL BOTTOM	1			21779827	DMX-60 120V MID ASSY FRC-BLACK, INSERTS-RED	1	60
10	21779608	COVER LT SINGLE SLANT LT SIDE RED	1						
11	21779607	COVER, SINGLE SLANT RT SIDE RED	1						

N/S = NOT SHOWN

EXPLODED VIEW DMXD-S



8. APW WYOTT EQUIPMENT LIMITED WARRANTY

APW Wyott Foodservice Equipment Company warrants its equipment against defects in materials and workmanship, subject to the following conditions:

This warranty applies to the original owner only and is not assignable.

Should any product fail to function in its intended manner under normal use within the limits defined in this warranty, at the option of APW Wyott such product will be repaired or replaced by APW Wyott or its Authorized Service Agency. APW Wyott will only be responsible for charges incurred or service performed by its Authorized Service Agencies. The use of other than APW Wyott Authorized Service Agencies will void this warranty and APW Wyott will not be responsible for such work or any charges associated with same. The closest APW Wyott Authorized Service Agent must be used.

This warranty covers products shipped into the 48 contiguous United States, Hawaii, metropolitan areas of Alaska and Canada. There will be no labor coverage for equipment located on any island not connected by roadway to the mainland.

Warranty coverage on products used outside the 48 contiguous United States, Hawaii, and metropolitan areas of Alaska and Canada may vary. Contact the international APW Wyott distributor, dealer, or service agency for details.

Time Period

One year for parts and one year for labor, effective from the date of purchase by the original owner. The Authorized Service Agency may, at their option, require proof of purchase. Parts replaced under this warranty are warranted for the un-expired portion of the original product warranty only.

Exceptions

- ***Gas/Electric Cookline:** Models GCB, GCRB, GF, GGM, GGT, CHP-H, EF, EG, EHP. Three (3) Year Warranty on all component parts, except switches and thermostats. (2 additional years on parts only. No labor on second or third year.)
- ***Broiler Briquettes, Rock Grates, Cooking Grates, Burner Shields, Fireboxes:** 90 Day Material Only. No Labor.
- ***Heat Strips:** Models FD, FDL, FDD, FDDL. Two (2) Year Warranty on element only. No labor second year.
- ***Glass Windows, Doors, Seals, Rubber Seals, Light Bulbs:** 90 Day Material Only. No Labor.

In all cases, parts covered by extended warranty will be shipped FOB the factory after the first year.

Portable Carry In Products

Equipment weighing over 70 pounds or permanently installed will be serviced on-site as per the terms of this warranty. Equipment weighing 70 pounds or under, and which is not permanently installed, i.e. with cord and plug, is considered portable and is subject to the following warranty handling limitations. If portable equipment fails to operate in its intended manner on the first day of connection, or use, at APW Wyott's option or its Authorized Service Agency, it will be serviced on site or replaced.

From day two through the conclusion of this warranty period, portable units must be taken to or sent prepaid to the APW Wyott Authorized Service Agency for in-warranty repairs. No mileage or travel charges are allowed on portable units after the first day of use. If the customer wants on-site service, they may receive same by paying the travel and mileage charges. Exceptions to this rule: (1) countertop warmers and cookers, which are covered under the Enhanced Warranty Program, and (2) toasters or rollergrills which have in store service.

Exclusions

The following conditions are not covered by warranty:

- *Equipment failure relating to improper installation, improper utility connection or supply and problems due to ventilation.
- *Equipment that has not been properly maintained, calibration of controls, adjustments, damage from improper cleaning and water damage to controls.
- *Equipment that has not been used in an appropriate manner, or has been subject to misuse or misapplication, neglect, abuse, accident, alteration, negligence, damage during transit, delivery or installation, fire, flood, riot or act of god.
- *Equipment that has the model number or serial number removed or altered.

If the equipment has been changed, altered, modified or repaired by other than an Authorized Service Agency during or after the warranty period, then the manufacturer shall not be liable for any damages to any person or to any property, which may result from the use of the equipment thereafter.

This warranty does not cover services performed at overtime or premium labor rates. Should service be required at times which normally involve overtime or premium labor rates, the owner shall be charged for the difference between normal service rates and such premium rates. APW Wyott does not assume any liability for extended delays in replacing or repairing any items beyond its control.

In all cases, the use of other than APW Wyott Authorized OEM Replacement Parts will void this warranty.

This equipment is intended for commercial use only. Warranty is void if equipment is installed in other than commercial application.

Water Quality Requirements

Water supply intended for a unit that has in excess of 3.0 grains of hardness per gallon (GPG) must be treated or softened before being used. Water containing over 3.0 GPG will decrease the efficiency and reduce the operation life of the unit.

Note: Product failure caused by liming or sediment buildup is not covered under warranty.

"THE FOREGOING WARRANTY IS IN LIEU OF ANY AND ALL OTHER WARRANTIES EXPRESSED OR IMPLIED INCLUDING ANY IMPLIED WARRANTY OF MERCHANTABILITY OR FITNESS FOR PARTICULAR PURPOSES AND CONSTITUTES THE ENTIRE LIABILITY OF APW WYOTT. IN NO EVENT DOES THE LIMITED WARRANTY EXTEND BEYOND THE TERMS STATED HEREIN."

9/05